



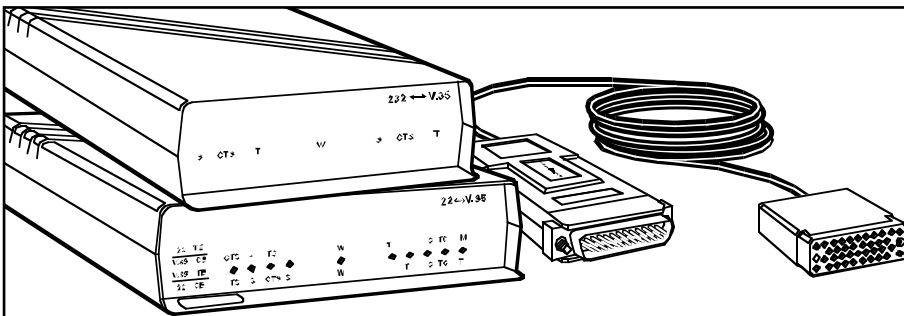
BLACK BOX[®]

NETWORK SERVICES

© 2004. All rights reserved.
Black Box Corporation.

Black Box Network Services • 464 Basingstoke Road • Reading, Berkshire, RG2 0BG • Tech Support: 0118 965 6000 • www.blackbox.co.uk • e-mail: techhelp@blackbox.co.uk

V.35 INTERFACE CONVERTERS



**Match up your V.35 and RS-232/V.24
or RS-422 equipment—just add a
V.35 Interface Converter!**

Key Features

- ▶ **Bidirectional data conversion in three formats:**
 - RS-232↔V.35
 - RS-422↔V.35
 - MicroConverter RS-232/V.24↔V.35.
- ▶ **DCE or DTE jumper-selectable.**
- ▶ **Transparent to speed and protocol.**
- ▶ **Maximum speeds of 64 kbps (RS-232↔V.35 models), 200 kbps (MicroConverter RS-232/V.24↔V.35 models), and 2.5 Mbps (RS-422↔V.35 models).**

RS-232, RS-422, and V.24 interfaces are incompatible with V.35, aren't they? Not when you use a Black Box V.35 Interface Converter.

Choose from two standalone, two rackmount card, and four micro models. These converters are bidirectional data converters, DCE or DTE switch-selectable on each end, and transparent to speed and protocol. Configure each side of the converter as a DCE or DTE. The side that's configured as a DCE connects to a DTE. And the side that's configured as a DTE connects to a DCE. With the converters, you can only connect a DCE to a DTE, and vice versa. You cannot connect two DCEs or two DTEs together using the converter.

The micro models are also interface-powered, so no AC power is required.

In a typical application, your V.35 modem connects to your

RS-232 or RS-422 terminal via one of our V.35 interface converters. Connect one side of the converter to V.35 cable and the other side to RS-232 cable. Your incompatible devices can now talk to each other.

RS-232↔V.35 Interface Converter and RS-422↔V.35 Interface Converter

These converters are available as a standalone box or a rackmountable card. Choose 115- or 230-VAC versions.

The converters provide bidirectional conversion of all commonly used V.35 and RS-232 signals. One port is configured as DTE (for RS-232/RS-422 or V.35 terminal equipment) and the other is DCE (for RS-232/RS-422 or V.35 modem equipment). This model, too, connects a DTE to a DCE, or vice versa, but not a DTE to DTE nor DCE to DCE.

MicroConverter RS-232/V.24↔V.35

Used in synchronous applications, this converter operates at speeds up to 64 kbps. It connects a V.24 interface to a V.35 interface. It converts the physical as well as the electrical interface.

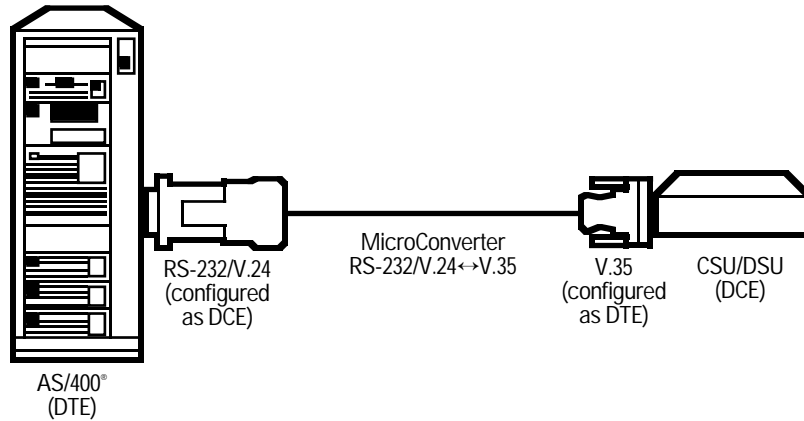
This bidirectional data converter includes an integral 6.5-ft. (2-m) cable with a 34-pin, V.35 male or female connector on one end. So you save the cost of a cable.

And the converter operates without AC power, using ultra-low power from the DTE and DCE equipment's data and control signals.

The pocket-sized converter weighs less than a pound—including cable and connector. It'll fit just about anywhere.

It's plug-and-play, lightweight, and compact for easy installation.

**The MicroConverter
RS-232/V.24↔V.35
allows two
incompatible pieces
of equipment to
communicate.**



Specifications

RS-232↔V.35

Speed: Up to 64 kbps

Operation: Synchronous,
transparent to protocol

User Controls: (1) DCE/DTE switch

Interface: RS-232, V.35; both
interfaces DTE/DCE selectable

Connectors: RS-232: DB25 male;
V.35: (1) 34-pin female "M" block

Power: 115 VAC, 60 Hz, 13 watts
(230-VAC model available on
request)

Size: IC221A-R3: 2.1"H x 8.8"W x
11.5"D (5.3 x 22.4 x 29.2 cm);
IC221C-R3: 1.2"H x 7.5"W x 10.5"D
(3 x 19.1 x 26.7 cm)

Weight: 2 lb. (0.9 kg)

RS-422↔V.35

Speed: Up to 2.5 Mbps

Operation: Synchronous,
transparent to protocol

User Controls: (1) DCE/DTE switch

Interface: RS-422, V.35

Connectors: RS-422: (1) DB37
female (pinned to RS-449
specifications);
V.35: (1) female 34-pin "M" Block

Power: 115 VAC, 60 Hz, 16 watts
(230-VAC model available on
request)

Size: IC483A-R2: 2.3"H x 8"W x 11.9"D
(5.8 x 20.3 x 30.2 cm);
IC483C-R2: 1.2"H x 7.5"W x 10.5"D
(3 x 19.1 x 26.7 cm)

Weight: 2 lb. (0.9 kg)

MicroConverter RS-232/V.24↔ V.35

Speed: Up to 200 kbps

Operation: Synchronous,
transparent to protocol

Cable Length: 6.5 ft. (2 m)

User Controls: (1) DCE/DTE switch

Interface: V.24/RS-232, V.35

Connectors: IC720A-M: (1) DB25
male, (1) M/34 male;
IC720A-F: (1) DB25 male,
(1) M/34 female;

Connectors (continued):

IC721A-F: (1) DB25 female,
(1) M/34 female;
IC721A-M: (1) DB25 female,
(1) M/34 male

Power: From the interface

Size: 0.9"H x 2.1"W x 4.3"D (2.3 x 5.3 x
10.9 cm)

Weight: 0.9 lb. (0.4 kg), including
cable and connector

What's Included

RS-232↔V.35 and RS-422↔V.35 Interface Converters

- (1) Converter, housed in a sturdy black box
- (1) Power adapter
- (1) Users' manual

MicroConverter RS-232/V.24↔V.35

- (1) Converter, built into an oversized connector hood
- (1) 6.5-foot (2-m) attached cable
- (1) 34-pin male or female V.35 or V.24 connector (please specify gender)
- (1) Users' manual.

Ordering Information

ITEM	CODE
RS-232↔V.35 Interface Converter	
Standalone	IC221A-R3
Rackmount Card	IC221C-R3
RS-422↔V.35 Interface Converter	
Standalone	IC483A-R2
Rackmount Card	IC483C-R2
MicroConverter RS-232/V.24↔V.35	
DB25 Male, M/34 Male	IC720A-M
DB25 Male, M/34 Female	IC720A-F
DB25 Female, M/34 Female	IC721A-F
DB25 Female, M/34 Male	IC721A-M
<i>You might also need...</i>	
V.35 Interface Cable, 10-ft. (3-m), Male/Male	EYN450-0010-MM
RS-232 Cable, 25-Conductor, DB25 Male/DB25 Male, 10-ft. (3-m)	ECM25C-0010-MM