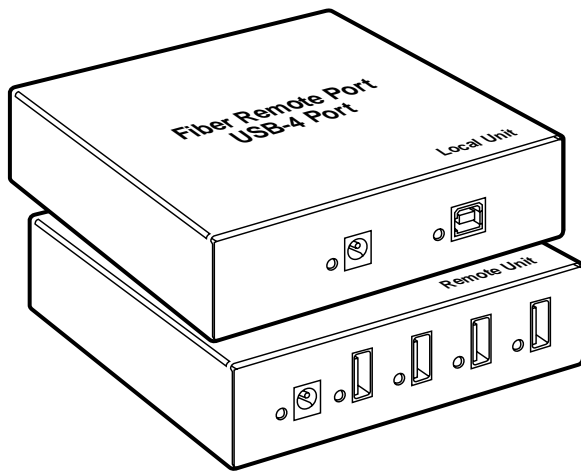


BLACK BOX[®]

NETWORK SERVICES

FIBER REMOTE PORT USB



Place USB devices up to 500 meters from their host.

Key Features

- ▶ **Connect up to four USB devices to the remote extender unit. Run links up to 500 meters (1640.4 ft.) to each device.**
- ▶ **Fully compliant with USB 1.1.**
- ▶ **Compatible with most operating systems.**
- ▶ **Easy installation, plug-and-play operation.**
- ▶ **All the security of fiber.**

The Fiber Remote Port USB overcomes the standard 5-meter (16.4-ft.) distance limitation for connecting USB peripherals. How? By transmitting USB signals across fiber optic cabling. The Fiber Remote Port USB gives you access to USB devices that don't have to be at the same desk you are, or even in the same room or building.

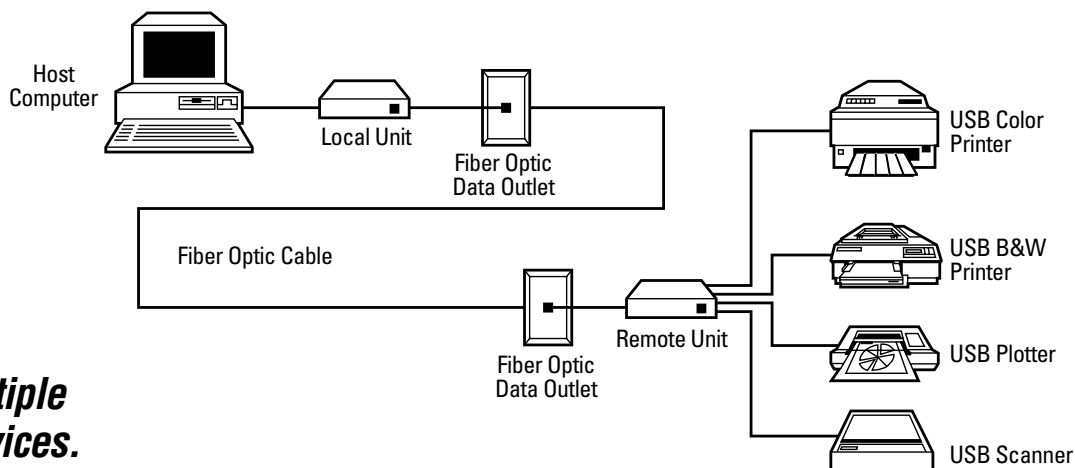
The Fiber Remote Port USB consists of a local unit and a remote unit. The local unit can be connected to a host computer with a standard Type A to Type B USB cable (a 2-m [6.5-ft.] cable is included). The remote unit can be connected to as many as four USB peripherals using additional standard Type A to Type B USB cables (not included). Both units are powered by identical external AC power supplies. You can run up to 500 m (1640.4 ft.) of duplex

fiber optic cabling between the units. This cabling must be terminated with MT-RJ connectors at both ends.

The Fiber Remote Port USB provides support for low-speed USB (1.5-Mbps) devices, such as keyboards and mice, and high-speed USB (12-Mbps) devices like Webcams and printers. It's compatible with most operating systems—whether they're

Windows[®] 98/Me/2000/XP, Macintosh[®] OS X, or Linux[®]. That's because the Fiber Remote Port USB appears as a generic USB hub to the operating system. There's no software to install, and it's plug-and-play.

Best of all, fiber optic connections mean your data is secure and communications aren't affected by EMI/RFI emissions.



Connect multiple colocated devices.

Specifications

Approvals: CE (EN 55022 Class A, EN 55024, EN 61003-2, EN61003-3); FCC Part 15 Class A, IC Class/classe A; USB-IF

Cable Required:

Between local and remote units: Duplex 62.5-/125- μ m multimode or 50-/125- μ m single-mode fiber optic cable terminated with MT-RJ M connectors;

Between local unit and attached USB host: USB Type A to Type B cable (a 2-m [6.5-ft.] cable is included);

Between remote unit and attached USB devices: Devices with hardwired Type A cords plug directly into the remote unit; otherwise, you'll need a USB Type A to Type B cable (not included) for each device

Distance (Maximum):

Multimode or single-mode fiber: 500 m (1640.4 ft.) between local and remote units;
 USB: 5 m (16.4 ft.)

Enclosure: Steel

Environmental Tolerance:

Temperature: 39 to 104°F (4 to 40°C);
 Humidity: 10 to 90% noncondensing

Speed: 1.5 or 12 Mbps (passed through) depending on transmission speed of attached devices

Standards: USB 1.1

Transmission: Transparent to users (automatic, no delay)

Connectors:

Local unit:
 Front-mounted:
 (1) USB Type B F (upstream),
 (1) 2.1-mm center-positive barrel jack for power;

Rear-mounted:
 (1) MT-RJ F (downstream);

Remote unit:
 Front-mounted:
 (4) USB Type A F (downstream), (1) 2.1-mm center-positive barrel jack for power;

Rear-mounted:
 (1) MT-RJ F (upstream)

Indicators:

Local unit:
 Front-mounted LEDs:
 (1) power, (1) host communication;

Rear-mounted LED:
 (1) fiber link;

Remote unit:
 Front-mounted LEDs:
 (1) power, (4) device communication;

Rear-mounted LED:
 (1) fiber link

Power:

For each unit: From utility-power (mains) outlet through detachable input cord and IEC 320 inlet to external transformer:
 Input to transformer: 100 to 240 VAC, 47 to 63 Hz, autosensing;
 Output from transformer: 15 VDC at up to 1 amp;
 Output on USB ports (remote unit only): 5 VDC at 500 mA;

Typical consumption:
 Local unit: Up to 2 watts;
 Remote unit: Up to 12 watts depending on power drawn by attached USB devices

Size: Each unit: 1.5"H x 4.2"W x 4.5"D (3.8 x 10.7 x 11.4 cm)

Weight: Each unit: 0.6 lb. (0.3 kg)

What the Package Includes

- (1) local unit
- (1) remote unit
- (2) identical AC power supplies, (1) for each unit
- (2) identical AC input cords, (1) for each power supply
- (1) standard 2-m (6.5-ft.) Type A to Type B USB cable
- Users' manual

Ordering Information

ITEM	CODE
Fiber Remote Port USB.....	!IC243A
<i>For optimum performance and a 20% savings, order...</i>	
USB Version 1.1 Cable.....	USB01
MT-RJ-MT-RJ Multimode Fiber Optic Cable, Duplex, PVC, 62.5- μ m/125- μ m.....	EFP080