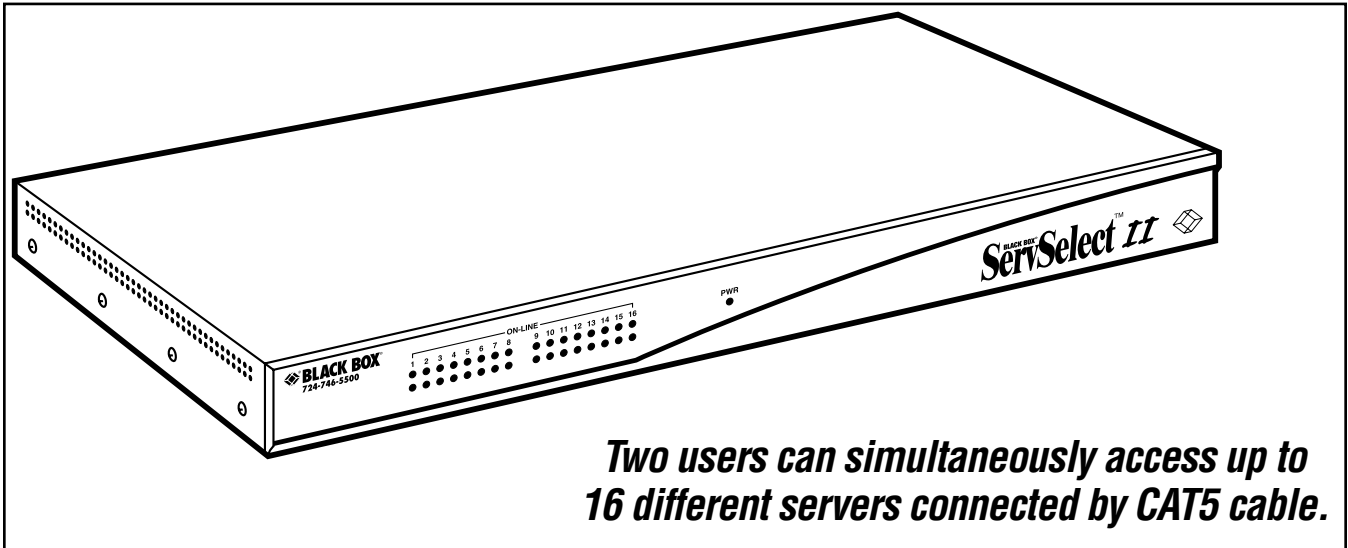


BLACK BOX[®]

NETWORK SERVICES

SERVSELECT II



Two users can simultaneously access up to 16 different servers connected by CAT5 cable.

Key Features

- ▶ **Works in PS/2, USB, and Sun server environments.**
- ▶ **On-screen menus enable easy setup and operation.**
- ▶ **Next-generation user interface enhances user access and future firmware upgrades.**
- ▶ **Password protection.**
- ▶ **View servers three different ways.**
- ▶ **Resolution up to 1600 x 1280 at 75 Hz.**
- ▶ **Rackmountable.**

Two users can access up to 16 servers simultaneously with the ServSelect II. What's more, the servers are accessed over inexpensive CAT5 cable—which you may already have on hand!

ServSelect II uses a Server Access Module for each server connection. These modules enable you to connect the switch to servers with either PS/2® style connectors, USB connectors, or Sun® connectors. We even carry an adapter that enables you to connect the ServSelect II to older Sun units.

A single ServSelect II doesn't have to be dedicated to just one server type. In fact, all 3 modules can be installed in ServSelect II so it can be connected to a mix of 16 PS/2, USB, and Sun servers simultaneously!

Multiplatform management is just the first of several features.

GUI capabilities.

ServSelect II's graphical user interface is one of the simplest ever to use—and one of the most versatile, too.

Start with the way you configure your system and how you identify servers. ServSelect II's menus enable you to identify servers by unique name, ID number, or port number. Select individual servers using three operational modes—broadcast, scan, and switch and share.

ServSelect II's GUI also enables you to protect your system with a screen-saver password. After a certain period of inactivity (which you define), the screen-saver mode activates and access is prohibited until the appropriate password is entered to reactivate the system.

The choice is clear.

Many KVM switches promise clear video, but few deliver like

the ServSelect II does.

ServSelect II provides optimal resolution for analog VGA, SVGA, and XGA® video. It can achieve resolutions of up to 1600 x 1200 @ 75 Hz with a 10-ft. (3.0-m) CAT5 cable, and of up to 800 x 600 @ 75 Hz with a 50-ft. (15.2-m) CAT5 cable.

In addition, ServSelect II also supports Display Data Channel Plug-and-Play, which automates configuration of the monitor and is compliant with the VESA DDC2B standard.

ServSelect II's firmware is flash upgradable, and therefore future-proof. A null-modem serial cable is included to make the switch/server connections more convenient for upgrades. By being future-proof, the ServSelect II never has to be replaced. And that will save you a ton of money down the road!

Technically Speaking

In data communications applications, using products that exceed required capacities is usually not a problem. For example, if a 28.8K modem is required, a 33.6K or 56K modem will work just fine.

But sometimes more isn't better. For instance, KVM switches are designed to expect CAT5 and only CAT5 cable. You'd probably guess that Category 3 cable wouldn't be effective with these products, and you'd be right. But you may also assume that if Category 5 cable works just fine, Category 5e, Category 6, and other higher-capacity cables

would work even better. This isn't the case.

KVM switches from many manufacturers, including our ServSelect II, are designed specifically for the Category 5 specs defined by the TIA/EIA standard. Higher-level cables, such as CAT5e, have different characteristics and specs. Although differences like twist ratios might seem small, they can have a negative impact on these extenders, which are expecting a true Category 5 transmission.

So with our ServSelect II, you can think big with CAT5—just don't think bigger.

Specifications

Airflow: 8 cfm

Compliance: CSA C22.2 No. 950; EN55022 Class A, EN55024, EN60950, EN6100-3-3, EN6200-3-2; FCC 15 Class A; IEC 950; UL® 1950/60950 Third Edition; VCCI Class A

CPUs Supported: IBM® PC/AT®, PS/2, and compatibles

Heat Dissipation: 92 BTU per hour

Peripherals Supported:

Microsoft® IntelliMouse® (PS/2 only), PS/2 style keyboard and mouse, Microsoft Explorer mouse, IBM Scrollpoint mouse, Kensington 4-button mouse, Logitech™ Mouseman+®, Marble Plus and Marble FX mice

Resolution (Maximum):

1600 x 1280 @ 75 Hz with 10-ft. (3-m) cable;
800 x 600 @ 75 Hz with 50-ft. (15.2-m) cable

Video Supported: DDC2B, VGA, SVGA, XGA® (XGA2 with adapter)

CE Approval: Yes

Connectors:

CPUs/servers: (16) RJ-45;
Analog users: (4) 6-pin mini-DIN F (PS/2), (2) HD15 F (VGA);
Configuration port: (1) DB9 M (RS-232);
Power: (1) IEC 320

Operating Environment:

Temperature: 50 to 122°F (10 to 50°C);
Humidity: 20 to 80% noncondensing

Power: 100 to 240 VAC, 50 to 60 Hz, autosensing

Size: 1.75"H (1U) x 17"W x 11"D (4.4 x 43.2 x 27.9 cm)

Weight: 8 lb. (3.6 kg)

Why Buy From Black Box? Exceptional Value. Exceptional Tech Support. Period.

Recognize these situations?

- You wait more than 30 minutes to get through to a vendor's tech support.
- The so-called "tech" can't help you or gives you the wrong answer.
- You don't have a purchase order number and the tech refuses to help you.
- It's 9 p.m. and you need help, but your vendor's tech support line is closed.

According to a survey by Data Communications magazine, 90%

of network managers surveyed say that getting the tech support they need is extremely important when choosing a vendor. But even though network managers pay 10 to 20% of their overall purchase price for a basic service and support contract, what they get falls short of expectations—and isn't worth what they paid.

At Black Box, we guarantee the best value and support. You can even consult our experts before you buy if you need help selecting the right component for your application.

What the Package Includes

- ServSelect II.
- (1) Power cord.
- (1) Null-modem serial cable.
- Installer/User's guide.
- Quick-installation guide.

Ordering Information

ITEM	CODE
ServSelect II	KV2016A
<i>For each server connection, you need...</i>	
ServSelect Server Access Modules PS/2® Style ([1] HD15 Male, [2] 6-Pin Mini-DIN Male)	KV125A
USB Style ([1] HD15 Male, [1] USB Type A Male)	KV126A
Sun® Style ([1] HD15 Male, [1] 8-Pin DIN Male).....	KV127A
<i>You may also need...</i>	
Adapter for Legacy Sun Video ([1] HD15 Female to [1] 13W3 Male)	ACD002
<i>To connect your ServSelect II to Server Access Modules, order...</i>	
CAT5 Patch Cable, 100-MHz, 4-Pair, Straight-Pinned, PVC, Beige.....	EVNSL25