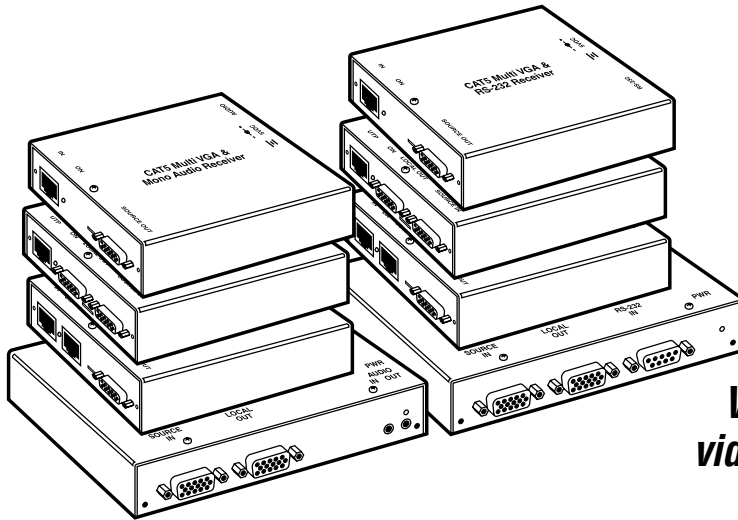


© 2003. All rights reserved.
Black Box Corporation.

BLACK BOX[®]

NETWORK SERVICES

CAT5 MULTI VGA SYSTEM



VGA video plus audio—or VGA video plus data—over convenient, inexpensive CAT5 cable.

Key Features

- ▶ **High-quality VGA transmission over CAT5 cable.**
- ▶ **Units function as video splitters and extenders.**
- ▶ **Send video and audio or video and data up to 450 feet (137.2 m).**
- ▶ **Mix and match topologies with the same Transmitter.**
- ▶ **Ideal for retail, market expos, trade shows, education, and more. If you want to grab your audience's attention and keep it, this system is for you.**

Looking for an economical way to transmit VGA video, audio, or RS-232 signals? Consider the CAT5 Multi VGA System. System components are inexpensive, and they use ordinary Category 5 cable—which is likely installed at your site already.

The CAT5 Multi VGA System is versatile and ideal for applications employing audio and visual communications. Use the system for touch screens, signs, classrooms, and more. With CAT5 cable so dominant, there is a variety of applications where you can use the CAT5 Multi VGA System!

Flexible system configuration.

Other systems limit you to a single topology, and it's usually the one that limits you from getting really creative. But with the system's Quad-Hub Transmitters and Dual-Daisychainable

Receivers, you can mix and match different topologies!

For example, you can connect individual Receivers to ports 1, 2, and 3 of a Quad-Hub Transmitter, creating a star topology. But you can use port 4 on the Transmitter to connect to a Dual-Daisychainable Receiver—which in turn can connect to other Dual-Daisychainable Receivers until the last connected unit is a Single Receiver—to create a daisychain topology.

You'll like the sound of this VGA system!

Sure, video can grab people's attention. But if you want to make sure your point gets made, opt for the Audio version of the CAT5 Multi VGA System. With it, you can create virtual signs that enable your audience to hear and see your message. And that will make things memorable.

The Audio version broadcasts video plus line-level mono audio from your computer to as many as 100 computer monitors up to 450 feet (137.2 m) away. Just think of the impact you can create broadcasting to as many monitors as needed.

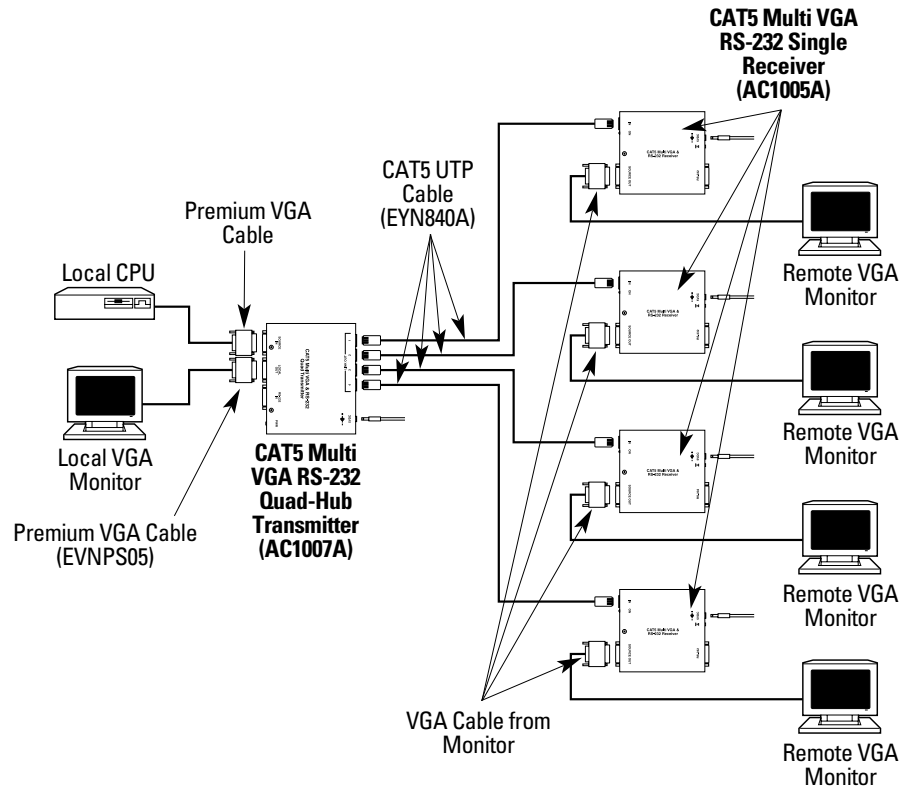
Total message control.

The RS-232 version of the CAT5 Multi VGA System brings you closer to the audience. It's ideal for touch screens used at marketing kiosks or trade shows, and units can be configured for two-way serial communication that's perfect for information gathering and Q&A interaction.

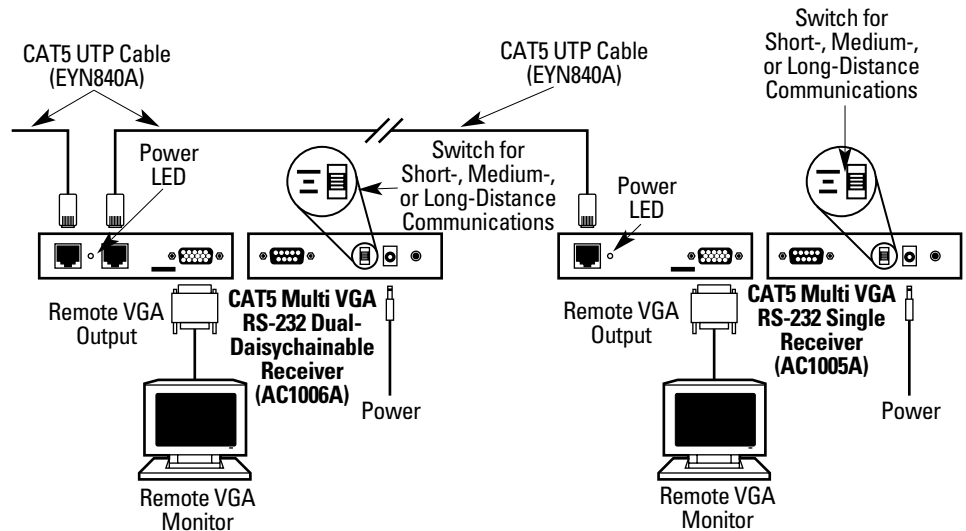
With newer monitors, such as plasma screens, you can display text messages along with your video to multiple monitors. You can also display text with video when you use the RS-232 units with VGA projection systems.

The CAT5 Multi VGA System can be configured for star or daisychain topologies.

Use the Quad-Hub Transmitter to send the same video signal to up to four receivers and VGA video monitors. Shown here is a star topology.



A Dual-Daisychain Receiver is used when the same signal is distributed to multiple display devices on a single CAT5 cable in a daisychain or loop-through topology.



Technically Speaking

In data communications applications, using products that exceed required capacities is usually not a problem. For example, if a 28.8K modem is required, a 33.6K or 56K modem will work just fine.

But sometimes more isn't better. For instance, the CAT5 Multi VGA System is designed to expect CAT5 and only CAT5 cable. You'd probably guess that Category 3 cable wouldn't be effective with these products, and you'd be right. But you may also assume that if Category 5 cable works just fine, Category 5e, Category 6, and other higher-

capacity cables would work even better. This isn't the case.

The CAT5 Multi VGA System is designed specifically for the Category 5 specs defined by the TIA/EIA standard. Higher-level cables, such as CAT5e, have different characteristics and specs. Although differences like twist ratios might seem small, they can have a negative impact on the system's components, which are expecting a true Category 5 transmission.

So with our CAT5 Multi VGA System, you can think big with CAT5—just don't think bigger.

Specifications

Audio Bandwidth:

AC1001A–AC1003A: Mono audio, 20 Hz to 30 kHz

Audio Input Impedance:

AC1001A–AC1003A: 600 ohms

Audio Input Level (Maximum):

AC1001A–AC1003A: 1.5 volts RMS (11.48 dBmW @ 1 kHz)

Distance (Maximum):

Resolutions to 640 x 480, 800 x 600, 1024 x 768, 1280 x 1024: 450 ft. (137.2 m);
Resolutions to 1600 x 1200: 400 ft. (121.9 m)

Resolutions Supported: At 72 Hz:

640 x 480, 800 x 600, 1024 x 768, 1280 x 1024, 1600 x 1200

Serial Interface:

Async, simplex, or full duplex data rates up to 19.2 kbps

CE Approval:

Yes

Connectors:

AC1000A: (1) 3.5-mm F, (1) RJ-45, (2) HD15 F;
AC1003A: (2) 3.5-mm F, (4) RJ-45, (2) HD15 F;
AC1001A: (1) 3.5-mm F, (1) RJ-45, (1) HD15 F;
AC1002A: (1) 3.5-mm F, (2) RJ-45, (1) HD15 F;

AC1004A: (1) DB9 F (DCE), (1) RJ-45, (2) HD15 F;
AC1007A: (1) DB9 F (DCE), (4) RJ-45, (2) HD15 F;
AC1005A: (1) DB9 M (DTE), (1) RJ-45, (1) HD15 F;
AC1006A: (1) DB9 M (DTE), (2) RJ-45, (1) HD15 F

Indicators:

(1) Power LED

Operating Environment:

Temperature: 32 to 104°F (0 to 40°C);
Humidity: Up to 80% noncondensing

Power:

100 to 240 VAC, 50 to 60 Hz, autosensing, external

Size:

AC1000A–AC1002A, AC1004A–AC1006A: 1.2"H x 4.1"W x 4.3"D (3 x 10.4 x 10.9 cm);
AC1003A, AC1007A: 1.2"H x 5.6"W x 4.5"D (3 x 14.2 x 11.4 cm)

Weight:

AC1000A–AC1002A: 0.8 lb. (0.4 kg);
AC1003A, AC1007A: 1.4 lb. (0.6 kg);
AC1004A–AC1006A: 1 lb. (0.5 kg)

What the Package Includes

- Transmitter or receiver unit.
- Autosensing power supply.
- Users' manual.

Ordering Information

ITEM	CODE
CAT5 Multi VGA System	
Audio Version	
Transmitters	
Single	AC1000A
Quad Hub	AC1003A
Receivers	
Single	AC1001A
Dual Daisychainable	AC1002A
RS-232 Version	
Transmitters	
Single	AC1004A
Quad Hub	AC1007A
Receivers	
Single	AC1005A
Dual Daisychainable	AC1006A
<i>To rackmount your CAT5 Multi VGA System, order...</i>	
Rackmount Brackets	
for Single Transmitters or Both Receiver Types	
1 Unit	AC1008
4 Units	AC1009
8 Units	AC1010
for Quad Transmitters	
3 Units	AC1011
6 Units	AC1012
<i>To connect audio units to computer equipment:</i>	
3.5-mm Plug to 3.5-mm Plug, 24 AWG Stereo Cable, 10-ft. (3-m)	EJ110-0010
<i>To connect RS-232 units to computer equipment:</i>	
DB9 Serial Mouse Extension Cable, 10-ft. (3-m), Male/Female	BC00230
DB9 Extension Cable (with EMI/RFI Hoods), 10-ft. (3-m), Male/Female	EDN12H-0010-MF
<i>To connect transmitters and receivers up to 450 feet:</i>	
Category 5 Unshielded Bulk Cable, 100-MHz, Solid, 4-Pair, PVC, Beige, 1000-ft. (304.8-m), Spool	EYN840A-1000



Black Box offers the best warranty program in the industry—Fido Protection®. For more information, request **FaxBack 22512**.