

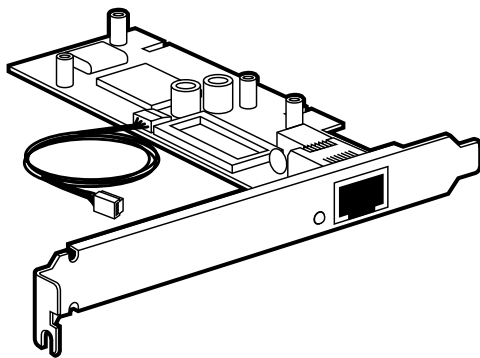
BLACK BOX[®]

NETWORK SERVICES

© 2003. All rights reserved.
Black Box Corporation.

Black Box Corporation • 1000 Park Drive • Lawrence, PA 15055-1018 • Tech Support: 724-746-5500 • www.blackbox.com • e-mail: info@blackbox.com

PURE NETWORKING PCI BUS NETWORK ADAPTER



*Add a 10/100
Ethernet port to
your PC.*

Key Features

- ▶ **The economical way to add a 10/100-Mbps Ethernet port to a computer.**
- ▶ **Easily installs in a PCI slot.**
- ▶ **Automatically senses network speed.**
- ▶ **32-bit busmastering design.**
- ▶ **Half- or full-duplex operation.**
- ▶ **Includes drivers for most popular operating systems.**
- ▶ **Supports Wake-on-LAN.**

If your PC came without an Ethernet port, you can easily add a port with the Pure Networking PCI Bus Network Adapter. Or, if your computer is equipped with only a 10-Mbps 10BASE-T port, you can upgrade to a 10/100-Mbps port that supports Fast Ethernet.

The adapter installs easily in the PCI slot of your computer and works with both 10-Mbps

Ethernet networks and 100-Mbps Fast Ethernet networks, automatically sensing the network speed of the connected device. The adapter supports half- or full-duplex operation.

Included is a floppy disk with drivers to support Windows[®] 95/98/NT/2000/Me/XP, NetWare[®] 3.x/4.x/5.x, Linux, UNIX[®], Packet Driver, and Macintosh[®] 8.5, 8.6, 9.0, 9.1.

Specifications

Speed: 10 Mbps and 100 Mbps

Standards: IEEE 802.3 10BASE-T, IEEE 802.3u 100BASE-TX, PCI Bus 2.1/2.2

CE Approval: Yes

Connectors: (1) RJ-45

Size: 4.7"H x 1.6"W x 0.6"D
(11.9 x 4.1 x 1.5 cm)

Weight: 0.12 lb. (0.05 kg)

Ordering Information

ITEM	CODE
Pure Networking PCI Bus Network Adapter.....	LE1600C
<i>To build a network or add more PCs to your network, order...</i>	
Pure Networking 10/100 Ethernet Switches	
5-Port.....	LB8505A
8-Port.....	LB8508A
16-Port.....	LB8516A
For more information, request or download FaxBack 10360 or contact Technical Support.	
<i>To share a broadband connection among network users, order...</i>	
Pure Networking Broadband Router.....	LR9601A
For more information, request or download FaxBack 10353 or contact Technical Support.	
<i>For optimum performance, order...</i>	
GigaBase [®] 350 CAT5e Patch Cable with Snagless Boots, 350 MHz, 24 AWG, RJ-45, 4-Pair, T568B, PVC, Blue, 10-ft. (3-m)	EVNSL81-0010



Black Box offers the best warranty program in the industry—Fido Protection[®]. For more information, request **FaxBack 22512**.