



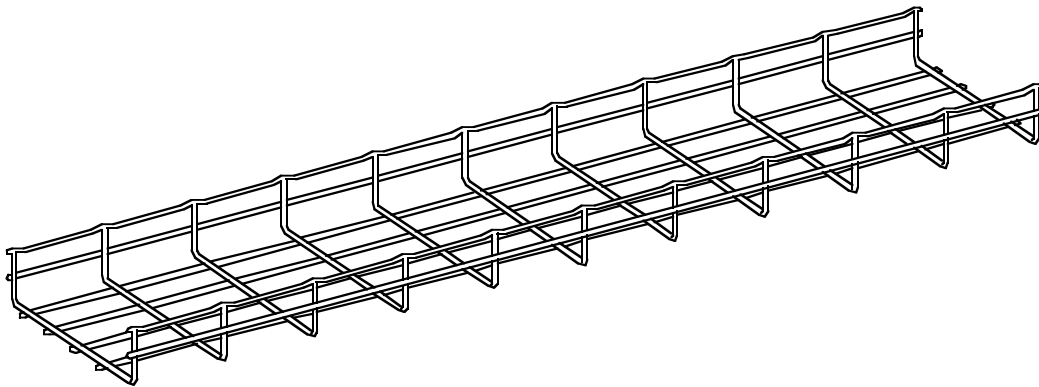
© 2004. All rights reserved.
Black Box Corporation.

BLACK BOX[®]

NETWORK SERVICES

Black Box Network Services • 464 Basingstoke Road • Reading, Berkshire, RG2 0BG • Tech Support: 0118 965 6000 • www.blackbox.co.uk • e-mail: techhelp@blackbox.co.uk

BASKETPAC CABLE TRAY



*The professional-grade cable tray system
that's simple to install.*

Key Features

- ▶ **High-quality, welded steel wire construction.**
- ▶ **Quick, easy installation.**
- ▶ **Models available in a convenient 78" in length—great for ground delivery.**
- ▶ **Choose from several joining methods, such as bolt-free splices.**
- ▶ **Special safety edge protects installers from sharp wires and keeps cables from fraying.**
- ▶ **Ideal for use with our Premier Aluminum Distribution Racks.**

Think cable installers just love long cable runs, especially those that demand bundles of cables be placed in trays for overhead runs between racks? Not a chance! Buy the wrong cable tray and you face the aggravation of a time-consuming construction or getting poked by jagged wires—maybe the possibility that the tray isn't strong enough and the whole contraption comes crashing down around your head.

If you want to avoid the hassles associated with other cable trays, you owe it to yourself to get the BasketPAC Cable Tray. It's simple to build for any cable installation, its safety edge protects you from sharp wires and prevents cables from fraying, and its high-quality, welded steel wire construction means that this tray and its components are built for heavy-duty use. To construct your own BasketPAC system,

follow these four easy steps to make installation easier.

Choose your Cable Tray Sections.

Our Cable Trays come in two different lengths: 78" or 10'. The 78" models come in 4-packs that measure 2" (5.1 cm) high by 78" (198.1 cm) long. Trays are available in widths of 4", 6", 8", and 12" (10.2, 15.2, 20.3, and 30.5 cm). Or choose the 2"H x 10"L model (5.1 cm x 3 m). Each package of Cable Tray Sections includes Fast Splices that enable you to quickly and easily connect sections without using bolts.

Opt for other Joining Hardware.

You can also splice with our Splice Washer Kit or Snap-In Splices.

The Splice Washer Kit (RM723) includes 50 Large Clamp Washers with attached Nuts and 50 Small Clamp Washers with attached Bolts; 50-Packs of individual kit components are also available. The Snap-In Splice (RM721)

comes in a 50-pack, and it enables easy bolt-free installation. Other Joining Hardware includes a 50-Pack Universal Splice Bar (RM722) that installs with the Splice Washer Kit, and a 2-Pack Turn & Tee (RM725) that's used to form 90° turns.

The support you need.

BasketPAC Cable Trays are held in place by our Cable Tray Supports. We have Wall Brackets (RM729–RM732), Trapeze Supports (RM738–RM739), and more!

And for the finishing touch...

Our Offset Tray Cutter (RM744) is used to cut Cable Tray sections during installation.

The Cable Roller Kit (RM742) is used to pull cable, and it comes in a 6-Pack. Mount it on the side or centre of your trays. Its top opens to release cable bundles.

The Snap-In Cable Radius (RM743) protects cables by maintaining minimum bend radius.

Ordering Information

ITEM

CODE

First, choose a Cable Tray Section with the width that's right for your application...

Cable Tray Sections, 2"H x 78"L (5.1 x 198.1 cm), 4-Pack

4"W (10.2 cm).....	RM710A
6"W (15.2 cm).....	RM712A
8"W (20.3 cm).....	RM714A
12"W (30.5 cm).....	RM716A

Cable Tray Sections, 2"H x 10"L (5.1 cm x 3 m)

2"W (5.1 cm).....	RM780
4"W (10.2 cm).....	RM781
6"W (15.2 cm).....	RM782
8"W (20.3 cm).....	RM783
12"W (30.5 cm).....	RM784

...next, select the appropriate Joining Hardware...

Splice Washer Kit & Spare Parts, 50-Pack	RM723
Large Splice Washers, 25-Pack.....	RM724
Large Clamp Washers, 50-Pack.....	RM718
Small Clamp Washers, 50-Pack.....	RM719
Nuts and Bolts, 50-Pack.....	RM720
Snap-In Splice, 50-Pack.....	RM721
Universal Splice Bar, 50-Pack	RM722
Turn & Tee Kit, 2-Pack.....	RM725

...then choose all the Cable Tray Supports that you need...

L-Brackets, 1-Pack

6".....	RM726
8".....	RM727
12".....	RM728

C-Brackets, 1-Pack

8".....	RM733
12".....	RM734

Trapeze Supports

Bar, 16".....	RM739
Hanging Clip, 50-Pack.....	RM738

Wall Brackets, 1-Pack

6".....	RM729
8".....	RM730
12".....	RM731

Wall End Bracket.....RM732

Centre Brackets, 1-Pack

6".....	RM735
12".....	RM736

Centre Hanger Clip, 50-Pack.....RM737

Under-Floor Support.....RM740

12" Pedestal Support.....RM741

...lastly, choose whatever accessories you may need.

Offset Tray Cutter.....RM744

Cable Roller Kit, 6-Pack.....RM742

Snap-In Cable Radius.....RM743