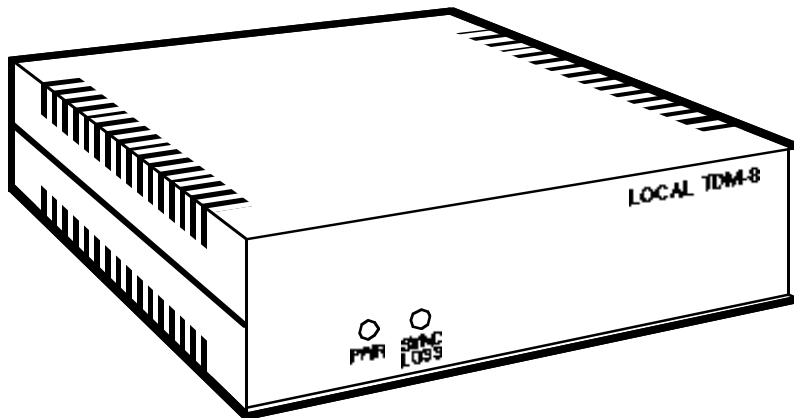


BLACK BOX[®]

NETWORK SERVICES

Local TDM-8



A multiplexor and line driver in one low-cost unit.

Key Features

- ▶ *Connects up to eight asynchronous devices.*
- ▶ *Uses existing RJ-11 wiring.*
- ▶ *Installs easily with RJ-11 adapters.*
- ▶ *Transformer isolation protects your data.*
- ▶ *Sends data up to 6000 feet using 24 AWG wire.*
- ▶ *Internal line-equalization jumpers can be set to get the best performance out of the communication line.*

Overview

The Local TDM-8 multiplexes data up to 1800 metres to or from eight local async devices.

This mux features built-in surge protection, Alternate Mark Inversion (AMI) encoding to flag potential line problems, and line-equalization jumpers to make sure that your multiplexors are synchronized.

Establish eight independent links.

Each link can run at speeds up to 9600 bps. The composite channel sends data at 671 Kbps.

Why pay for expensive cabling?

Low-cost 4-wire, 2-twisted-pair cabling is all you need to provide the link between two Local TDM-8s.

No more equipment to buy.

The Local TDM-8 has built-in high-performance line-driver

circuitry. There's no need for you to spend money on additional line drivers or modems, or to access your local telephone company, to complete your system.

Installation is quick and easy.

The Local TDM-8 is small enough to put almost anywhere. The RJ-11 connectors make installation convenient and uncomplicated.

Fine-tune the Local TDM-8 for optimum transmission-line performance.

Line-equalization jumpers can be set for different composite line lengths to compensate for various impedances.

Isolation transformers provide built-in surge protection.

Any differences in ground potential from building to building are eliminated. Common-mode noise differences are also rejected.

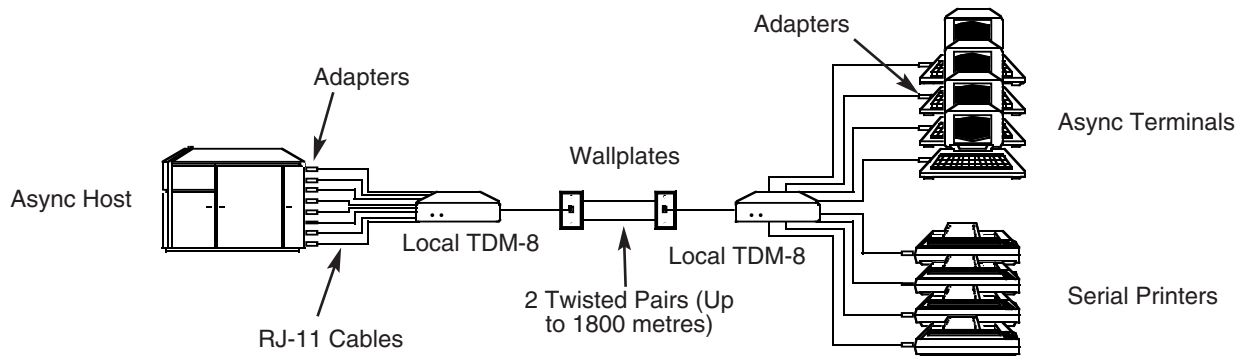
Minimizes EMI/RFI.

The metal enclosure prevents electromagnetic interference and radio-frequency interference (EMI/RFI) emissions from interfering with other devices located nearby.

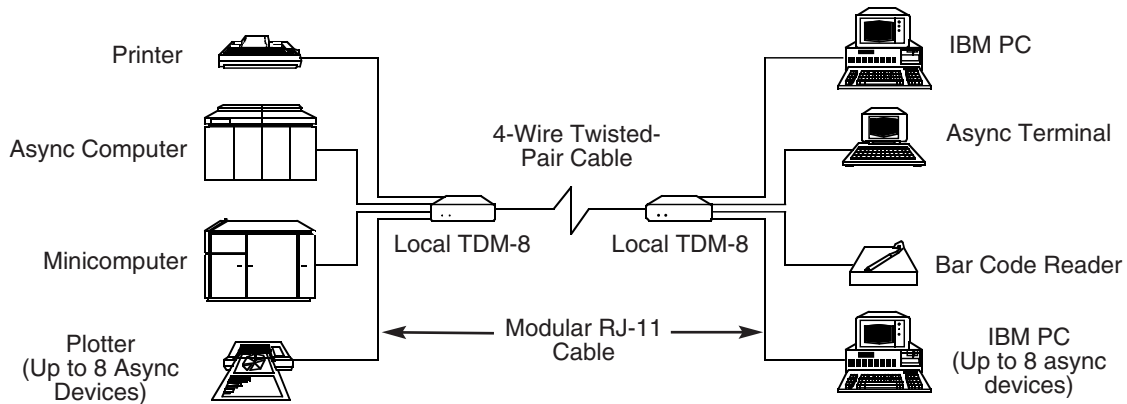
RJ-11 adapters simplify connections.

The adapters will take a DTE or DCE device having a male or female DB25 connector and convert the connection to an RJ-11 connector. Now all you need is four-wire cable with RJ-11 connectors can now be easily installed between your devices and the Local TDM-8.

Up to eight devices can access a host computer.



Multiplex up to eight devices on each Local TDM-8.



Install an RJ-11 adapter on each async channel device and use modular RJ-11 cables to connect the devices to the local TDM-8. Equipment can easily be removed or added.

Specifications

Multiplexor Type — Time-division

LOSS (data synchronization lost) and PWR (power)

Composite Interface — Alternate Mark Inversion (AMI), transformer coupled

Connectors — Sub-channels: (8) RJ-11 female; Composite: (1) RJ-11 female

Speed —

Composite: 671 Kbps; Channel: 0 to 9600 bps, each port transparent to data

Enclosure — Metal

Power Supply — 115 VAC, 60 Hz, wallmount

Channel Capacity — 8

Power Consumption — 3.3 watts

Data Format — Asynchronous

Size — 3.8H x 16.5W x 21.6D cm

Maximum Transmission Distance — 1800 metres (1.83 km) over 24 AWG cable

Weight — Unit only: 1.12 kg; Unit with power supply: 1.48 kg

Diagnostics — Bidirectional Loopback

Indicators — (2) LEDs: SYNC

The complete package

What you get when you order the Local TDM-8

- (1) Local TDM-8
- (1) Power supply
- (1) User's manual

Ordering Information

This information will help you place your order quickly.

PRODUCT NAME	ORDER CODE
Local TDM-8	MX511A-E
RJ-11 Adapter (male)	FA252
RJ-11 Adapter (female)	FA253

NOTE: The Local TDM-8 must be used in pairs.