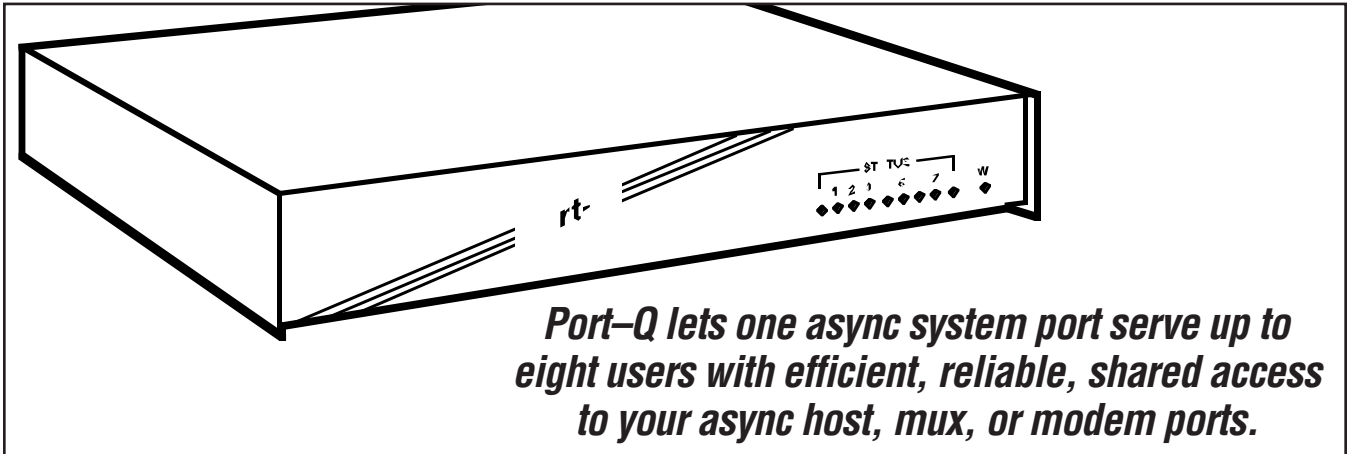




BLACK BOX[®]

NETWORK SERVICES

PORT-Q



Key Features

- ▶ **Reliable port queuing, "first-in, first-out" access, and fast switching, with built-in software program.**
- ▶ **Each user gets real-time queue-position updates on his monitor.**
- ▶ **Independent port configuration for flexible use of host and user ports.**
- ▶ **No monopolizing of shared-access ports—two kinds of circuitry keep the queue moving.**
- ▶ **No unauthorized access to host accounts with user-defined auto logoff strings.**
- ▶ **On-board 32K data buffer.**

Port-Q is a real "port saver." With Port-Q, you get first-come, first-served shared access for those infrequent users of your async host, mux, or modems. Or add new users to your system—without adding expensive equipment!

Unlike other switches and sharing devices, the Port-Q lets you expand your system on a small scale: let four users share one port (add the optional expansion board, and eight users share one port). If you're an MIS manager who needs to add a few users to a crowded system, this switch is the answer.

Maybe you need to reassign users when their applications or work duties change. Or maybe you just can't spend big money now for a new comm board for your DEC[™] VAX[™], HP 3000[™], or Data General computer. The inexpensive Port-Q makes efficient use of your async ports. You can put off that big purchase until your budget is really ready

for it. The money you save easily covers the cost of the Port-Q.

The Port-Q doesn't impose restrictions on your network. You can create port configurations to fit the demand for your equipment: Set each port individually for data rate (up to 19.2 kbps), flow control (hardware or software), word structure, and DTE/DCE.

An on-board processor manages the entire operation for reliable switching and quick response to user's demands.

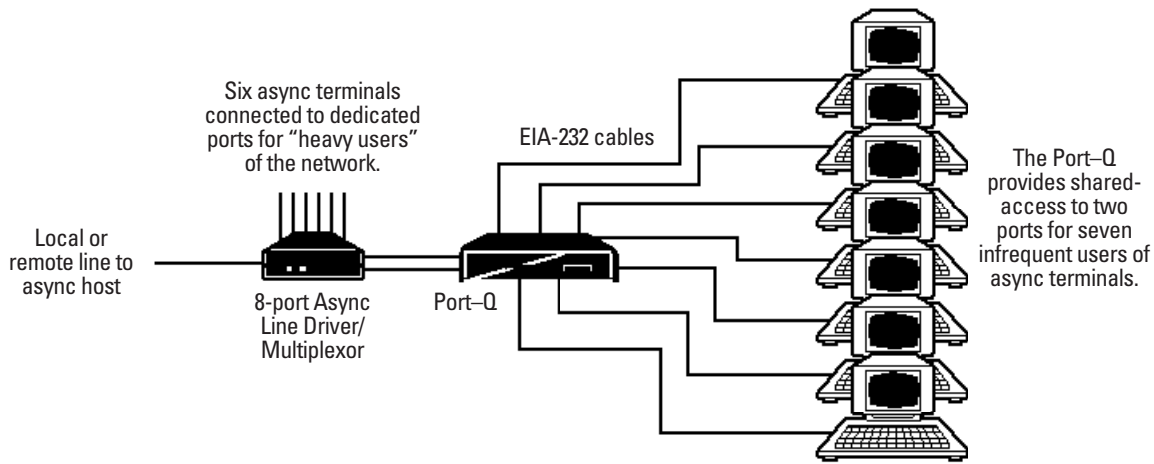
Custom programs let users contend for a limited number of devices. The unit gathers requests in a port queue, automatically grants access to the shared ports, and establishes terminal-to-host-port links.

Simple commands let users request links, drop out of the queue, and break links to ports.

Typical Applications

Add people, not ports. Use Port-Q to redistribute valuable DEC VAX ports: Assign infrequent users shared access to a few ports and give dedicated ports to heavy users; you avoid purchasing 16 or 32 additional (expensive) comports.

Or let your office's personal computer users access a couple of modems and phone lines via the Port-Q. You buy just two modems and lease just two telephone lines. Then let up to seven PC users share this equipment.



Use an 8-port line driver/mux with the Port-Q to extend your network availability, make better use of your async host ports, assign dedicated ports to regular users, and cut cable costs.

Specifications

Contention Type: FIFO, by data activity

Channels: (5) or (9), configurable in any combination of shared-access and terminal ports

Data Speed: 110, 300, 600, 1200, 2400, 4800, 9600, and 19,200 bps

Data Format: ASCII, asynchronous

Flow Control: X-ON/X-OFF (software) or DTR/CTS

Memory: 32K random access memory (RAM)

Interface: EIA-232/CCITT V.24

Connectors:
Base model: (5) DB25S female;
Expansion Board: (4) DB25S female

Indicators: LEDs: (1) Power, (9) Channel Status

Power: 115 VAC/60 Hz model or 230 VAC/50 Hz model, 5 watts

Size: 5.8H x 31W x 28.2D cm (2.3"H x 12.2"W x 11.1"D)

Weight: 3.6 kg (8 lb.)

Technically Speaking

A line-up of facts about the Port-Q and its features:

Host port queuing

A typical switch requires you to manually select the port you want to access. If someone is using that port, you must check on the switch's status every few minutes.

Port-Q eliminates this hassle by letting users contend for shared-access ports. A microprocessor and a unique contention program on a software chip determine port assignment

on a first-in, first-out basis. Also, the microprocessor builds a "waiting line" for all port requests (the port queue).

Inactivity timeout circuitry

Host ports linked to inactive terminals are wasted resources. Port-Q uses an automatic circuit to sense when a terminal has been inactive too long (you define "too long"). It then cuts the terminal-to-host-port link and provides port access to the next request in the port queue.

Additional equipment you may need

- Asynchronous line driver/ multiplexors, to link up to eight channels to your async host, over a single four-wire cable.
- 4-wire copper cable, to link the muxes within your building.
- Modems, to link the Port-Q and terminals to the telephone network for remote data transmission.
- EIA-232 cable, for your equipment connections.

The Complete Package

- Port-Q (5-port base model)
- Power supply unit (external)
- Installation and Operation Manual

Ordering Information

ITEM	CODE
Port-Q	TL250A
4-Port Expansion Board	TL251C
Rackmount Kit	TL485A



Black Box offers the best warranty program in the industry—Fido Protection®. For more information, request **FaxBack 22512**.