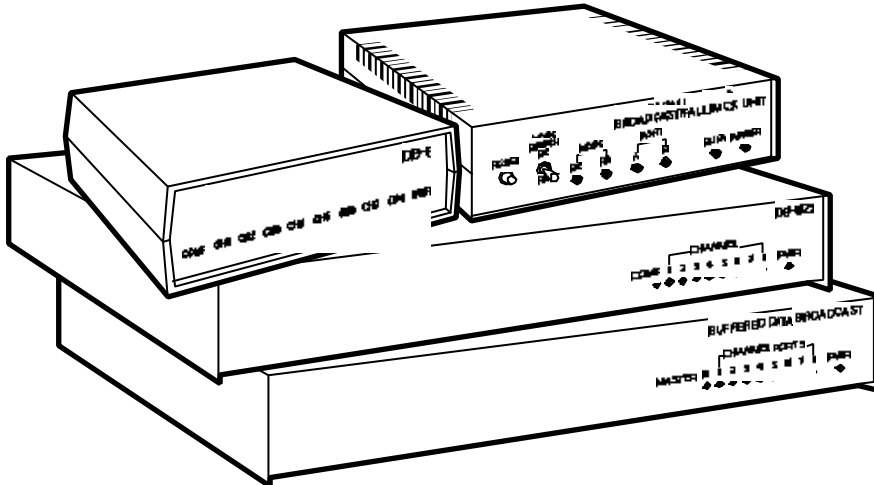


Data Broadcast, Buffered Data Broadcast



Send serial data to up to 8 printers or terminals at once.

The Data Broadcast and Buffered Data Broadcast send RS-232 async serial data to up to 8 printers or terminals at once.

Overview

Key Features

► Data Broadcast

Fully regenerates an async host signal and broadcasts it out to eight slave ports at once.

► Comes in two models—DB25 and RJ-11—to match your cabling requirements.

► Buffered Data Broadcast

Individual port buffering lets your connected devices receive data continuously, regardless of their speeds.

The Data Broadcast units let you transmit data to more than one printer or terminal at the same time, without losing signal strength.

Data Broadcast

The Data Broadcast lets you transmit data from any serial async device to up to 8 printers, modems, or terminals simultaneously.

The Data Broadcast takes the RS-232 signal from your async host, divides it among eight slave ports, and then completely regenerates and broadcasts each of those new port signals to their respective devices.

There's a model for DB25 cabling and one for RJ-11 cabling to fit your needs.

Buffered Data Broadcast

The Buffered Data

Broadcast (DB25 only) functions in the same way as the Data Broadcast, but it also features individually-buffered ports. These let you send async data to devices operating at various speeds.

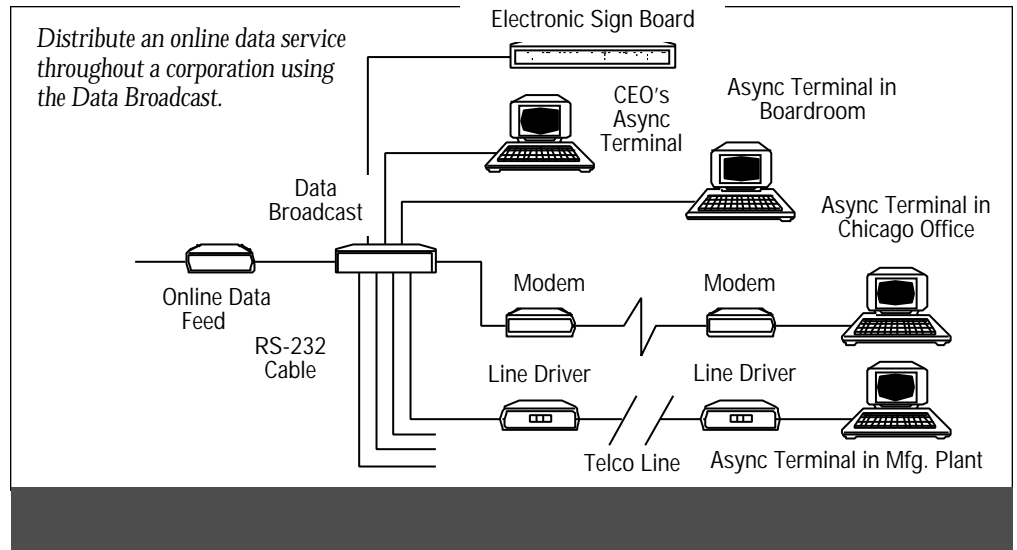
You can configure each port for word structure, baud rate, flow control, and DTE or DCE operation.

Typical Applications

► Use the Data Broadcast to send data from your async host to any combination of eight terminals or printers.

Use the Buffered Data Broadcast to send data from your async host to any combination of eight terminals or printers running at different speeds. A slow device won't interrupt the data flow to a faster device.

The serial broadcast units send data to up to 8 terminals or printers simultaneously. Choose the model that fits your application.



Technically Speaking

The Data Broadcast (available with DB25 or RJ-11 connectors) and the Buffered Data Broadcast (DB25 only) regenerate a serial RS-232 async signal and send it to up to 8 terminals or printers simultaneously.

Data Broadcast

- The Data Broadcast (DB25 Model) supports three leads on each port connector: Transmit Data (TXD), Receive Data (RXD), and Signal Ground (SG). Pins 4 and 5 are jumpered internally. Also, pins 6, 8, and 20 are tied internally. The input to the composite port is regenerated and simultaneously sent out on the output lead of each of the eight slave ports, channels 1 through 8.
- The Data Broadcast (RJ-11 Model) supports pins 2, 3, and 7 only. You will need to order male or female RJ modular adapters for use with this model. See the *Ordering Information* on the next page.

Buffered Data Broadcast

- This unit has an internal buffer that is dynamically allocated to the individual

ports. "Dynamic allocation" means that a varying amount of buffer is given to each port as it needs it, instead of having a set size of buffer for each port. Additional buffer can be shifted to ports that are receiving information faster than they can transmit it out to another port(s). Since this allows the buffer to be used most efficiently, system throughput increases. The dynamic allocation works in both directions—when a host is transmitting to the ports and when the ports are transmitting to the host.

- The standard Buffered Data Broadcast (model TL160A-R2) supports four slave devices and one master device. The unit has 32 KB of RAM, with approximately 29.4 KB devoted to buffering. You can expand your unit's channel port capacity and/or RAM with the following items:
- 4-Port Expansion Card (model TL160C) provides 4 additional input ports.
- RAM Upgrade (Model TL484) provides 32 KB more RAM and 25.4 KB more bytes of buffer.

Specifications

Data Broadcast

Interface—RS-232/V.24

Connectors—TL158AE-R3: (9) DB25 female; TL159AE: (9) RJ-11 female

Pins Supported—TL158AE-R3: 4, 5, 6, 8, 20; TL159AE: 2, 3, 7

Power—TL158AE-R3: External power supply (IEC connector), 230 VAC, 50 Hz; TL159AE: External power supply (IEC connector), 230 VAC, 50 Hz

Size—TL158AE-R3: (5.8H x 31W x 28.2D cm); TL159AE: (4.5H x 13.7W x 21.6D cm)

Weight—TL158AE-R3: (3.7 kg); TL159AE: (0.9 kg)

Buffered Data Broadcast

Ports—(5) expandable to 9 with optional card

Speed—110 bps to 19.2 Kbps (port-selectable)

Data Format—Each port can be configured for 7 or 8 bits; odd, even, or no parity

Flow Control—Hardware

or software (port selectable)

Buffer Size—32 KB (expand-able to 64 KB with optional memory chip)

Indicators—(10) LEDs: (1) Power, (9) Port activity

Operating Temperature—0° to 45° C

Storage Temperature—20° to 70° C

Humidity—0 to 95% noncondensing

Mean Time Between Failures (MTBF)—TL160AE-R2: 20,000 hours; TL160AE-R2 with TL160C: 16,000 hours

Interface—RS-232 async

Connectors—TL160AE-R2: (5) DB25 female; TL160C: (4) DB25 female

Pins Supported—1, 2, 3, 4, 5, 6, 7, 8, 20, 22

Power—TL160AE-R2: External power supply (IEC connector), 230 VA 50 Hz, 90 mA, 20 watts

Size—5.8H x 31W x 28.2D cm

Weight—3.4 kg; with expansion card: 3.7 kg

The complete package

What you get when you order the Broadcast Units

TL158AE-R3:

- Data Broadcast (DB25 model)
- Power supply TL158AE-R3: External, IEC connector)
- User manual

TL160AE-R2:

- Buffered Data Broadcast
- Power supply TL160AE-R2: External, IEC connector)
- User manual

TL159AE:

- Data Broadcast (RJ-11 model)
- Power supply TL159AE: External, IEC connector)
- User manual

Additional equipment you might need

For the Data Broadcast (DB25 model):

- RS-232 cable

For the Data Broadcast (RJ-11 model):

- RJ Modular Adapters

For the Buffered Data Broadcast:

- 4-Port Expansion Board—provides 4 additional input ports

- RAM Upgrade—provides 32K of additional RAM with 25.4K additional of buffer

- RS-232 Cable

Ordering Information

This information will help you place your order quickly.

PRODUCT NAME	ORDER CODE
Data Broadcast (DB25 Model)	TL158AE-R3
Data Broadcast (RJ-11 Model)	TL159AE
RJ Modular Adapter, Male	FA252
RJ Modular Adapter, Female	FA253
Buffered Data Broadcast	TL160AE-R2
4-Port Expansion Card	TL160C
32K Memory Expansion	TL484
RS-232C Cable	
25 conductors; Pinning: Pins 1-25	ECM25C