

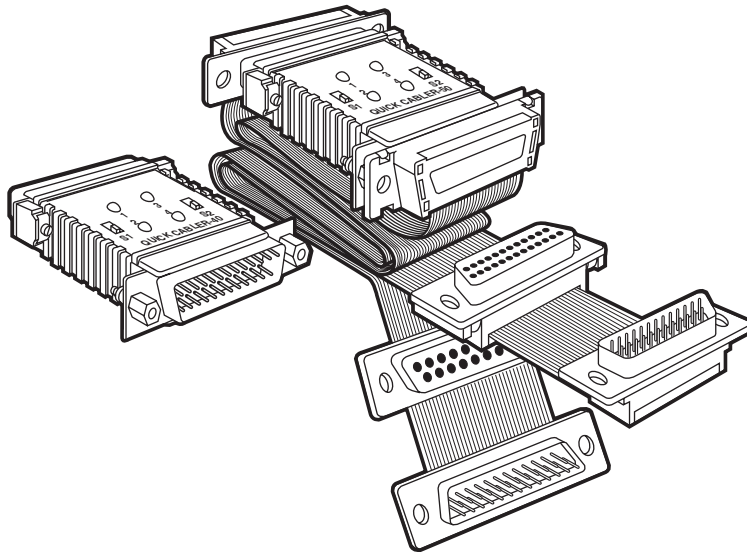


# BLACK BOX<sup>®</sup>

## NETWORK SERVICES

© Copyright 1998. All rights reserved.  
Black Box Corporation.

### Quick Cablers



Meet special pinning requirements when connecting RS-232 hardware.

#### Key Features

- ▶ Matches async data, handshake, and control lines.
- ▶ Fits DB25 asynchronous RS-232 ports or cable.
- ▶ No AC power or batteries needed.

#### Technically Speaking

The Quick Cablers enable you to connect most RS-232 hardware. They support asynchronous RS-232 data rates from 50 bps to 19.2 Kbps which are compatible with the majority of RS-232 computing hardware.

Also, two switches configure cables for the four most common RS-232 pinouts so you can match two interface ports without needing to know the correct pin connections.

Four LEDs indicate when data and control signals are being passed correctly. They

receive positive confirmation that the connection between two devices is working properly.

The Quick Cabler-50 is the same as the Quick Cabler-40, but it also includes 2 three-foot, dual-gendered ribbon cables for easy connection.

#### For these and other components...

Call our expert Technical Support Staff for all your data-communications needs. They'll help you find the best equipment for your application.

#### Specifications

**Indicators** — LEDs: (4) to select pinouts

**Interface** — RS-232

**Connectors** — Both models: (1) DB25 female, (1) DB25 male; TS126A: (2) DB25 female, (2) DB25 male, each on a 0.9-m (3-ft.) cable (included)

**Power** — From the interface

### Ordering Information

This information will help you place your order quickly.

PRODUCT NAME	ORDER CODE
Quick Cabler-40 .....	TS125A
Quick Cabler-50 .....	TS126A