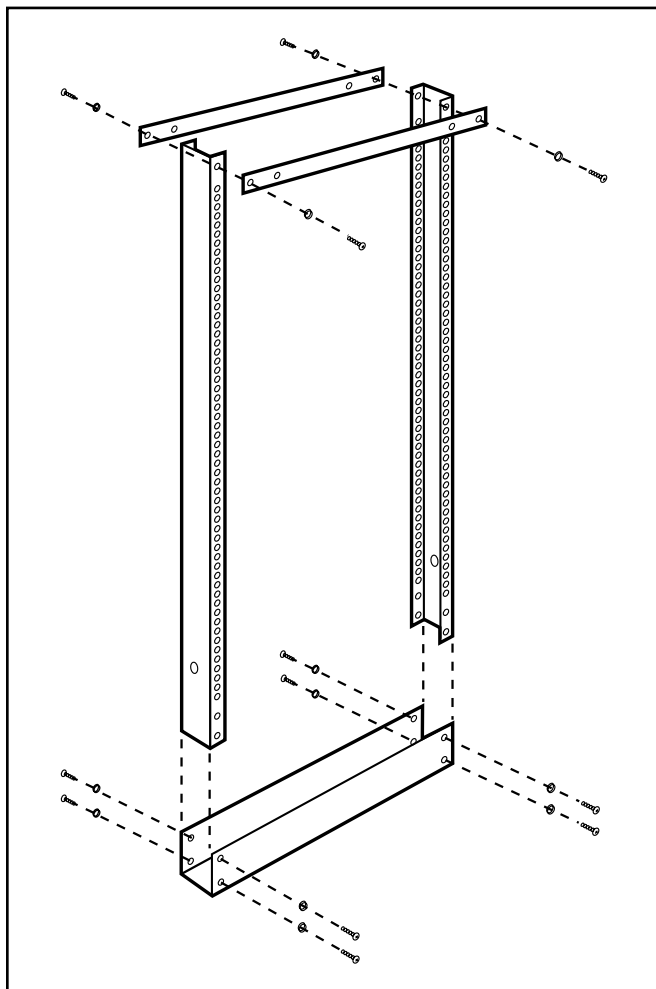


BLACK BOX[®]

NETWORK SERVICES

WALLMOUNTABLE RACKS



Get your components off the floor and onto the walls where they'll be safe.

Bring some order to your wiring closet or your office by keeping your expensive components off the floor. The 21" stationary brackets can handle our cantilevered shelves and hubs.

Choose either Stationary or Hinged brackets. The Stationary models have four heavy-duty 14 gauge brackets for wallmounting, and they have a polyurethane-backed finish.

These Wallmountable Racks attach securely to your walls so

that you can install more equipment even if you don't have available floor space.

Heavy-duty aluminum construction supports 75 lb. of suspended weight for hinged brackets and 100 lb. for stationary brackets.

Installation is easy. Just tighten 12 bolts—the holes are pre-threading.

Key Features

- ▶ Choose from stationary or hinged brackets.
- ▶ Fully drilled and tapped channel per EIA universal spacing.
- ▶ Hinged brackets support 75 lb. of suspended weight and the stationary brackets support 100 lb.

Ordering Information

ITEM	CODE
Wallmountable Racks	
36" (91.4 cm)	RM040A
48" (122 cm)	RM041A
Brackets	
Stationary	RM042
Hinged	RM043



Black Box offers the best warranty program in the industry—Fido Protection[®]. For more information, request **FaxBack 22512**.