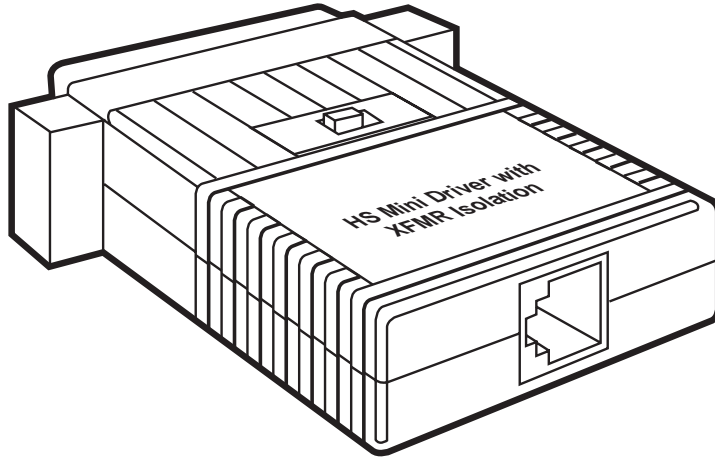


# BLACK BOX<sup>®</sup>

## NETWORK SERVICES

### HS Minidriver with Transformer Isolation and Surge Protection

Get async, point-to-point data rates of up to 57.6 Kbps—or a distance of up to nine miles over two twisted-pair wires.



#### Key Features

- ▶ Protection from ground loops and surges.
- ▶ Control signals loop back at the RS-232 interface, so only data passes through.
- ▶ Plug-in design.
- ▶ Powered from the RS-232 interface.

Choose from high speeds or long distances with this High-Speed Minidriver.

**Technically Speaking**  
The HS Minidriver features transformer isolation to protect your data from ground loops—even in noisy factories. Built-in silicon avalanche diode surge protection gives you additional security.

It's easy to install, too. It

connects directly to an RS-232 port. And because it's compact, it fits into tight spaces—without a bulky adapter cable.

The Minidriver gets its power from the RS-232

interface, so you save money on batteries or AC power.

An external DCE/DTE switch eliminates the need for crossover cable.

*NOTE: Must be used in pairs.*

#### For these and other components...

Call our expert Technical Support Staff for all your Line Driver needs. They'll help you find the best equipment for your application.

#### Specifications

<b>Protocol</b> — Asynchronous	(1) terminal block with strain relief
<b>Speed</b> — Up to 57.6 Kbps	<b>Power</b> — From the interface
<b>Distance</b> — Up to 9 miles (22.9 km) at 1200 bps; up to 0.5 miles (0.8 km) at 57.6 Kbps	<b>Size</b> — 2.7"H x 2.1"W x 0.7"D (6.9 x 5.3 x 1.8 cm)
<b>Operation</b> — Full-duplex	<b>Weight</b> — 0.1 lb. (<0.1 kg)
<b>Connectors</b> — RS-232: (1) DB25 male or female; Line: (1) RJ-11, (1) RJ-45, or	

## Ordering Information

This information will help you place your order quickly.

PRODUCT NAME	ORDER CODE
High-Speed Minidriver with Transformer Isolation and Surge Protection	
RJ-11 Male.....	ME862A-MSP
RJ-11 Female.....	ME862A-FSP
RJ-45 Male.....	ME863A-MSP
RJ-45 Female .....	ME863A-FSP
Terminal Block with Strain Relief, Male.....	ME864A-MSP
Terminal Block with Strain Relief, Female ..	ME864A-FSP