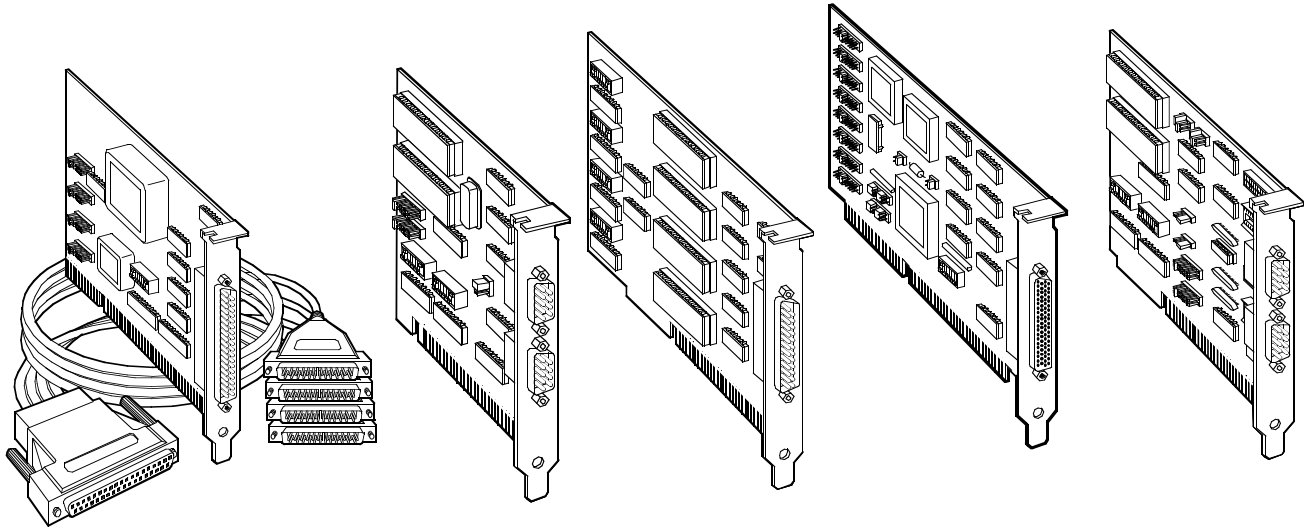


## Serial Interface Cards



### Key Features

- ▶ Add up to eight serial ports.
- ▶ IC112C cards are ideal for RAS use in a Windows NT environment.
- ▶ Up to eleven interrupt options for simple integration into existing systems.
- ▶ Faster baud rates—up to 460.8 kbps.

### Introduction

Take control of multiple RS-232 devices from one PC. These Serial Interface Cards give you up to *eight* extra serial ports (depending on which model you're using)—without using up all of your PC's slots. And choose from up to eleven available interrupts.

Each Card features either a 16550 UART (Universal Asynchronous Receiver/Transmitter), 16554 UART, or 16654 UART chip. These chips reduce processor interrupts and data loss.

To install the Card, turn off the PC's power, disconnect the power cord, and remove the PC's case cover. Locate an available slot and remove the blank metal slot cover. Insert the Card into the slot and make sure it's seated properly. Replace the screw and the PC's case cover, reconnect the power cord, and hardware installation is complete. Then all you have to do is configure the operating system to recognize the Card.

Included with each Serial Interface Card are two diagnostic serial utility diskettes. Use them to verify that your Card is configured correctly.

### Typical Application

If your PC is connected to multiple peripherals—such as modems, data-entry terminals, and printers—use just one of these Serial Interface cards to add up to eight extra serial ports.

## Specifications

**Speed** — IC102C-R2, IC112C-R3, IC112C-R3-HS: Up to 460.8 kbps; All other cards: Up to 115.2 kbps

**Distance** — IC102C-R2, IC110C, IC111C, IC112C-R3: Up to 15.2 m at 9600 bps (RS-232) with 2500-pF maximum cable capacitance (lower capacitance will allow greater distances); IC113C: Up to 15.2 m at 9600 bps (RS-232) or up to 1524 m at 9600 bps (RS-422/485) with 2500-pF maximum cable capacitance (lower capacitance will allow greater distances)

**Operation** — IC102C-R2, IC110C, IC111C, IC112C-R3, IC112C-R3-HS: RS232; IC113C: RS-232 or RS-485/422, 2- or 4-wire (individually selectable on each port)

**Protocol** — Asynchronous

**Indicators** — None

**Connectors** — IC102C-R2: (1) DB37M on card, (1)0.9-m DB37F-to-4xDB25M octopus cable; IC110C, IC113C: (2) DB9M; IC111C: DB37F on card, (1)0.9-m DB37M-to-4xDB25M octopus cable; IC112C-R3, IC112C-R3-HS: DB78HDF on card; (1)0.9-m DB78HDM-to-8xDB25M octopus cable

**Communications Chip** — IC102C-R2, IC112C-R3: 16554 UART; IC110C, IC111C, IC113C: 16550 UART; IC112C-R3-HS: 16654 UART

**Number of Ports** — IC110C, IC113C: 2; IC102C-R2, IC111C: 4; IC112C-R3,

IC112C-R3-HS: 8

**Diagnostics** — (2) 3.5" serial utility diskettes included with diagnostics

**MTBF (Mean Time Between Failures)** — >150,000 hours (more than 17 years)

**Materials** — Boards are built to UL<sup>®</sup> 94V0 rating and are 100% electrically tested. Boards are solder mask over bare copper or tin nickel.

**Operating Temperature** — 0 to 50° C

**Storage Temperature** — -20 to +70° C

**Humidity** — 5 to 90% relative humidity, noncondensing

**Power** — All models: From PC bus; IC102C-R2: +5 VDC @ 200 mA ±12V @ 80 mA; IC110C, IC111C, IC113C: +5 VDC @ 270 mA ±12V @ 50 mA; IC112C-R3, IC112C-R3-HS: +5 VDC @ 320 mA ±12 VDC @ 110 mA

**Size** — IC102C-R2: H10.7 x L13.5 cm; IC110C: W12.7 x D12.7 cm; IC111C: W12.7 x D23.5 cm; IC112C-R3, IC112C-R3-HS: L17.8 x H10.7 cm; IC113C: W12.7 x D19 cm)

**Weight** — IC102C-R2, IC110C, IC113C: 0.1 kg; IC111C: 0.2 kg; IC112C-R3, IC112C-R3-HS: 0.3 kg.

## The complete package

What you get when you order the Serial Interface Cards.

### IC102C-R2

- (1) Serial Host Adapter—4 Port
- (1) DB37F-to-4xDB25M octopus cable, approximately 0.9 m long
- (2) 3.5" serial utility diskettes
- (1) User's manual

### IC110C

- (1) Dual Port RS-232 Serial Interface
- (2) 3.5" serial utility diskettes
- (1) User's manual

### IC111C

- (1) Four Port RS-232 Serial Interface
- (2) 3.5" serial utility diskettes
- (1) DB37M-to-4xDB25M octopus cable, approximately 0.9 m long
- (1) User's manual

### IC112C-R3 or IC112C-R3-HS

- (1) 8 Port RS-232 Serial Interface or (1) 8 Port High-Speed RS-232 Serial Interface
- (2) 3.5" serial utility diskettes
- (1) DB78HDM-to-8xDB25M octopus cable, approximately 0.9 m long
- (1) User's manual

### IC113C

- (1) Dual Port RS-232/422/485 Serial Interface
- (2) 3.5" serial utility diskettes
- (1) User's manual

## For these and other components...

Call our expert Technical Support Staff for all your converter needs. They'll help you find the best equipment for your application.

## Ordering Information

This information will help you place your order quickly.

### PRODUCT NAME

### ORDER CODE

Serial Host Adapter—4 Port.....	IC102C-R2
Dual Port RS-232 Serial Interface.....	IC110C
Four Port RS-232 Serial Interface .....	IC111C
8-Port RS-232 Serial Interface .....	IC112C-R3
8-Port High-Speed RS-232 Serial Interface.....	IC112C-R3-HS
Dual Port RS-232/422/485 Serial Interface .....	IC113C