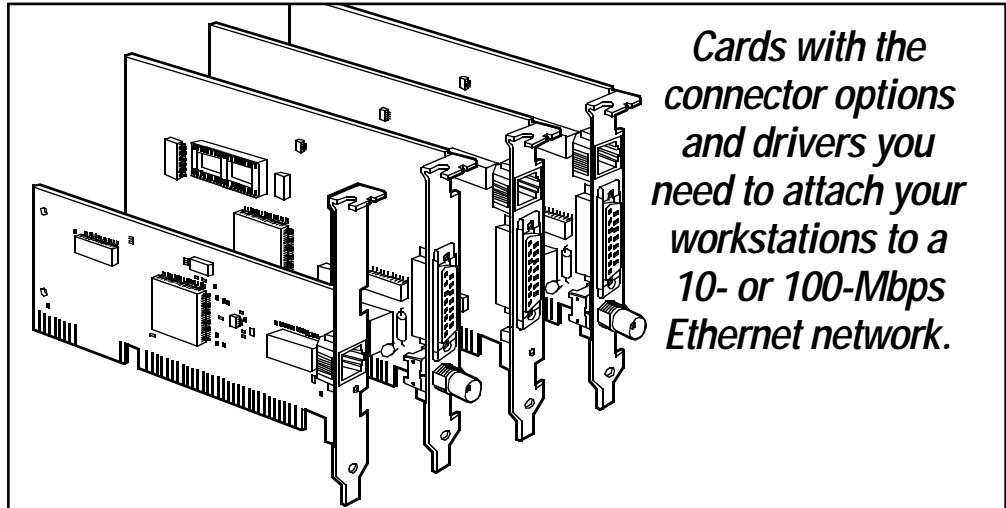




# BLACK BOX<sup>®</sup>

## NETWORK SERVICES

### 3COM<sup>®</sup> NETWORK INTERFACE CARDS



*Cards with the connector options and drivers you need to attach your workstations to a 10- or 100-Mbps Ethernet network.*

#### Key Features

- ▶ *Plug-and-play operation through AutoLink software.*
- ▶ *Patented Parallel Tasking<sup>®</sup> technology gives these NICs unsurpassed throughput and low CPU usage.*
- ▶ *Dynamic Access software provides ultimate network performance, control, and management for your entire network.*
- ▶ *Models available to support all of your network needs—10 or 100 Mbps, TX or T4 versions.*
- ▶ *Fully-compatible with all applicable Ethernet standards.*

3Com's range of Network Interface Cards sets the industry standard for easy and powerful networking. With the variety of cards available, you are sure to find the NIC that makes it easy for you to connect your desktop and portable computers to your LAN.

All 3Com NIC's offer these unique features:

- Dynamic Access<sup>™</sup> software gives intelligence to your NICs via Fast IP, traffic prioritisation, efficient multicast control, and distributed RMON support. And this means you get the best performance, control, and management for your entire network.
- Parallel Tasking<sup>™</sup> technology provides optimal performance and the highest data transmission speeds by reading the data frame as it is passed through without waiting for the entire frame

to be sent through and received. This unique technology automatically and constantly adjusts the timing of network interrupts that would normally slow down network performance.

- Parallel Tasking<sup>™</sup> II architecture provides for even greater performance gains. Taking advantage of the latest PCI bus design, this advanced technology enables the bus master to send data as fast as it is received, which translates into lower CPU usage, faster data transmissions, and higher throughput.
- AutoInstall<sup>™</sup> software offers plug-and-play compatibility with Windows 95 and automatic NIC detection and configuration.
- LEDs that indicate link integrity, activity, and speed and SNMP-manageability make troubleshooting easy.

#### 10-Mbps Ethernet NICs

Choose from EtherLink XL PCI and ISA models. XL PCI NICs are ideal for use in switched and multimedia environments. ISA NICs are ideal for use in client/server and conventional LANs.

#### PC Cards

These items are the best solution for notebooks. Both the PC Cards and the Modem PC Cards come with the appropriate cables you need for your installation.

#### 100-Mbps Ethernet NICs

Choose from Fast EtherLink XL PCI models that enable you to combine 10BASE-T and either 100BASE-TX or 100BASE-T4. Or choose the EISA for combining 10-BASE-T and 100BASE-TX.

# Specifications

## Bus Widths:

10-Mbps NICs: 16-bit ISA, 32-bit PCI;  
 PC Cards: 16-bit PC Card;  
 100-Mbps NICs: 16-bit ISA, 32-bit PCI, 32-bit EISA

## Cables and Operating Distances:

10Mbps-10BASE-T: Category 3, 4, or 5 UTP on two pairs up to 100 m; (328 ft.)  
 100-Mbps 100BASE-TX: Category 5 UTP on two pairs up to 100 ; (328 ft)  
 At 100 Mbps 100BASE-T4: Category 3, 4, or 5 UTP on four pairs up to 100 m; (328 ft)

## Certification: FCC Class B, Part 15

## Humidity: 10 to 90%, noncondensing

## Operating Temperature:

3C905-T4: 0 to 55°C; ( 32 to 131°F)  
 All others: 0 to 70°C; (32 to 158°F)

## Connectors:

10-Mbps NICs: TPO: (1) RJ-45; TP: (1) RJ-45, (1) AUI; TPC: (1) RJ-45, (1) BNC; Combo: (1) RJ-45, (1) BNC, (1) AUI;  
 PC Cards: TP: (1) RJ-45; Combo: (1) RJ-45, (1) BNC;  
 10/100-Mbps NICs: (1) RJ-45

## Indicators:

10-Mbps NICs: (1) LED, located on the backplate;  
 PC Cards: (1) LED, located on the pendant cable;  
 100-Mbps NICs: (3) LEDs: 10 LNK indicates operation in 10-Mbps mode and link integrity with a 10BASE-T hub; 100 LNK indicates operation in 100 Mbps mode and link integrity with a 100BASE-T hub; ACT flashes to indicate link activity in either 10BASE-T or 100BASE-T model

## Power Requirements:

10-Mbps NICs:  
 XL PCI: +5V ± 5% at 250 mA max. +12V ± 5% at 500 mA max.;  
 ISA: +5V ± 5% at 150 mA max. +12V ± 5% at 500 mA max.; +5 V ± 5% @ 50 mA;  
 PC Cards on twisted-pair: +5V ± 5% @ 48 mA max.;  
 PC Cards on coax: +5V ± 5% @ 198 mA max.;  
 100-Mbps NICs:  
 XL PCI TX: +5V ± 5% at 650 mA max. +12V ± 5% at 50 mA max.;  
 XL PCI T4: +5V ± 5% at 500 mA max. +12V ± 5% at 50 mA max.;  
 EISA: +5V ± 5% at 1150 mA max. +12V ± 5% at 110 mA max.

## Size:

10-Mbps NICs:  
 XL PCI: TPO: 7.6 Hx 12.2W cm; (3"H x 4.8"W)  
 ISA: TP/Combo: 15.6H x 10.2W cm; (6.1"H x 4"W)  
 TPC: 15.6H x 7.8W cm; (6.1"H x 3"W)  
 TPO: 15.6H x 6.4W cm; (6.1"H x 2.5"W);  
 PC Cards: 8.7H x 5.4W x .5D cm; 3.4 ("H x 2.1"L x 0.2"D)  
 100-Mbps NICs:  
 XL PCI TX: 12H x 8.6W cm, (4.8"H x 3.4"W)  
 XL PCI T4:15H x 10.7W cm, (5.9"H x 4.2"W);  
 EISA: 15.6H x 10.5W cm, (6.2"H x 4.2"W).

# Ordering Information

## ITEM

## CODE

### 10-Mbps Ethernet NICs

#### EtherLink XL PCI

32-Bit (10BASE-T only).....3C900-TPO  
 5 Pack.....3C900-TPO-5PK

#### EtherLink III ISA

16-Bit (10BASE-T only).....3C509B-TPO  
 5 Pack.....3C509B-TPO-5PK  
 16-Bit (10BASE-T/AUI) .....3C509B-TP  
 5 Pack.....3C509B-TP-5PK  
 16-Bit (10BASE-TPC/Coax)

5 Pack .....3C509B-TPO-5  
 16-Bit Combo (10BASE-T/Coax) .....3C509B-COMBO  
 5 Pack .....3C509B-COMBO-5PK

#### EtherLink III PC Cards

LAN PC Card (10BASE-T—comes with one 10BASE-T cable) .....3C589D-TP  
 LAN PC Card Combo (10BASE-T/Coax—comes with [1] combo cable) .....3C589D-COMBO  
 LAN Modem PC Card (10BASE-T—comes with [1] RJ-45 cable, [1] modem connector cable with Data Access Agreement [DAA] and [2] RJ-11 female connectors, and [1] RJ-11 double-male phone cable).....3C562D-TP  
 LAN Modem PC Card Combo (10BASE-T/Coax—comes with [1] LAN interface cable with BNC and RJ-45 connectors, [1] RJ-45 cable, [1] modem connector with DAA and [2] RJ-11 connectors, [1] RJ-11 double-male phone cable) .....3C562B-COMBO

### 10/100-Mbps Fast Ethernet NICs

#### Fast EtherLink

XL PCI TX (10BASE-T/100BASE-TX) .....3C905B-TX  
 5 Pack.....3C905B-TX-5PK  
 XL PCI T4 (10BASE-T/100BASE-T4).....3C905-T4  
 EISA (10BASE-T/100BASE-TX) .....3C597-TX  
 5 Pack .....3C597-TX-5PK