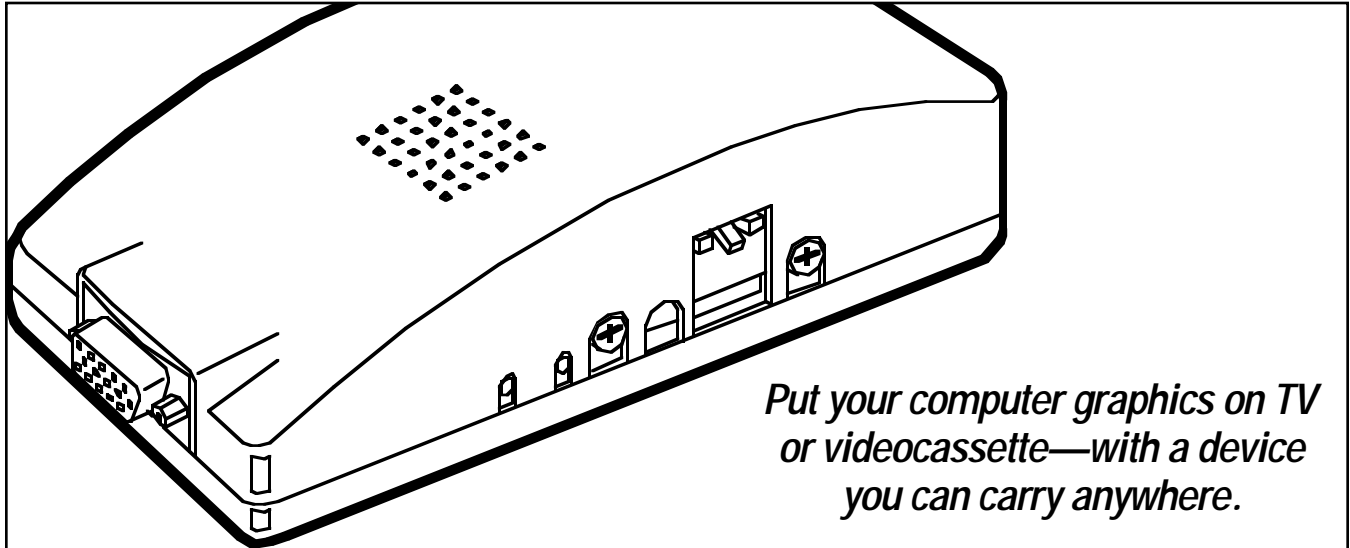


# BLACK BOX<sup>®</sup>

## NETWORK SERVICES

### VGA TO VIDEO PORTABLE II



*Put your computer graphics on TV or videocassette—with a device you can carry anywhere.*

#### Key Features

- ▶ **Converts VGA to NTSC- or PAL-compatible composite video or S-Video.**
- ▶ **Can display 16.7 million colors at up to 1024 x 768 in NTSC mode, or up to 65,000 colors at up to 800 x 600 in PAL mode.**
- ▶ **Fits easily in a pocket or purse.**
- ▶ **Requires no additional software—works with any version of Windows<sup>®</sup>.**
- ▶ **Powered from the keyboard interface.**

You don't have to haul a 31" monitor or a VCR around to do presentations, training, demos, seminars, or video recordings that depend on computer graphics. And you don't have to ask people to crowd around your laptop, either.

The VGA to Video Portable II can send your VGA graphics to any NTSC or PAL TV, VCR, or video projector that can accept standard composite or S-Video input. And the unit itself is just a little larger than a pack of cards.

When you're converting images into PAL format, the VGA to Video Portable II supports resolutions up to the primary Super VGA (SVGA) standard of 800 x 600 pixels in 16-bit color (that is, up to 65,000 colors). For NTSC format, the converter supports resolutions up to 1024 x 768 in 24-bit or "true" color (that is, over 16 million colors—more

shades than the human eye can distinguish).

As small as it is, the VGA to Video Portable II has a number of fine-tuning controls. Not only can you select NTSC or PAL, you can adjust the image's position, and zoom or resize the image on the TV.

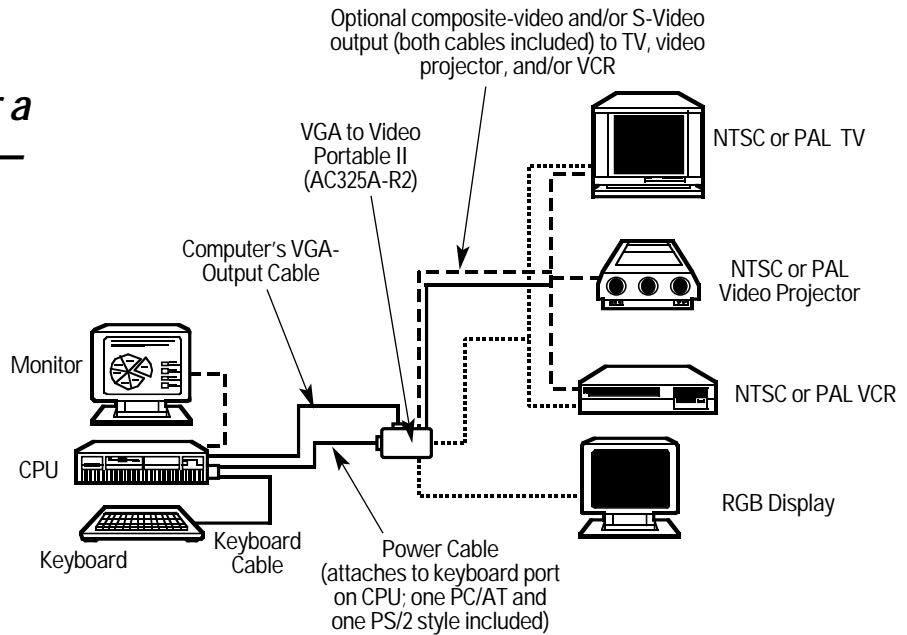
The VGA to Video Portable II works with any version of Windows. And it can connect to either NTSC or PAL video.

The VGA to Video Portable II includes most necessary cables (see the *What the Package Includes* section, below).

#### What the Package Includes

- A VGA to Video Portable II.
- (2) 45.7-cm (18") power cables for attachment to the CPU's keyboard port: (1) AT<sup>®</sup> style (with 5-pin DIN male and female connectors), (1) PS/2<sup>®</sup> style (with 6-pin mini-DIN male and female connectors).
- (1) RCA<sup>®</sup> video cable.
- (1) S-Video cable.
- (1) VGA input Y cable.
- (1) Stereo audio cable.
- A users' manual.

**Interconnect all the equipment you'll need for a truly stellar presentation—with a kit no bigger than a book.**



## Typical Applications

- Use the VGA to Video Portable II to project your sales graphics onto an 84" screen for maximum impact.
- Go to any client/investor site that has a TV and demo computer-generated animation.

## Why Buy From Black Box? Exceptional Value. Exceptional Tech Support.

### Recognise any of these situations?

- You wait more than 30 minutes to get through to a vendor's tech support.
- The so-called "tech" can't help you or gives you the wrong answer.
- You don't have a purchase order number and the tech refuses to help you.

According to a survey by Data Communications magazine, 90% of network managers surveyed say that getting the technical support they need is extremely important when choosing a vendor. But even though network managers pay anywhere from 10

to 20% of their overall purchase price for a basic service and support contract, the technical support and service they receive falls far short of their expectations—and certainly isn't worth what they paid.

At Black Box, we guarantee the best value and the best support. You can even consult our Technical Support Experts before you buy if you need help selecting just the right component for your application.

Don't waste time and money—call Black Box today.

## Specifications

**Compliance** — CE, FCC Part 15 Class A, DOC Class/MDC classe A

**Color** — NTSC: Up to 24-bit ("true") color (16.7 million colors); PAL: Up to 16-bit color (65,536 colors)

**Resolution (Maximum)** — 640 x 480: Up to 85 Hz refresh rate; 800 x 600: Up to 75 Hz refresh rate; 1024 x 768: Up to 60 Hz refresh rate

**Operating Systems Supported** — MS-DOS® 3.3 or higher, Windows 3.x/95/98, Windows NT®, Windows 2000, and Windows Me

**Video Input Standards** — VGA analog from VGA card or CRT port of notebook computer

**Video Output** — NTSC or PAL (selectable); composite; S-Video; VGA signal pass through

**Maximum Distance** — From unit to TV: 3 m (9.8 ft.); From unit to monitor: 3.3 m (1 ft.)

**User Controls** — (6) Image-positioning pushbuttons; (1) 4-position DIP switch for NTSC/PAL selection

**Connectors** — (2) DB15 ("DB15HD," "HD15") female ([1] VGA in, [1] VGA out); (1) 4-pin mini-DIN female (S-Video out); (1) RCA female (composite out); (1) barrel jack (power)

**Power** — From the interface

**Size** — 9.4H x 5.6W x 2.8D cm (3.7"H x 2.2"W x 1.1"D)

**Weight** — 0.1 kg (0.2 lb.)

## Ordering Information

ITEM	CODE
VGA to Video Portable II .....	AC325A-R2