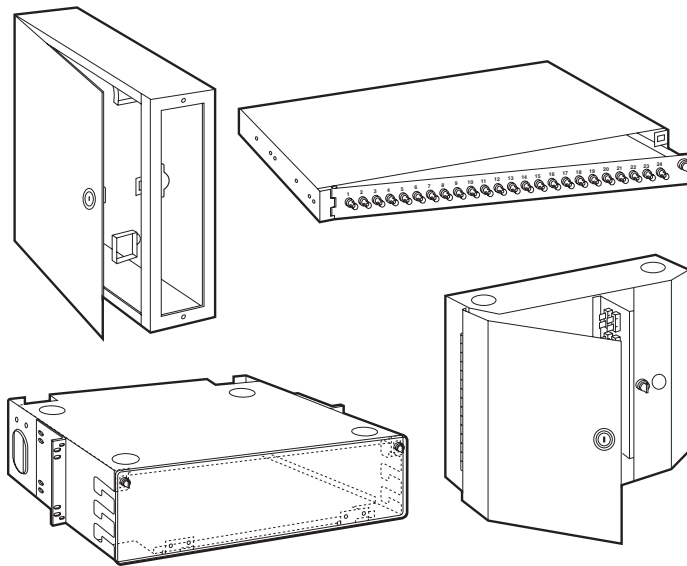


BLACK BOX[®]

NETWORK SERVICES

Wall Cabinet and Rackmount Patch Panels

Organize your fiber cabling with these compact units.



Key Features

- ▶ *Constructed of 16-gauge steel.*
- ▶ *Coated with electrostatically applied powder paint.*
- ▶ *Minimal assembly required.*
- ▶ *Flexible fiber management.*
- ▶ *Full hinges and well-fitted doors.*
- ▶ *Two sizes of wall mount models available.*
- ▶ *Wallmount models are fully enclosed: Incoming and outgoing cables are segregated.*

The Black Box Wall Cabinet and Rackmount Patch Panels help you organize your fiber cabling. A complete system consists of a Wall Cabinet or Rack with installed Panels and Adapters.

Fiber interconnect panels (patch panels) are required whenever multiple fiber cables are terminated for interconnection to active equipment or for patching from vertical to horizontal runs. The "technician's side" of the panels has facilities for securing the cable, storing fiber stack, and arranging and identifying the terminated fibers. The "user's side" of the panels has similar features for the management of optical patchcords.

Panels are available for rack-mounting or wall-mounting.

If you have lots of space, choose rack-mounting. This practice allows for better cable management and closer positioning of active equipment to the panel. Choose Fiber Rackmount Patch Panels with Installed Adapters for 3-Rack slots or Fiber Rackmount Patch Panels with Installed Adapter for 1-Rack slot.

If you have limited rack space or very low fiber count, choose from our pre-configured Fiber Wall Cabinets with Installed Panels and Adapters or create your own by purchasing blank

Cabinets, then ordering your Fiber Panels with Installed Adapters separately.

Two blank cabinets are available: One fits 6/12 fiber adapters and the other fits 12/24 fiber adapters.

With these blank cabinets, you will also want to order 6-Port, 12-Port, or 24-Port Multimode Adapters with SC or ST connectors.

All Rack- and Wall-mount fiber panels and cabinets are constructed of 16-gauge CRS and coated with electrostatically applied powder paint.

Typical Application

These termination and cable management products support single mode or multimode fiber applications.

Get the maximum use of your wiring closet with these compact units.

Technically Speaking

The cabinets, racks, and panels support single-mode or multimode fiber applications. The panels are available in unloaded or pre-loaded ST and SC versions. The pre-loaded versions are equipped with adapters that have high-quality phosphor bronze alignment sleeves and may be used in most single mode and all multi-mode applications.

Rackmount panels occupy a standard 19" or 23" equipment rack.

If the panel is not preloaded with adapters, they're easy to install. Take care to orient the adapters in a consistent manner, with all keyways in the same direction. Simply place the designation strip holders over the adapters as needed. The panel is symmetrical and can be mounted with adapter keyways facing up or down.

Specifications

Material—16-gauge cold-rolled steel

Fiber Wall Cabinets:

Size—JPM300A: 10"H x 7.5"W x 2.5"D (25.4 x 19 x 6.4 cm); JPM310A: 10"H x 10"W x 2.5"D (25.4 x 25.4 x 6.4 cm)

Fiber Wall Cabinets with Installed Panels/Adapters:

Size—JPM320A, JPM325A: 30.5 x 35.6 x 8.3 cm; JPM330A, JPM335A: 40.6 x 35.6 x 16.5 cm

Fiber Rackmounted Patch Panels, 3 Rack Slots:

Size—JPM340A, JPM345A: 13.5 x 43.2 x 29.2 cm; JPM350A, JPM355A: 17.8 x 43.2 x 29.2 cm

Fiber Rackmounted Patch Panels, 1 Rack Slot:

Size—JPM360A, JPM365A, JPM370A, JPM375A: 4.6 x 43.2 x 27.9 cm

Additional equipment you may need:

- Fiber Connector Kits and Microscope
- Fiber Cable Testers
- Fiberoptic Cable

For these and other components...

Call our expert Technical Support Staff for all your LAN needs. They'll help you find the best equipment for your application.

Ordering Information

This information will help you place your order quickly.

PRODUCT NAME	ORDER CODE
Fiber Wall Cabinets (Blank Cabinets)	
6/12 Fiber Adapters	JPM300A
12/24 Fiber Adapters	JPM310A
Wall Cabinet Fiber Panels with Installed Adapters	
6-Port ST	JPM302A
6-Port SC	JPM304A
12-Port ST	JPM306A
12-Port SC	JPM308A
24-Port ST	JPM312A
24-Port SC	JPM314A
Fiber Wall Cabinets with Installed Panels and Adapters	
24-Port ST	JPM320A
24-Port SC	JPM325A
48-Port ST	JPM330A
48-Port SC	JPM335A
Fiber Rackmount Patch Panels with Installed Adapters	
3 Rack Slots	
24-Port ST	JPM340A
24-Port SC	JPM345A
48-Port ST	JPM350A
48-Port SC	JPM355A
Fiber Rackmount Patch Panels with Installed Adapters	
1 Rack Slot	
12-Port ST	JPM360A
12-Port SC	JPM365A
24-Port ST	JPM370A
24-Port SC	JPM375A