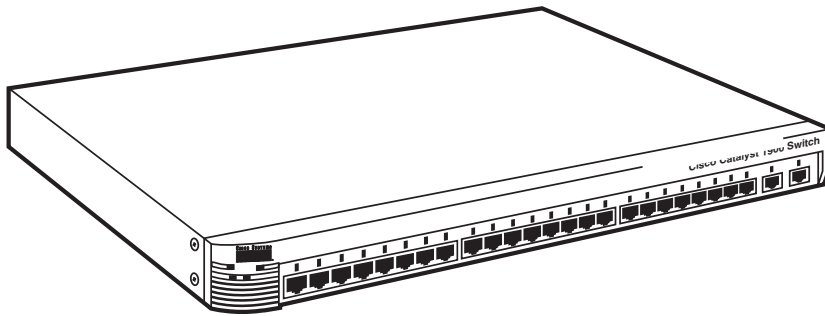


BLACK BOX[®]

NETWORK SERVICES

Cisco Catalyst 1900 Series Ethernet Switches



The latest switching technology—all for the price of a hub.

Key Features

- ▶ *Low-cost switching for workgroups or individual desktops.*
- ▶ *12 or 24 10BASE-T ports offer dedicated 10-Mbps Ethernet to attached nodes.*
- ▶ *100BASE-TX or 100BASE-FX uplinks ideal for high-speed server or backbone connections.*
- ▶ *Standard Edition models are upgradable to Enterprise Edition.*

Technically Speaking

Looking to boost performance in your entire Ethernet network—and get the benefits of the latest switching technology for the price of a hub? Look no further—invest in the Cisco Catalyst 1900 Series Ethernet Switches.

The Standard Edition Switches can be used for powerful switching on smaller-scale LANs and can provide future scalability. Enterprise Edition Switches are perfect for adding functionality to large, complex LANs and WANs.

Use the 10BASE-T ports for dedicated 10-Mbps links to your attached devices. Then

use the high-speed uplink ports for 100 Mbps of bandwidth out to server or backbone connections—and virtually eliminate sever bottlenecks.

You can set one or both of the high-speed uplink ports to CollisionFree full-duplex mode for full-duplex operation. And that means you'll get up to 200-Mbps throughput at distances up to 2 km.

Configure and manage the Cisco 1900 Series Switches via any SNMP-compatible management device for in-band control, or use the management console's menu-driven interface for in-depth out-of-band control.

You can mount the Switches easily in any 19" rack, so you can conserve valuable workspace and wiring-closet space.

The Enterprise Edition Switches offer quite a few additional features. Support for Ethernet VLANs and ATM-emulated LANs helps administrators segment their networks logically, providing broadcast storm control, security, and scalability

through easier adds, moves, and changes.

Each Enterprise Edition Switch can accommodate up to 1024 port-based VLANs with Inter-Switch Link (ISL) trunking on 100BASE-T ports and up to 64 ELANs.

Additional features include full-duplex operation on all ports, bandwidth aggregation, and user-selectable congestion-control features that provide intelligent traffic flow control between switches (or between a switch and a server).

The Enterprise Switches also support Cisco Group Management Protocol (CGMP). When used in conjunction with Cisco routers, these switches optimize bandwidth between and within workgroups by selectively forwarding IP multicasts generated by multimedia applications only to targeted desktops.

If you already own a Standard Edition switch and you want to upgrade it to an Enterprise Edition, use the Enterprise Edition Software Upgrade Kit.

Specifications

CE Approval — All items listed are approved

Operation — Full-duplex on all Ethernet and Fast Ethernet ports

MAC Addresses — 1024

Forwarding Bandwidth — Up to 370 Mbps maximum

Aggregate Packet-Forwarding Rate — 550,000 packets per second (in 64-byte packets)

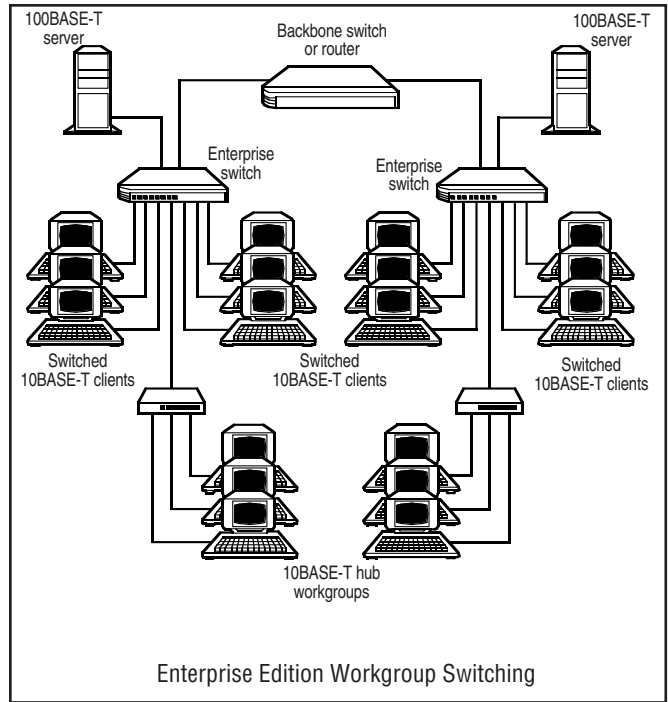
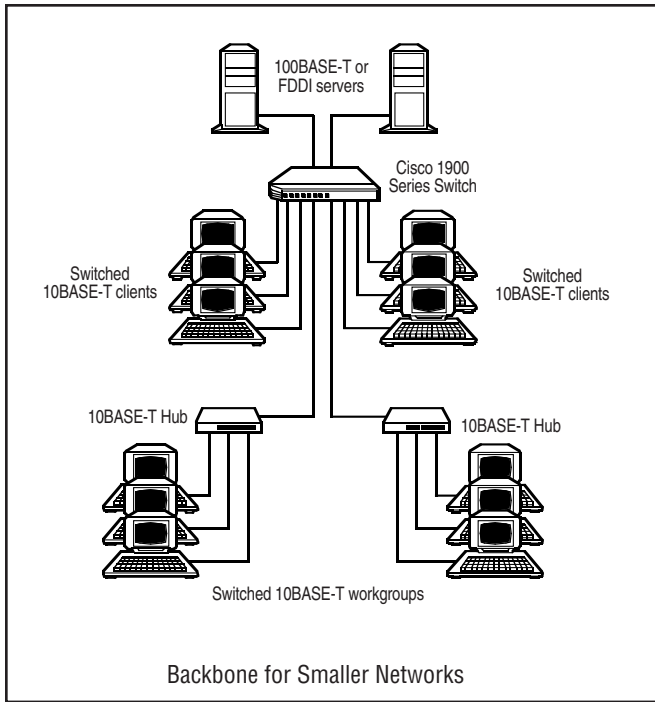
Connectors — All 10BASE-T and 100BASE-TX: RJ-45; All 100BASE-FX: SC

Indicators — Per-port status: Link Integrity Disabled, Activity, Full Duplex; System status: System, RPS Module Enabled, Bandwidth Utilization

Power — 110/220 VAC, 50 to 60 Hz

Size — 4.3 x 44.5 x 21.1 cm

Weight — 3.2 kg



Ordering Information

This information will help you place your order quickly.

For these and other components...

Call our expert Technical Support Staff for all your LAN needs. They'll help you find the best equipment for your application.

PRODUCT NAME

ORDER CODE

Cisco Catalyst 1900 Series Ethernet Switches

Standard Edition Switches (Software Upgradable)

(12) 10BASE-T ports, (2) 100BASE-TX ports	WS-C1912-A
(12) 10BASE-T ports, (1) 100BASE-TX port, (1) 100BASE-FX port	WS-C1912C-A
(24) 10BASE-T ports, (2) 100BASE-TX ports	WS-C1924-A
(24) 10BASE-T ports, (1) 100BASE-TX port, (1) 100BASE-FX port	WS-C1924C-A

Enterprise Edition Switches (with IOS Software)

(12) 10BASE-T ports, (2) 100BASE-TX ports.....	WS-C1912-EN
(12) 10BASE-T ports, (1) 100BASE-TX port, (1) 100BASE-FX port	WS-C1912C-EN
(24) 10BASE-T ports, (2) 100BASE-TX ports.....	WS-C1924-EN
(24) 10BASE-T ports, (1) 100BASE-TX port, (1) 100BASE-FX port	WS-C1924C-EN

Enterprise Edition Software Upgrade Kit.....	WS-C19/28EEUG
--	---------------