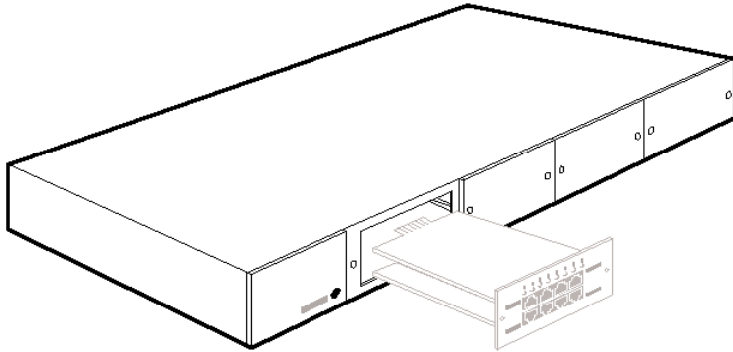




# BLACK BOX<sup>®</sup>

## NETWORK SERVICES

### Modular Hub



*Each chassis slot functions as a MAU, an RI/RO unit, or a Repeater—just add the appropriate module!*

#### Technically Speaking

##### The Chassis

Install up to four modules in one chassis. Depending on which module you install, each chassis slot can function as a ring-in/ring-out unit, a MAU, or a repeater.

The chassis contains a backplane that provides an edge card connector for each module. You can install or remove modules without disrupting the network.

Two mounting brackets are supplied with the Chassis. You can mount the chassis in a

19-inch rack or secure it on a flat surface or shelf.

##### MAU-8 Module

There are 8 lobe ports on each MAU-8 Module. When an attached device on a lobe becomes active, the respective lobe LED lights.

##### Repeater Modules

These Modules let you expand the distance of your Token-Ring network using either inexpensive Type 3 (unshielded twisted-pair) cable or Type 1 or Type 2 cable.

You can increase the size of the main ring, lengthen individual station lobes (which may be more economical than extending the main ring), or both.

##### Ring-In/Ring-Out Modules

Each module has a Ring In and a Ring Out port connector. The Ring In

connector on the module receives the Ring Out cable from a connecting device. The Ring Out connector on the module must connect to the Ring In connector of a connecting device.

Use these modules to daisychain Modular Hubs or to connect a Modular Hub to another MAU.

#### For these and other components...

*Call our expert Technical Support Staff for all your LAN needs. They'll help you find the best equipment for your application.*

#### Specifications

**Speed** — LT803, LT811, LT813, LT821, LT823: 4 and 16 Mbps

**Connectors** — LT811, LT821: (2) Data; LT813, LT823: (2) RJ-45; LT803: (8) RJ-45

**Indicators** — LT800A: Power; LT811, LT813: (1) each for Data, Station, Ring-In Loopback, Ring-Out Loopback; LT803: (8) Active station

**Power** — LT800A: 115 VAC, 60 Hz, 25 watts when fully populated

**Size** — LT800A: 4.3 x 43.7 x 20.3 cm

**Weight** — LT800A: 2.3 kg when fully populated

## Ordering Information

*This information will help you place your order quickly.*

PRODUCT NAME	ORDER CODE
Modular Hub Chassis.....	LT800A
Modules	
MAU-8, Type 3 .....	LT803
Repeater, Type 1.....	LT811
RI/RO, Type 1.....	LT821
RI/RO, Type 3.....	LT823
Modular Hub Blank Faceplate .....	LT850