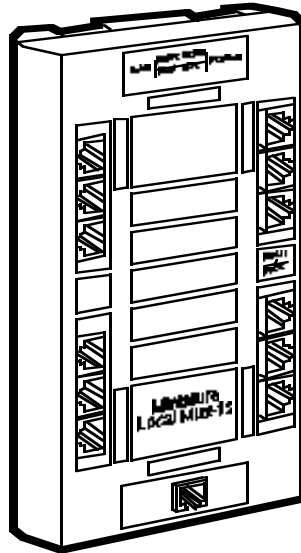




# BLACK BOX<sup>®</sup>

## NETWORK SERVICES

### Miniature Local Mux-12



*Connect up to  
12 async terminals to  
an async host over  
twisted-pair cable.*

#### Key Features

- ▶ *Compact, time-division multiplexor.*
- ▶ *Powered by an external 230-VAC power supply.*
- ▶ *Subchannel speeds up to 19.2 Kbps.*
- ▶ *Composite speed up to 1.2288 Mbps.*
- ▶ *LEDs indicate power, synchronization, and loopback.*
- ▶ *Configurable for 6 or 12 sub-channels.*
- ▶ *Distances up to 1 mile (1.6 km).*

Use the Miniature Local Mux-12 to multiplex up to 12 async terminals onto a single 4-wire twisted-pair cable, in point-to-point applications.

A built-in line driver extends the distance that the multiplexed data travels up to 1 mile (1.6 km) at 19.2 Kbps.

The Mux is powered from an AC adapter.

The 12 subchannels are connected by RJ-45 connectors accessible from the top panel.

Four LEDs function as follows:

- The Power LED is ON when the unit is powered.
- The Local Sync Loss LED is ON when synchronization is lost at the local Mux.

- The Remote Sync Loss LED is ON when synchronization is lost at the remote Mux.

- The Test LED is ON when the Mux is performing a loopback.

An over-sampling technique is used by the Mux to enable each one of the 12 channels to be sampled at a rate of 78.6 Kbps.

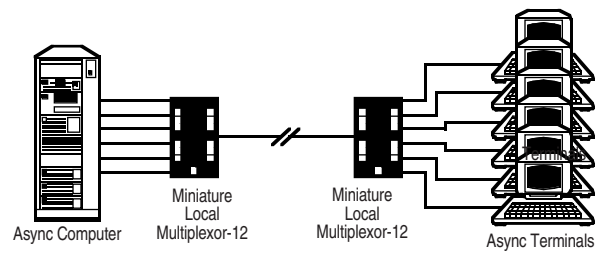
While the main application for the Mux is for point-to-point configurations at distances up to 0.6 miles (1 km), other applications are possible. For example, you can use the Mux in a ring-type configuration with clusters of terminals distributed in several locations. This application, however, limits the bit rate of the sub-channels.

#### Typical Application

*Connect up to 12 terminals to a host via the MX873A and twisted-pair cable.*

Use a pair of Muxes to connect 12 async terminals to an async host in a point-to-point configuration, or create a ring configuration, as shown in the diagrams at right.

Figure 1. Point-to-point configuration.



## Technically Speaking

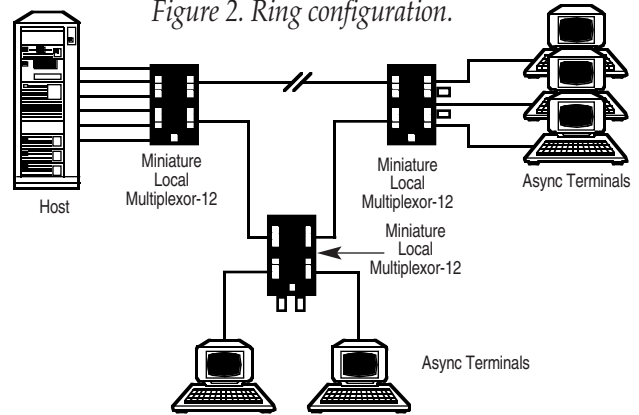
### How the Mux Works

- The Mux can be strapped for 6 or 12 sub-channels mode of operation to suit your application.
- Multiplexing is implemented using an over-sampling technique, which enables each one of the 12 channels to be sampled at a rate of 78.6 Kbps.

### Applications

- The Mux-12 primary application is for point-to-point configurations at distances of up to 0.6 miles (1 km). A cluster of terminals can be connected to a host computer through a single link.
- A second application of the Mux-12 is to install clusters of terminals distributed in several locations in a ring configuration. At each site, the unconnected channels must be bypassed by shorting TX pin to RX pin of the relevant sub-channel's connector. However, this application limits the bit rate of the sub-channels, since oversampling distortions are accumulative.

Figure 2. Ring configuration.



### Additional equipment you may need:

- Unshielded Twisted-Pair Cable
- Connector and gender adapters

### For these and other components...

Call our expert Technical Support Staff for all your Multiplexing needs. They'll help you find the best equipment for your application.

## Ordering Information

This information will help you place your order quickly.

PRODUCT NAME	ORDER CODE
Miniature Local Multiplexor-12 .....	MX873AE
<i>Remember to order cables:</i>	
Twisted-Pair Cable .....	EYN712A
<i>You might also need adapters:</i>	
DB9-to-RJ-45 Adapters.....	FA755, FA756
DB25-to-RJ-45 Adapters.....	FA770, FA771

### Specifications

**Multiplexing Technique** — Time-division

**Flow Control** — None

**Interface** — RS-232C/V.24, DCE

**Operating Temperature** — 32 to 122° F (0 to 50° C)

**Humidity** — Up to 95% noncondensing

**User Channels** — 12

**Protocol** — Async

**Data Format** — Async, full-duplex

**Speed** — Subchannel: Up to 19.2 Kbps; Composite: 1.2288 Mbps

**Maximum Distance** — 1.6 km (1 mile) at 19.2 Kbps over 22 AWG wire

**Indicators** — (4) LEDs: Power, Local Sync Loss, Remote Sync Loss, Test

**Connectors** — Subchannel: (12) RJ-45 female; Composite: (1) RJ-45 female

**Power** — PS017AE power supply, Input power: 230 VAC, 50 Hz; Output power: 9 VDC

**Size** — 3.4 x 11.4 x 18.7 cm

**Weight** — 0.3 kg