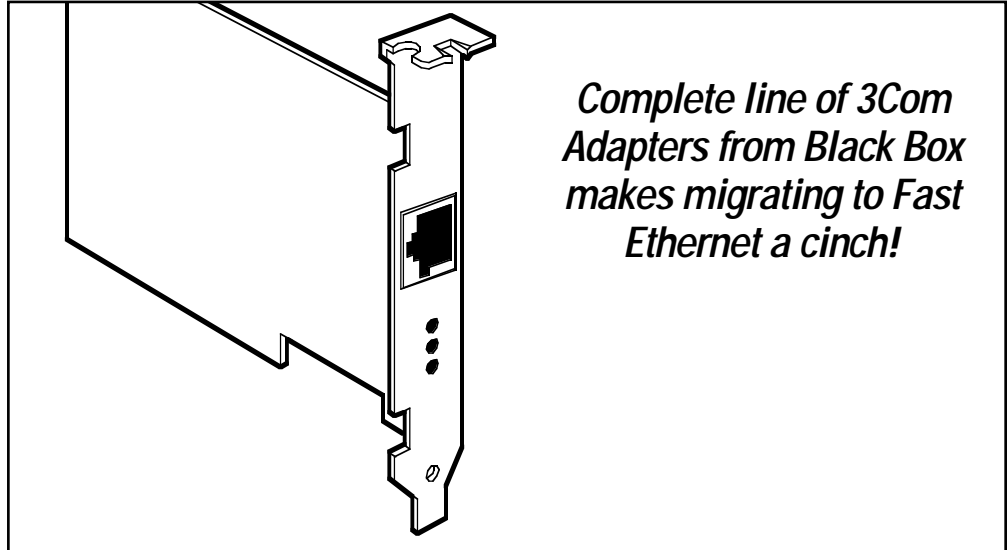




# BLACK BOX<sup>®</sup>

## NETWORK SERVICES

## FAST ETHERLINK 10/100 ADAPTERS



*Complete line of 3Com  
Adapters from Black Box  
makes migrating to Fast  
Ethernet a cinch!*

### Key Features

- ▶ **Models available for 386, 486, Pentium, or later PCs.**
- ▶ **Choose your cable, then select a card to match—we've got models that will run Fast Ethernet over Category 5 twisted-pair cable only or over Category 3, 4, or 5 cable.**
- ▶ **Includes plug-and-play support for Windows 95 or 98 and AutoLink installation software.**
- ▶ **Complies with popular Ethernet standards.**
- ▶ **Patented 3Com NIC technology (parallel tasking) speeds data transmission and reception.**

3Com and Black Box present the Fast Ethernet Cards. No matter what kind of PC processor or twisted-pair cable you have installed, we have a Fast Ethernet card for you!

The 3Com Fast Ethernet Cards come in varieties for the newer PCI bus used in Pentium and later PCs and in models for the older ISA and EISA buses used in 386- and 486-based PCs.

When upgrading your system to Fast Ethernet, cabling is sometimes your most costly investment. Take full advantage of Fast Ethernet over Category 5 cable (using the PCI bus) via the Fast EtherLink XL PCI TX card (3C905B-TX), or (using the ISA or EISA bus) via the 3C515-TX or 3C597-TX. Or if you want to use your existing Category 3 cables along with the PCI bus, choose the Fast EtherLink XL PCI T4 card (3C905-T4).

All the Cards give you maximum cable distances of 100 m (328 ft.). They're easy to install, too, since they include plug-and-play support for Windows 95 or 98 and AutoLink installation software.

And the Cards comply with industry network standards, including IEEE 10BASE-T, 100BASE-TX, and 100BASE-T4 (relevant standards depend on the model you order).

The Cards offer the following additional features:

- All the Cards:
- 3Com's Patented Parallel Tasking architecture eliminates bottlenecks and maximizes performance.

Fast EtherLink XL PCI TX

- Dynamic access software (for more information, see the Technically Speaking section on page 2.)

Fast EtherLink XL PCI T4

- 10BASE-T and Fast Ethernet connection over Category 3, 4, or 5 UTP.

Fast EtherLink ISA or EISA

- Lets you make the most of your installed systems. These cards bring high-performance networking to older ISA or EISA PCs.

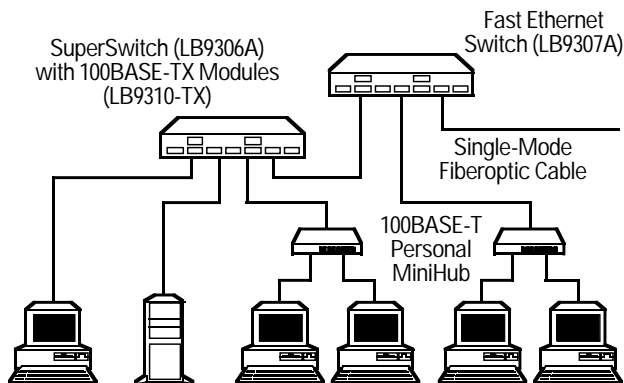
Fast EtherLink EISA

- Complete driver set.

### Typical Application

Mix and match Fast Ethernet cards in your network depending on the type of PCs and cabling that you're using.

## Run Fast Ethernet for the PCI bus with Category 3, 4, or 5 cable, or for the ISA or EISA bus with Category 5 cable.



## Technically Speaking

### Remote Wake-Up

The XL PCI TX Adapters (3C905B-TX) allow network managers to remotely power up PCs for after-hours administration. The Adapters are fully ACPI compliant and include a 3-pin Remote Wake-Up connector and cable for auxiliary power in case the PC is powered off when the wake-up signal is sent. To use this feature, your PC's motherboard must have a 3-pin Remote Wake-Up connector, a desktop or network management application capable of sending a Remote Wake-Up packet or Magic packet, like HP TopTools, Intel LANDesk Client Manager, or NetView.

### Dynamic Access

XL PCI Adapters (3C905B-TX and 3C905-T4) are active network components that interact intelligently with the network. Advanced dynamic access features include PACE Interactive Access technology, Desktop dRMON (Distributed RMON) support, Efficient Multicast Control, PACE real-time and

multimedia application support, and PictureTel LiveShare Plus dataconferencing software.

### About the Cabling

The IEEE 100BASE-T specification lists two types of twisted-pair cable: 100BASE-TX and 100BASE-T4. Only Category 5 unshielded twisted-pair cable complies to the 100BASE-TX standard. With the 100BASE-T4 standard, you can use Category 3, 4, or 5 unshielded twisted-pair.

While you might already have Category 3 cable installed and wish to use it to run Fast Ethernet, Category 5 cable does offer some advantages:

- compatibility with the 100BASE-TX specification (IEEE 802.3U).
- reduced crosstalk and attenuation.

If the benefits of keeping your existing cabling outweigh the benefits of Category 5 cable, choose the 3C905-T4 card. You decide what's best for your system, and call Black Box for the 3Com cards you need.

## Specifications

**CE Approval:** All items listed are approved

**Distance:** 328 ft. (100 m)

**PC Bus:** 3C905B-TX, 3C905-T4: PCI; 3C515-TX: ISA; 3C597-TX: EISA

**Recommended Cable:** 3C905B-TX, 3C515-TX, 3C597-TX: 10-Mbps Ethernet: 2-Pair Category 3, 4, or 5 UTP; 100-Mbps Ethernet: 2-Pair Category 5 UTP; 3C905-T4: 10- and 100-Mbps Ethernet: 2-Pair Category 3, 4, or 5 UTP

**Indicators:** (1) 10 LNK indicates 10-mbps operation; (1) 100 LNK indicates 100-Mbps operation; (1) ACT indicates link activity

**Connectors:** (1) RJ-45

**Size:** Half-card

## Additional equipment you may need:

- Unshielded twisted-pair cable
- 10-/100-Mbps Hubs or Switches
- Ethernet transceivers

## Ordering Information

| ITEM  | CODE            |
|---|-----------------|
| Fast EtherLink 10/100 Adapters TX             |                 |
| XL PCI TX .....                               | 3C905B-TX       |
| <i>Order 5, 20, or 100 adapters and save!</i> |                 |
| (5) XL PCI TX Adapters .....                  | 3C905B-TX-5PK   |
| (20) XL PCI TX Adapters .....                 | 3C905B-TX-20PK  |
| (100) XL PCI TX Adapters .....                | 3C905B-TX-100PK |
| Fast EtherLink 10/100 Adapters T4             |                 |
| XL PCI T4 .....                               | 3C905-T4        |
| <i>Order 5 or 20 adapters and save!</i>       |                 |
| (5) XL PCI T4 Adapters .....                  | 3C905-T4-5PK    |
| (20) XL PCI T4 Adapters .....                 | 3C905-T4-20PK   |
| Fast EtherLink 10/100 Adapters ISA            |                 |
| ISA .....                                     | 3C515-TX        |
| <i>Order 5 or 20 adapters and save!</i>       |                 |
| (5) ISA Adapters .....                        | 3C515-TX-5PK    |
| (20) ISA Adapters .....                       | 3C515-TX-20PK   |
| Fast EtherLink 10/100 Adapters EISA           |                 |
| EISA .....                                    | 3C597-TX        |
| <i>Order 5 and save!</i>                      |                 |
| (5) EISA Adapters .....                       | 3C597-TX-5PK    |



Black Box offers the best warranty program in the industry—Fido Protection®. For more information, request **FaxBack 22512**.