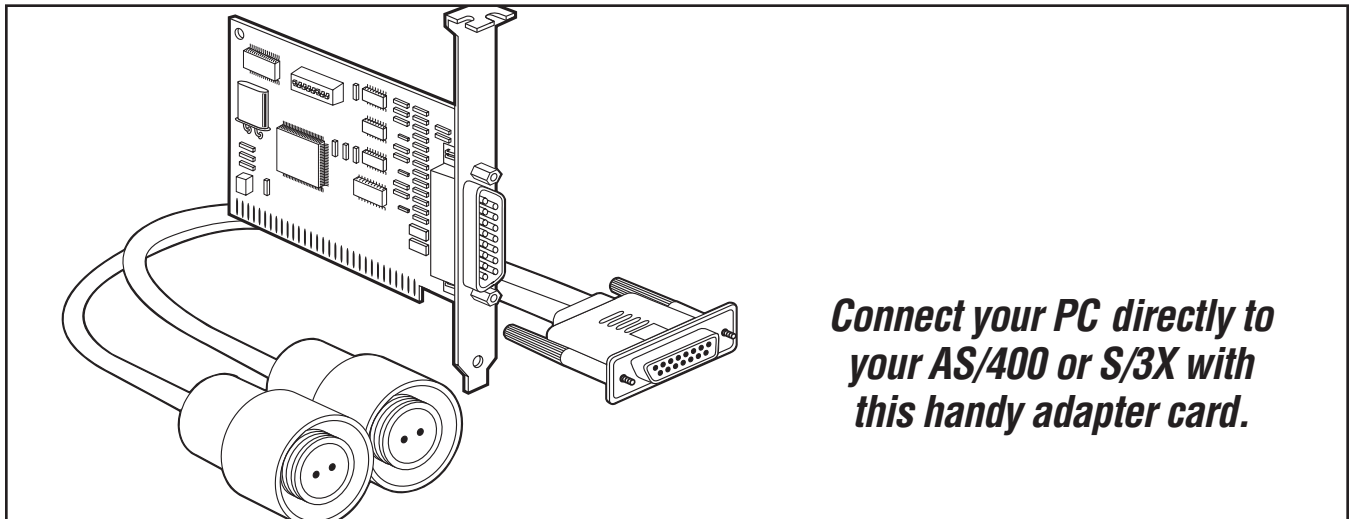


© 2000. All rights reserved.
Black Box Corporation.

BLACK BOX®

NETWORK SERVICES

PC TWINAX ADAPTER CARD



Connect your PC directly to your AS/400 or S/3X with this handy adapter card.

Key Features

- ▶ **Accommodates two host station addresses.**
- ▶ **Run up to five concurrent 5250 sessions with just a single address under AS/400 PC Support.**
- ▶ **Host access and personal computing on one ISA-bus PC.**
- ▶ **Supports a wide variety of terminals, printers, and graphics applications.**
- ▶ **"V" cable included.**

Compatibility isn't a problem anymore. The PC Twinax Adapter Card is 100% IBM register-level compatible, meaning it eliminates software conflicts and ensures continuous, uninterrupted operation even as new PC or IBM host software is introduced.

The adapter card helps your PC emulate IBM 5250 terminals and printers. It provides the benefits of host access and personal computing on one ISA-bus PC. Tested in today's fastest PCs, the PC Twinax Adapter Card provides functionality never before available in a twinax adapter.

Each adapter supports multiple terminal and printer sessions on a PC, including:

- Two sessions with terminal emulation;
- Five sessions with PC Support/400.

Installation and configuration are easy. The half-size card conveniently fits into regular ISA slots. It connects your PC to an

AS/400 or S/3X through twinax cable. But to connect the card using twisted-pair cable, order the optional baluns.

Using the cable-through feature, you're able to connect multiple PCs to one port of the IBM host system—even if one of the daisy-chained PCs isn't in use. A "V" cable, included with the card, enables a direct connection to a twinax daisychain.

The adapter card makes it possible for your PC to maintain

up to two station addresses, as long as the host system is properly configured for each address you plan to use.

Before installing the card in your PC, you just have to be sure the I/O address switches are set to an unused address. You'll have to select the I/O address via DIP switches on the hardware of the PC Twinax Adapter Card.

NOTE: Emulation software is not included.

Specifications

Display Emulation — 5250 terminals

Hardware Requirements — PC with ISA slots

Sessions Supported — Up to 5

Software Requirements — Microsoft® Windows 3.x® or Windows 95/98

Systems Supported — AS/400® and S/3X

Connectors — Card: (1) DB15 M;

Cable: (2) Twinax F, (1) DB15 F

Diagnostics — Included with utility diskette shipped with card

Interface — A: ISA; B: Twinax 5250

Data Rate — Interface B: 1 Mbps

Distance — Interface B: 1524 m (5,000 ft.) total from host to last twinax device

Size — Half-card

Weight — 0.5 kg

What's Included:

- PC Twinax Adapter Card
- Twinax "V" cable
- 3.5" configuration, diagnostics, enabler, and adapter handler diskette
- User manual

Ordering Information

ITEM	CODE
PC Twinax Adapter Card.....	32330
<i>To connect to twisted-pair cable, order...</i>	
Mini Twinax to Twisted Pair Baluns	
Leads Supported: 4, 5	IC067A
Leads Supported: 1, 2	IC068A