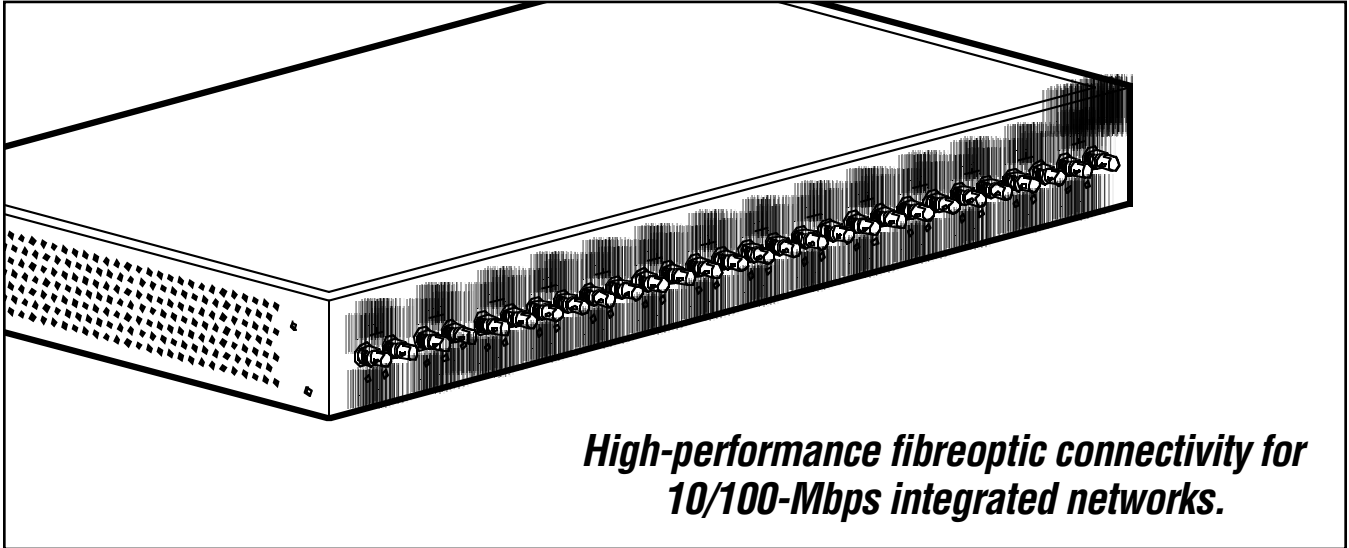




BLACK BOX[®]

NETWORK SERVICES

FIBRE SWITCHES



High-performance fibreoptic connectivity for 10/100-Mbps integrated networks.

Key Features

- ▶ **Configure each port for half- or full-duplex operation.**
- ▶ **Address table holds up to 2000 MAC addresses.**
- ▶ **Cascade ports for connecting two FiberSwitches at 200 Mbps (full-duplex).**
- ▶ **Supports a stacked configuration of up to 24 Ethernet and 4 Fast Ethernet ports.**
- ▶ **High-performance ASIC-based switching.**
- ▶ **IEEE 802.3/802.3u compliant.**

Turbocharge normal network traffic while providing a migration path between existing Ethernet LANs and newer Fast Ethernet networks! FibreSwitches deliver the high-bandwidth connectivity needed for power-user workgroups by providing multiple 10- and 100-Mbps ports for connections and uplinks.

There are twelve 10-Mbps and two 100-Mbps fiber optic ports on each FibreSwitch. (The 10-Mbps ports are for dedicated client connections; the 100-Mbps ports are for high-speed server or backbone uplinks.) Each port can be individually configured for half- or full duplex operation with a DIP switch. Two cascade ports provide a 200-Mbps full-duplex data connection between two FibreSwitches. That means the Switches will support a stacked

configuration of up to 24 Ethernet and 4 Fast Ethernet ports.

Wire speed and a 4-MB buffer memory virtually eliminate network congestion and jitter. The store-and-forward operation automatically filters packets with receive errors, ensuring data reliability.

To serve the functions of workgroups as well as entire departments, the address table stores a total of up to 2000 MAC addresses. And the auto-learning

capability eliminates the need for expensive setup.

Three models are available. The LB9550A-SC comes with one each of multimode SC and ST connectors, the LB9550A-ST has two multimode ST connectors, and the LB9550A-SMSC has one multimode ST and a single-mode SC connector.

The FibreSwitch is compatible with standard 19" rackmount systems and is a mere 1U high.

What the Package Includes

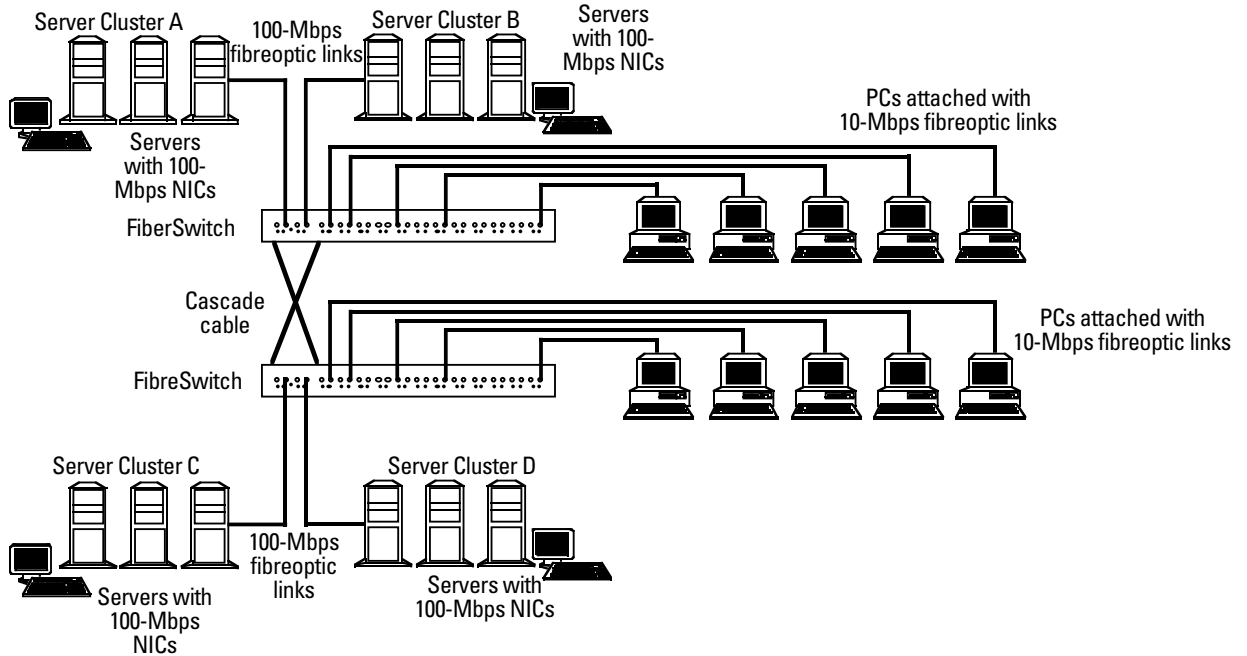
- FiberSwitch.
- Power cord.
- Rack-mounting hardware: 2 rackmount brackets, 4 screws.
- (1) DB25 cascade cable for cascading two FibreSwitches.
- (4) Rubber feet.
- A users' manual.

BLACK BOX SERVICES RESEAUX

46, rue de la Couture - SILIC 195 - 94563 RUNGIS CEDEX -
Téléphone : (33) 01.45.60.67.00 Fax : (33) 01.

[Http://www.blackbox.fr](http://www.blackbox.fr)

Fibre for everyone! Connect user workstations to the 10-Mbps ports. Put servers or high-bandwidth users on the 100-Mbps ports. And double your connections by cascading FibreSwitches—with a blazing 200-Mbps link between them!



Specifications

Standards — IEEE 802.3u/IEEE 802.3, IEEE 801.2d

Data Rate — 10BASE-FL ports: 10 Mbps half-duplex/20 Mbps full duplex; 100BASE-FX ports: 100 Mbps half-duplex/200 Mbps full duplex; Cascade ports: 200 Mbps full duplex

Maximum Distance (Supported Link Length) — 2 km (full duplex) for multimode, 15 km (full duplex) for single mode

Operation — Half- or full duplex

Data Transfer — Full wire speed

Buffer Pool — 4 MB

MAC-Address Learning Capability — 2000 addresses

RX Input Sensitivity — -31 dBm

peak minimum

Cable Type — Multimode interface: 50/125, 62.5/125, 100/140 µm fibreoptic; Single-mode: 8.3/125, 8.7/125, 9/125, 10/125 µm fibreoptic; Cascade interface: Cascade In: DB25 female; Cascade Out: DB25 male

Indicators — (1) LNK and (1) ACT LED for each ST or SC port, PWR

Connectors — All models: (2) DB25 connectors (one male, one female) for the cascade ports; LB9550A-SC: (12) ST (multimode), (2) SC (multimode); LB9550A-SMSC: (12) ST (multimode), (2) SC (single mode); LB9550A-ST: (14) ST (multimode)

User Controls — (14) DIP switches

that determine half- or full duplex operation

Temperature Tolerance — Operating: 0 to 50°C (32 to 122°F); Storage: -30 to +70°C (-22 to +158°F)

Relative Humidity Tolerance — 5 to 95%, noncondensing

Output Power — Multimode interface: -14 dBm to -23.5 dBm (50/125 µm), -14 dBm to -20 dBm (62.5/125 µm); Single-mode interface: -8 dBm to -15 dBm (9/125 µm)

Power — Auto-adjusting 100-240 VAC, 50/60 Hz, 2A, 40 W

Size — 4.3H x 43.8W x 30.5D cm (1.7"H x 17.25"W x 12"D)

Weight — 2.3 kg

Ordering Information

ITEM	CODE
FibreSwitch with (12) 10-Mbps ST Connectors and (2) 100-Mbps mm-SC Connectors	LB9550A-SC
with (12) 10-Mbps ST Connectors and (2) 100-Mbps sm-SC Connectors	LB9550A-SMSC
with (12) 10-Mbps ST Connectors and (2) 100-Mbps mm-ST Connectors	LB9550A-ST
FibreSwitch spare cascade cable	LB9550A-CASC

BLACK BOX SERVICES RESEAUX