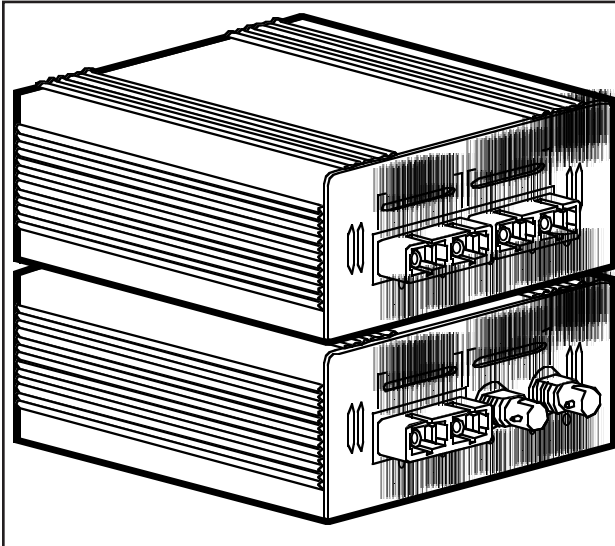


BLACK BOX[®]

NETWORK SERVICES

FIBRE MULTIMODE TO SINGLE-MODE CONVERTERS



Extend the maximum driving distance to 15 km by connecting multimode ports to existing single-mode fibre!

Key Features

- ▶ **Connect multimode ports to existing single-mode fibre.**
- ▶ **Extend the reach of your network with single-mode distances of up to 15 km.**
- ▶ **Perfect for integrating into WANs or a commercial-grade infrastructure.**
- ▶ **Auto-sensing power supply works with local power almost anywhere.**
- ▶ **Automatically adjusts to full or half-duplex operation.**

Avoid multimode fibre's stifling 2-km maximum driving distance by using the Fibre Multimode to Single-Mode Converter. It seamlessly integrates multimode fibre and single-mode fibreoptics, supporting distances of up to 15 km in single mode.

Striving for the best possible performance from your Fast Ethernet network, the Converter provides standard repeater functionality and automatically adjusts to full or half-duplex operation. Plus, full signal restoration and data re-timing eliminate jitter, so you can count on accurate data transmission to and from remote sites.

The Single-Mode model has SC connectors, while the multimode version has SC and ST connectors. Attainable data rates are 100 Mbps in half-duplex and 200 Mbps in full-duplex operation.

The Link Loss Carry Forward (LLCF) feature helps you troubleshoot a remote network configuration. The Fibre LED on the local side will not light if there is a problem with either the UTP or Fibre connection on the remote end.

And when using the Converter with devices that auto-negotiate, simply turn the LLCF switch off, and the Converter will constantly transmit a link signal.

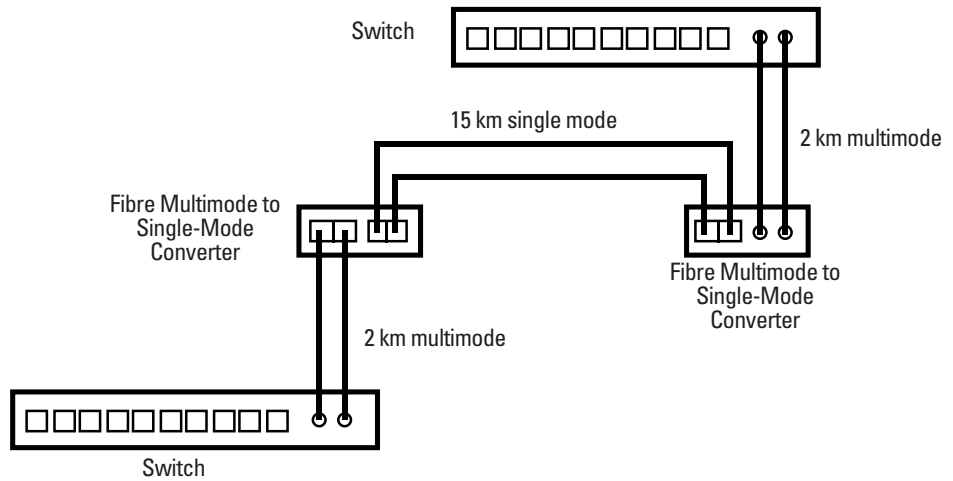
LED indicators confirm that the Converter is on and working properly, that valid data is being received, and that there's satisfactory link status on the respective port.

Power is supplied by an auto-sensing desktop universal power supply.

This Converter is compatible with Ethernet and Fast Ethernet devices from Black Box, Cisco,

Cabletron, 3Com, Bay Networks, LANCAST, Newbridge Networks, and other leading network technology providers.

Without the Fibre Multimode to Single-Mode Converter, you'd have a 2-km maximum distance of multimode fibre between these switches. But with the Converter, you can place the switches up to 15 km apart!



Specifications

Standards — IEEE 802.3u 100BASE-FX

Operation — Half-/full duplex

Data Rate — 100 Mbps half-duplex, 200 Mbps full duplex

Maximum Distance — Single mode: Up to 15 km full duplex; Multimode: Up to 2 km full duplex

RX Input Sensitivity — Single-mode interface: -33 dBm peak minimum; Multimode interface: -31 dBm peak minimum

Cable Type — Single-mode interface: 8.3/125, 8.7/125, 9/125, 10/125 µm fibreoptic; Multimode interface: 50/125, 62.5/125, 100/140 µm fibreoptic

User Controls — Link Loss Carry Forward (LLCF) ON/OFF switch

Indicators — (1) Power, (2) each of ACT and LINK

Connectors — LH7400A-SCSC-R2: (2) SC, (1) DC input jack; LH7400A-STSC-R2: (1) SC, (1) ST, (1) DC input jack

Software — None

Temperature Range — Operating: 0 to 50° C; Storage: -25 to +70° C

Relative Humidity Tolerance — 5 to 95%, noncondensing

Enclosure — Full enclosed metal construction

MTBF — 302,545 hours

Output Power — Single-mode interface: -8 dBm to -15 dBm (9/125 µm); Multimode interface: -14 dBm to -23.5 dBm (50/125 µm); -14 dBm to -20 dBm (62.5/125 µm)

Power — Auto-sensing external wallmount power supply; 90-260 VAC, 50/60 Hz, +5VDC @ 1.2 A

Size — 4.6 x 9.7 x 11.4 cm

Weight — 1.4 kg, including power supply

The Complete Package

- The Fibre Multimode to Single-Mode Converter.
- A Power Supply.
- A Users' Manual.

Additional equipment you might need:

- Terminated Fibre Optic Cable, ST-ST (EFN062)
- Single-Mode Duplex Fibre Optic Cable, ST-ST (EFN5009)
- Single-Mode Duplex Fibre Optic Cable, SC-SC (EFN5010)
- Single-Mode Bulk Fibre Optic Cable (EFN006A)
- Bulk Duplex Fibre Optic Cable, PVC—Riser Applications [OFNR/FT4] (EFN062A)

Ordering Information

ITEM	CODE
Fiber Multimode SC to Single-Mode SC Converter	LH7400A-SCSC-R2
Fiber Multimode ST to Single-Mode SC Converter	LH7401A-STSC-R2