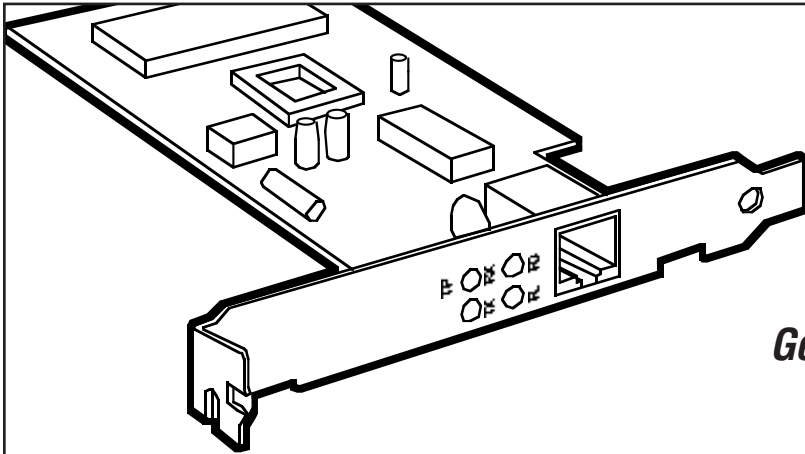




# BLACK BOX<sup>®</sup>

## NETWORK SERVICES

### ECONOMY SERIES ETHERNET ADAPTER CARDS



*Get the performance you expect  
for a price you'll love.*

#### Key Features

- ▶ **Support for all major network operating systems.**
- ▶ **Value priced.**
- ▶ **Diagnostic LEDs.**
- ▶ **Remote boot ROM for network security.**
- ▶ **Conform to IEEE 802.3 and/or 802.3u standards.**
- ▶ **10/100-Mbps models feature dual auto-sensing interfaces and autonegotiation.**

The features you're looking for at an economical price—that's our family of Economy Ethernet Adapter Cards. Combine these cards with our Economy Series Hubs for a fast and economical way to turn any group of PCs into an integrated Ethernet network.

The Economy Series Ethernet Adapter Cards are not only economical, they're adaptable, too. Cards are available for both PCI and ISA slots. And if you're planning to upgrade to Fast Ethernet, our 10/100-Mbps Fast Ethernet Adapters give you an economical upgrade path.

Plus, both the 10- and 100-Mbps cards are compatible with most network operating systems (see the list on page 2).

All Economy Series Ethernet Adapter Cards comply with Plug-and-Play specifications for easy installation without configuration.

The cards feature 16K/32K boot ROM sockets supporting remote Boot ROM for increased network security.

All cards support both half-

and full-duplex modes.

Self diagnostics provide easy troubleshooting and diagnostic LEDs provide a visual indication of network activities.

#### 10-Mbps Ethernet Adapters

Bring any PC into your 10-Mbps Ethernet network just by installing one of these Ethernet adapters into its PCI or ISA slot. Available for either bus, 10-Mbps Ethernet Adapters are completely plug-and-play, making them easy to install in any PC. Plus, they're compatible with a wide range of operating systems (see page 2).

The ISA card supports I/O base addresses 240H, 280H, 2C0H, 300H, and 320H, and IRQs 2, 3, 4, 5, 10, 11, 12, and 15. The PCI card sets the I/O address and IRQ automatically.

The cards feature both a 10BASE-T RJ-45 connector and a ThinNet BNC connector and automatically detect whether the 10BASE-T or the ThinNet port is in use.

The PCI card supports bus-

mastering data transfer.

#### 10/100-Mbps Fast Ethernet Adapters

Install these Fast Ethernet cards in the PCs on your 10BASE-T network for networking now. Then when you upgrade to Fast Ethernet, you won't have to purchase new Ethernet adapters. These high-speed cards feature autonegotiating Ethernet connections which automatically adjust to 10- or 100-Mbps Ethernet.

The 10/100-Mbps cards set the I/O address and IRQ automatically. They support a wide range of operating systems (see page 2) and bus-mastering data transfer.

The WOL (Wake-up-On-LAN) feature allows you to power up the computer system from a central location instead of turning on each individual workstation.

# Specifications

**Standards** — IEEE 802.3 10BASE-T, 10BASE2 Ethernet; IEEE 802.3u 100BASE-TX

**Topologies** —

LE1040C, LE1043C:  
10BASE-T, 10BASE2;

LE1045C:

10BASE-T, 100BASE-TX

**Protocol** — CSMA/CD

**Network Data Transfer Rates** —

10-Mbps Ethernet: 10 Mbps (half duplex), 20 Mbps (full duplex);  
100-Mbps Ethernet: 100 Mbps (half duplex), 200 Mbps (full duplex)

**Network Media** — UTP Category 3, 4, 5 (100 M); EIA/TIA-568 100-ohm STP (100 M); RG-58A/U 50-ohm thin coaxial cable (185 M)

**I/O Addresses** — LE1040C: 200H-

320H; LE1043C–LE1045C:  
Allocated by system

**IRQs** — LE1040C: 2, 3, 4, 5, 10, 11, 12,

15; LE1043C–LE1045C: Allocated

by system

**Connectors** — All: (1) RJ-45;  
LE1040C, LE1043C: (1) BNC

**Indicators** —

LE1040C, LE1043C: LINK;  
LE1045C: LINK, TX, RX, PWR

**Operating Temperature** —

0 to 55° C (32 to 131° F)

**Storage Temperature** —

-20 to +80° C (-4 to +176° F)

**Relative Humidity** — 10 to 90%

**MTBF** — 40,000 hours

**Size** —

LE1040C:  
6.4H x 15.2W x 1.8D cm  
(2.5"H x 6"W x 0.7"D );  
LE1043C–45C:  
6.4H x 12.7W x 1.8D cm  
(2.5"H x 5"W x 0.7"D )

**Weight** — 0.1 kg

# Supporting Network Operating Systems

- Novell NetWare 3.x, 4.x (ODI driver included)
- Windows NT 3.5/3.51/4.0
- Windows 95, 98
- Windows for Workgroups 3.1/3.11
- Windows 3.1
- Microsoft LAN Manager for DOS
- Microsoft LAN Manager for OS/2
- SCO UNIX
- DEC Pathworks 4.0
- NDIS 2/3
- NetBIOS
- IBM LAN Server
- Packet driver
- Artisoft Lantastic 4.x, 5.x (LE1040C, LE1043C)
- Artisoft Lantastic 6.x (LE1044C, LE1045C)
- Banyan (LE1044C, LE1045C)

## Ordering Information

ITEM	CODE
Economy Series Ethernet Adapter Cards	
10-Mbps ISA Card .....	LE1040C
10-Mbps PCI Card .....	LE1043C
10/100-Mbps PCI Card with WOL .....	LE1045C
<i>You may also want to order...</i>	
Category 5 Patch Cable, 100-MHz, 4-Pair, Straight-Pinned, PVC, Beige, 10-ft. (3-m) .EVMSL05-0010	