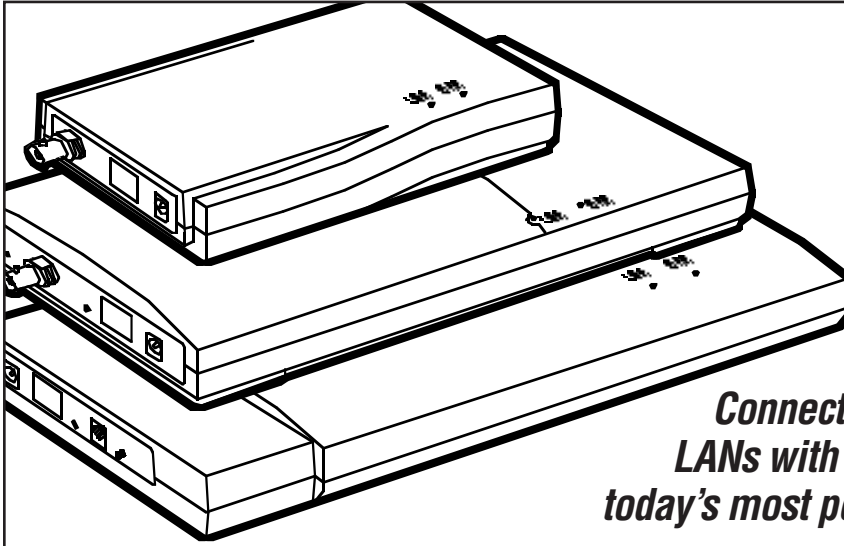


BLACK BOX[®]

NETWORK SERVICES

ETHERNET PRINT SERVERS



Connect printers seamlessly to LANs with simultaneous support for today's most popular network environments.

Key Features

- ▶ **Supports all major operating systems.**
- ▶ **One printer can act as up to 3 or 8 virtual printers.**
- ▶ **Auto-sensing Ethernet connections.**
- ▶ **High-speed bi-directional parallel ports.**
- ▶ **Servers connect directly to the Ethernet network via an integral 10BASE2 or 10BASE-T connector.**

Conveniently place shared printers anywhere in an office—even access printers via the Internet. With the Ethernet Print Servers, users running different operating systems (Mac, Windows, Novell, UNIX, and more) and different LAN protocols (AppleTalk, IPX/SPX, TCP/IP, NetBEUI, and many others) on Ethernet networks can share printer resources.

Three models are available:

- The Ethernet Print Server Jr. has one high-speed bi-directional parallel port and both 10BASE-T and 10BASE2 auto-sensing Ethernet connectors. One physical printer can function as three virtual printers, each with customized features such as ASCII to PostScript conversion and multiple bin selection.

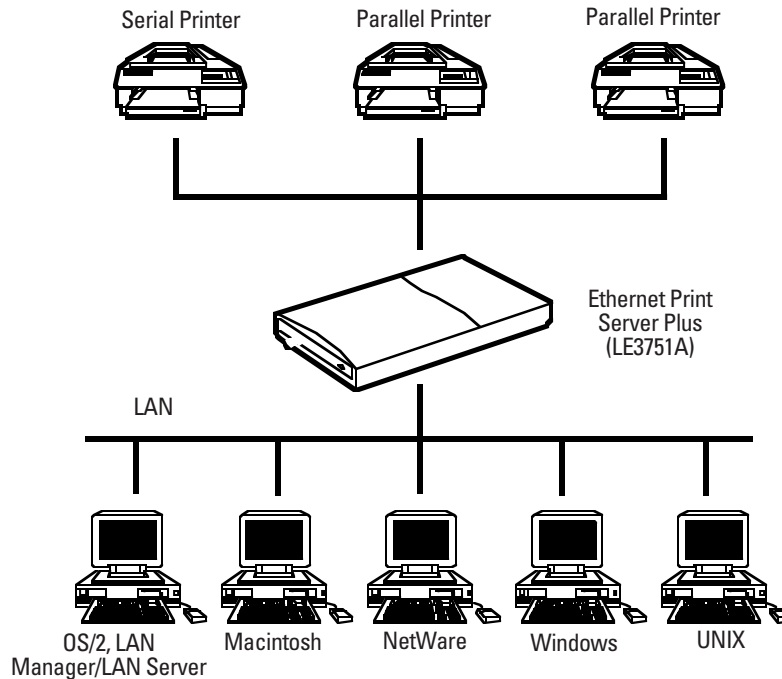
- The Ethernet Print Server Plus offers two bi-directional high-speed parallel ports for connecting two physical printers that act as eight virtual printers each. It also has one serial port, which lets you connect another serial device, such as a plotter.
- The 10/100 Print Server Plus offers an affordable and efficient network printing solution for existing 10-Mbps networks and provides an easy migration path to 100-Mbps Fast Ethernet. It provides three high-speed bi-directional parallel ports, allowing each physical printer to be used as eight virtual printers. And the network port on the Server automatically senses if your network is running at 10 or 100 Mbps and configures accordingly.

All three Servers connect directly to the Ethernet network via a 10BASE-T or 10BASE2 port. (The 10/100 Print Server Plus connects at either 10 or 100 Mbps.)

What's more, the Servers support all major operating systems. And the included software assures that you have everything you need. For more information about the software, see the Technically Speaking section on page 2.

The Servers also feature Internet printing. Remote users can print from any Windows application (using the supplied driver) to network attached printers via the print server. And print jobs are sent to an email account assigned to the print server.

Connect two parallel printers and one serial printer to your LAN via the Ethernet Print Server Plus. Each printer has eight print queues, giving you a total of 24 virtual printers.



Specifications

Systems Supported — LAN Server, Macintosh®, Microsoft® LAN Manager, NetWare®, NetWare Bindery and NDS, OS/2 Warp, Windows® 95/98, Windows NT®, Windows for Workgroups, UNIX®

Printer Ports —

LE3750AE: (1) bidirectional parallel; LE3751AE: (2) bidirectional parallel, (1) DB9 serial; LH3700AE: (3) bidirectional parallel

Management — SNMP, HTTP (Windows NT® only)

Special Features — Internet printing

Protocols —

Macintosh: Apple® EtherTalk®; Microsoft®: PTP over NetBEUI or

TCP/IP, SMB over NetBEUI, TCP/IP; Novell®: IPX™, NCP, RIP, SAP, SPX, CAPTURE, NPRINT, PCONSOLE, PSERVER, RPRINT; UNIX: ARP, BOOTP, FTP, ICMP, LPD, LPR, RARP, TCP/IP, UDP

Speed — LE3750AE, LE3751AE: 10-Mbps half-duplex; LH3700AE: 200 Mbps full-duplex

Power — LE3750AE, LE3751AE: 9 VDC, 0.5 A; LH3700AE: 12 VDC, 1 A

Size — LE3750AE: 3.2 x 8.8 x 12 cm; LE3751AE: 2.9 x 12.7 x 20.4 cm; LH3700AE: 2.5 x 13.2 x 23 cm

Technically Speaking

Handy software is included with the Servers. For example, if you're using NetWare, the QUICKSET program allows one-step configuration. And LAN clients using Windows and IPX, NetBEUI, or TCP/IP can use the supplied BiAdmin program to configure and manage the print servers.

The Servers support multiple platforms, including AppleTalk,

NetWare, TCP/IP, and Windows peer-to-peer network support.

Supplied management tools include PSConfig (DOS), WPConfig (Windows 3.1), BiAdmin (Windows 95/98/NT), and WebAdmin (Windows NT Server).

Firmware upgrades are a snap with these Servers. Any PC on the network can perform the upgrade to the print server. Call Technical Support for details.

Ordering Information

ITEM	CODE
Ethernet Print Servers	
Ethernet Print Server Jr.....	LE3750AE
Ethernet Print Server Plus.....	LE3751AE
10/100 Print Server Plus.....	LH3700AE

You might also need to order cables:

Category 5 Solid-Conductor Cable, 4-Pair, Straight-Pinned, PVC, 10-ft. (3.0-m).....	EYN737MS-0010
---	---------------

What's Included

- Print Server
- Software
- User's manual