



# BLACK BOX<sup>®</sup>

## NETWORK SERVICES

### NETRACK PLUS

*NetRack and accessories neatly hold your equipment and cables.*

#### Key Features

- ▶ **Loads of space within the rack to fit bulky cables.**
- ▶ **Fully assembled.**
- ▶ **Locking doors.**
- ▶ **Simply remove the side panels to join the rack to other racks or cabinets.**
- ▶ **Comm Cabinet accessories fit this Rack.**

The NetRack Plus is a fully assembled, ready-to-use cabinet. Just add your equipment and plug it in—that's it! See the illustration on [page 2](#) for a list of the NetRack Plus's features.

Additional features:

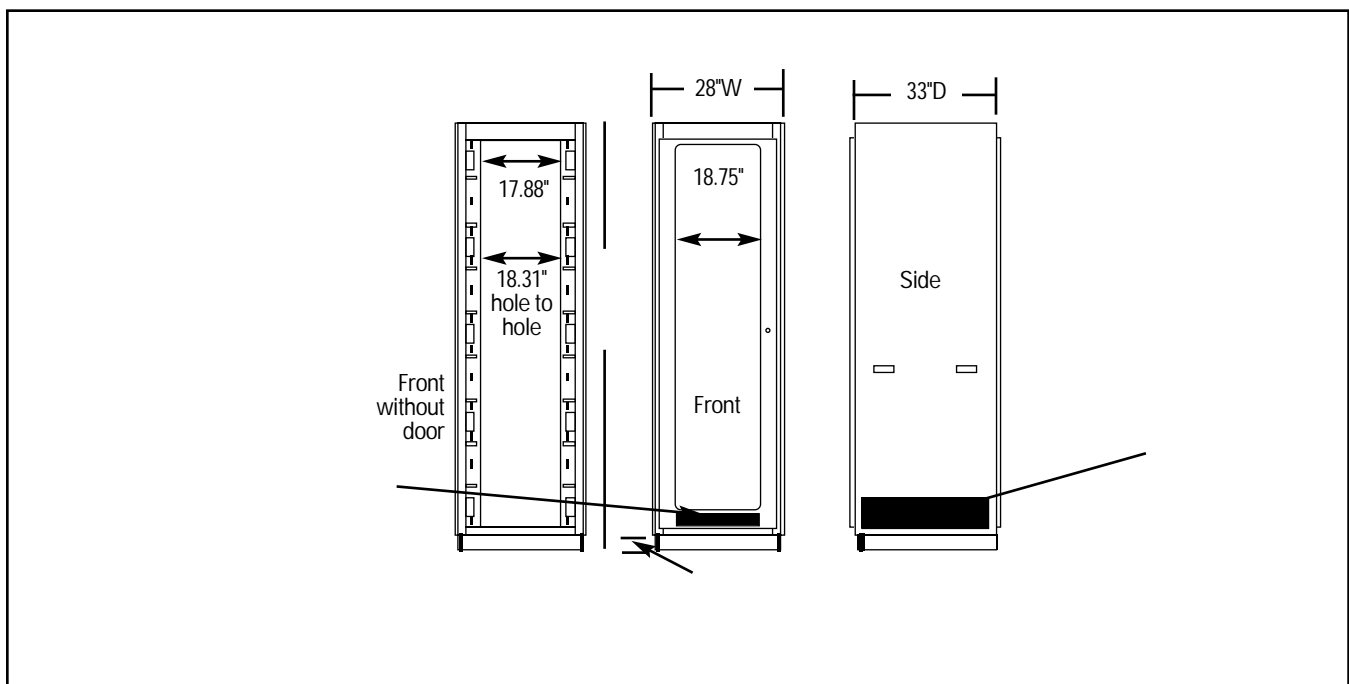
- Ample space inside the cabinet—large bundles of wire and cable fit without a problem.
- These fully welded and assembled racks, constructed of heavy 12-gauge steel, have a 1360-kg (3000-lb.) load rating.
- Locking doors provide quick access and security.

- The Plexiglas<sup>®</sup> door can easily be changed from left- to right-opening with quick-release pins.
- Easily join the NetRack Plus frame to other racks or cabinets—just remove the side panels.
- For extra shelving, order sliding, fixed solid, or fixed vented shelves.

The Sliding Shelf (RM170) holds 34 kg (75 lb) and measures 57.5 cm (22.63") deep.

The Fixed Solid Shelf (RM171) and the Fixed Vented Shelf (RM172) each support up to 45.4 kg (100 lb) and measure 58.4 cm (23") deep.

- Our Comm Cabinet accessories will fit this Rack. See [page 3](#) for a list of compatible products, or check your BLACK BOX Catalog<sup>®</sup> for additional information.



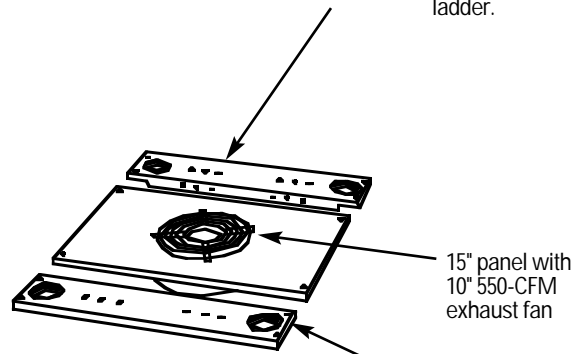
# Organise your equipment and cables with the NetRack Plus.

The NetRack Plus contains four full-length vertical organizers with front-to-rear and inside-to-outside cable feed-through holes.

19" rails meet EIA-310-D standards and contain  $1\frac{1}{32}$ " mounting holes and bridge lances for securing cable. Heavy-duty reusable ties included.

Vertical cable organizers feature cable feed-through holes and cable rings.

Ladder rack mounting holes accept 6", 9", 12", and 15" wide ladder.

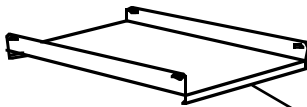


15" panel with 10" 550-CFM exhaust fan

Overhead interior lighting

Cable access panels contain 3" holes with grommets and plugs. Soft grommets protect cable and prevent kinks.

Modular top panels can be field-adjusted to accommodate various cooling and cable-management scenarios.



Heavy-duty equipment shelf.

Shelving options include:

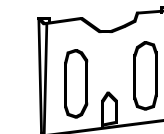
Sliding Shelf (RM170). It features a 34-kg (75-lb) capacity. It's 57.5 cm (22.63") deep—almost as deep as the fixed shelves.

Fixed Solid Shelf (RM171). It's 58.4 cm (23") deep and can support up to 45.4 kg (100 lb).

Fixed Vented Shelf (RM172). It's 58.4 cm (23") deep and can support up to 45.4 kg (100 lb).

Durable frame allows for a 1362kg (3000-lb). load rating

16-gauge rear door with lock, bottom vents, and removable hinge pins



8.5" x 11" storage pocket on rear door holds equipment manuals

Front Plexiglas® door has a lock, bottom vent, and removable hinge pins.

Modular, vented side panels feature easy-lift handles.

Six-outlet power strip (125V, 15 amps)

A pontoon base has leveling feet and power-cord access hole.

Set of 4 full-swivel, heavy-duty casters (rated at 90.8kg [200 lb.] each) is available.

Open bottom provides room for cable entry and exit.

## Specifications

**Interior Panel Space Width**—48.3 cm (19")

**Exterior Width**—71.8 cm (28.28")

**Interior Opening Height (without Door)**—RM550A, RM555A: 111.1 cm (43.75"); RM560A, RM565A: 177.8 cm (70")

**Overall Height**—RM550A, RM555A: 132.1 cm (52"); RM560A, RM565A: 198.1 cm (78")

**Depth**—83.8 cm (33")

**Material**—12-gauge steel

**Rack Spaces**—RM550A, RM555A: 25U; RM560A, RM565A: 40U

**Size**—RM550A, RM555A: 132H x 71.1W x 83.8D cm (52"H x 28"W x 33"D); RM560A, RM565A: 198.1H x 71.1W x 83.8D cm (78"H x 28"W x 33"D)

**Shipping Weight**—RM550A, RM555A: 109.3 kg (241 lb.); RM560A, RM565A: 142.9 kg (315 lb.)

## Compatible Comm Cabinet Accessories

- Short Steel Doors
- Long Steel Door, Vented
- Fan Trays
- Filler Panels
- Plexidoors
- Door Lock

## Why Buy From Black Box? Exceptional Value. Exceptional Tech Support.

### Recognise any of these situations?

- You wait more than 30 minutes to get through to a vendor's tech support.
- The so-called "tech" can't help you or gives you the wrong answer.
- You don't have a purchase order number and the tech refuses to help you.

According to a survey by Data Communications magazine, 90% of network managers surveyed say that getting the technical support they need is extremely important when choosing a vendor. But even though network managers pay anywhere from 10

to 20% of their overall purchase price for a basic service and support contract, the technical support and service they receive falls far short of their expectations—and certainly isn't worth what they paid.

At Black Box, we guarantee the best value and the best support. You can even consult our Technical Support Experts before you buy if you need help selecting just the right component for your application.

Don't waste time and money—call Black Box today.

## Ordering Information

ITEM	CODE
NetRack Plus	
52"	
Black .....	RM550A
Beige .....	RM555A
78"	
Black .....	RM560A
Beige .....	RM565A
NetRack Plus Accessories	
Shelves (Black)	
Sliding .....	RM170
Fixed Solid.....	RM171
Fixed Vented.....	RM172
Heavy Duty Casters (Set of 4).....	RM173-R2