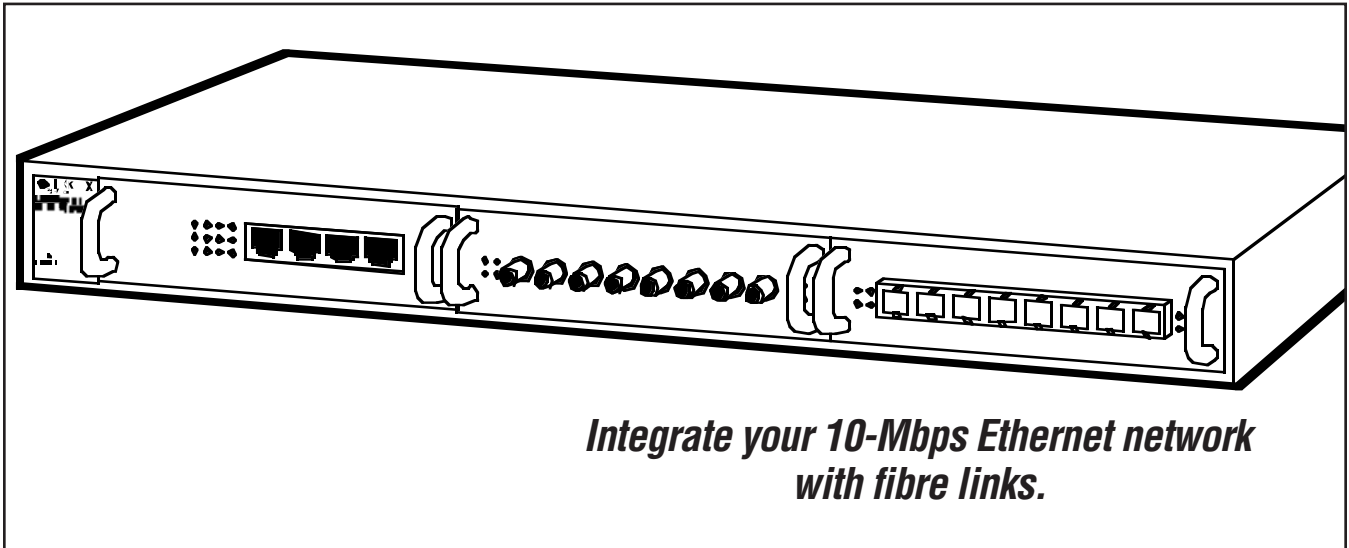




# BLACK BOX<sup>®</sup>

## NETWORK SERVICES

### MAX EXPRESS ETHERNET SWITCH, 12-PORT



#### Key Features

- ▶ **Modules feature a variety of different FX or TX combinations.**
- ▶ **Choose between ST, SC, or MT-RJ connectors.**
- ▶ **Configure fixed speed and duplex modes through the console port.**
- ▶ **True non-blocking switch architecture.**
- ▶ **Full-wire speed forwarding.**

Add fibre links to your standard copper network with the Max Express Ethernet Switch. It's a modular Fast Ethernet switch that supports a variety of connections in a single box.

Customize your application by choosing from a variety of modules. Seven modules are available with the latest connectors, including ST, SC, and MT-RJ. Choose from the following combinations:

- (4) 10/100-Mbps autosensing ports (also known as "NWay")
- (4) 100BASE-FX ST ports
- (4) 100BASE-FX SC ports
- (4) 100BASE-FX MT-RJ ports
- (3) 10/100BASE-TX ports and (1) SC port
- (3) 10/100BASE-TX ports and (1) ST port
- (3) 10/100BASE-TX ports and one MT-RJ port

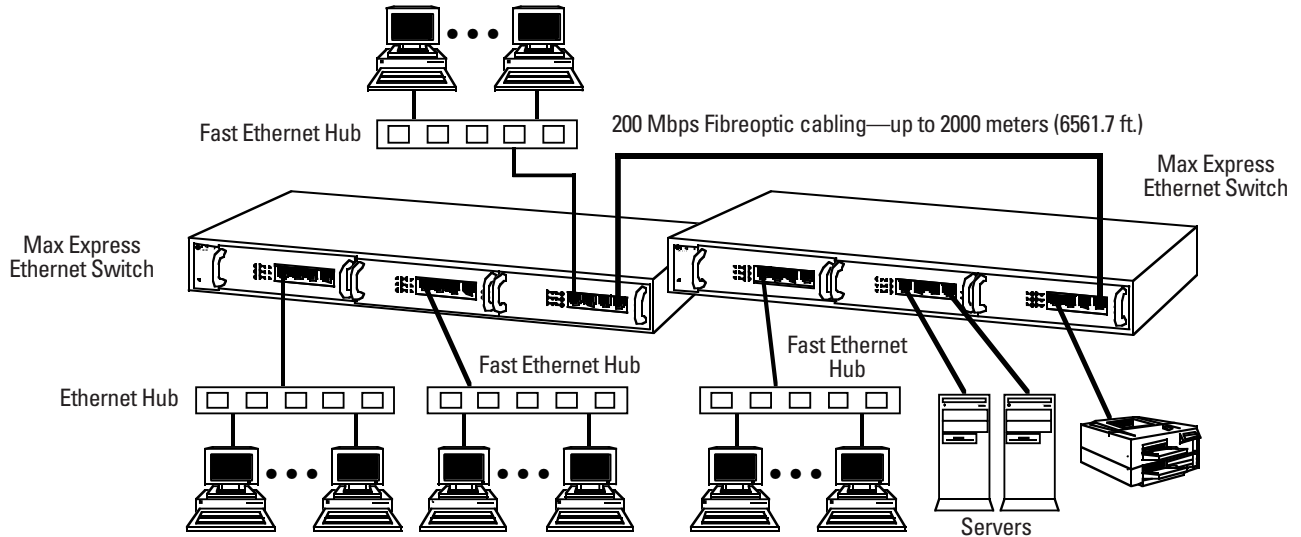
The Switch, with its modules, features 10/100-Mbps auto-negotiation, wire-speed, store-and-forward switching architecture, and port-based VLAN.

The Max Express Ethernet Switch solves the Ethernet problems of costly integration of legacy 10-Mbps equipment, signal interference, and topology limitations. Determine which TX or FX combination best suits your needs, and you won't need to use media converters. Just slide the modules into the power chassis and turn it on.

Other features of the Max Express Ethernet Switch include:

- Uplink port on full TX modules.
- Plug-and-play installation.
- Port-based VLAN.
- Autonegotiation for speed and duplexity on TX ports.
- Store-and-forward mechanism.
- Back pressure and IEEE 802.3x compliant flow control.
- Supports 2K MAC address.
- Front-panel status LEDs and reset switch.
- Standard 19" rackmountable size.

Make the most of your investment in equipment: add fibreoptic links to your existing copper network.



## Specifications

**Maximum Distance:** 10BASE-T: Category 3, 4, and 5: 328 ft. (100 m); 100BASE-TX: Category 5: 328 ft. (100 m); 100BASE-FX: 62.5/125  $\mu$ m fiber: 2000 m (6560 ft.)

**Forwarding Rate:** 10 Mbps: 14,880 pps; 100 Mbps: 148,800 pps

**Switching Method:** Store and Forward

**Speed:** 100BASE-TX, 100BASE-FX: Full-duplex: 200 Mbps; Half-duplex: 100 Mbps; 10BASE-T: Full-duplex 20 Mbps; Half-duplex: 10 Mbps

**Interface:** 10/100BASE-TX (autosensing), 100BASE-FX

**Connectors:** 10BASE-T: RJ-45; 100BASE-TX: RJ-45; 100BASE-FX: ST®, SC, or MT-RJ (pairs)

**Indicators:** Chassis: (1) Power; Modules: TX ports: (4): 100-Mbps TX, 100-Mbps RX, FDX/COL,

Uplink; FX ports: (2) Link/Activity, FDX/COL

**Temperature Tolerance:** Operating: 0 to 40°C; Storage: -25 to +70°C

**Relative Humidity:** 10 to 90%, noncondensing

**Maximum Altitude:** 3048 m

**MTBF:** 14,430 hours

**Power:** 100 to 240 VAC, 50 to 60 Hz, external

**Size:** Chassis: 4.3 x 43.9 x 23.6 cm; Modules: 3.8 x 12.2 x 14 cm

**Weight:** 2.9 kg; Card: 198.5 g

## Ordering Information

ITEM	CODE
Max Express Ethernet Switch, 12-Port 4-Port Modules	LB9112A
10/100 NWay (RJ-45)	LB9113A
100BASE-FX (ST)	LB9114A
100BASE-FX (SC)	LB9115A
100BASE-FX (MT-RJ)	LB9116A
(1) SC and (3) 10/100 TX	LB9117A
(1) ST and (3) 10/100 TX	LB9118A
(1) MT-RJ and (3) 10/100 TX	LB9119A

### Remember to order cables...

Category 5 Solid-Conductor Cable, 4-Pair, Straight-Pinned, PVC	EYN737MS-0010
Ceramic Terminated Multimode Fiber Optic Cable	EFN062-003M