



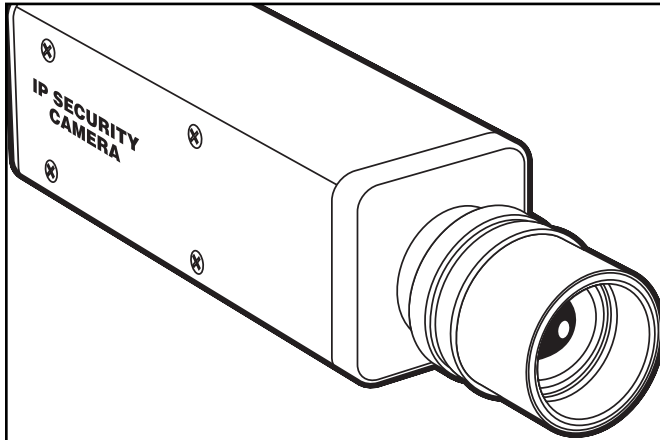
© 2001. All rights reserved.
Black Box Corporation.

BLACK BOX[®]

NETWORK SERVICES

Black Box Corporation • 1000 Park Drive • Lawrence, PA 15055-1018 • Tech Support: 724-746-5500 • www.blackbox.com • e-mail: info@blackbox.com

IP SECURITY CAMERA



Get LAN/WAN security with this TCP/IP addressable digital video camera.

Key Features

- ▶ ***Multi-level user with encrypted login and password entry.***
- ▶ ***Built-in mini-firewall.***
- ▶ ***Low (9.6-kbps) average bandwidth use.***
- ▶ ***Store and retrieve digital video on any Windows 95, 98, 2000, or Windows NT based PC on your network.***
- ▶ ***View and record motion over your network.***

The IP Security Camera is a TCP/IP-addressable digital video camera. It uses its own TCP/IP connection (for IP address), so it easily installs onto existing company networks. The camera comes with free viewing software for setup and simple viewing applications.

The camera provides security both during installation and when interchanging C/CS-mount lenses. And it measures only 6" (15.2-cm) long.

The compression and 10/100BASE-T Ethernet LAN cards are built-in for a direct RJ-45 connection to CAT 5 cable. The camera also has a BNC analog output connection for simultaneous video transmission over coax.

The IP Security Camera connects directly to the corporate LAN or the Internet. Any authorized Windows PC connected to the network within the enterprise or world-wide web can view remote or local sites.

The Camera also features:

- User authentication: Multilevel user with encrypted login and password entry.
- Built-in mini-firewall for highly sensitive locations.
- Includes receiver software to connect and decode the video stream.
- Dynamic bandwidth throttle allows for setting the Camera's bandwidth consumption to as low as 9.6 kbps average bandwidth use.

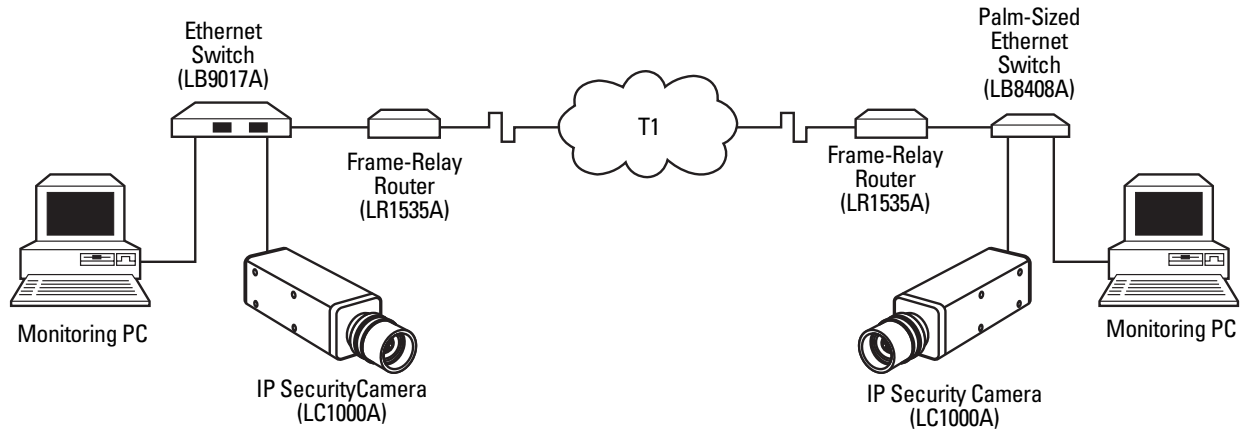
- The Camera gives you motion video and uses no more bandwidth than a serial device on your network.
- The Camera can store and retrieve digital video on any Windows 95, 98, 2000, or NT based PC on your network.

Iris Lenses

Choose from the following Iris lenses for your Camera:

- 4-mm manual Iris lens
- 4- mm auto Iris lens
- 3-8-mm manual Iris lens
- 3-8-mm auto Iris lens
- 5-40-mm manual Iris lens





The IP Security Camera connects directly to the corporate LAN or the Internet.

Specifications

Mounts: Lens: CS/C mount, adapter included; Camera: Top or bottom mount, 1/4-20 threaded

Imager: 1/2 NTSC color CCD

Pixel Size: 9.60 x 7.50

Synch System: Internal synch

Scanning System: 2:1 interface NTSC

Resolution: 330 TV(H) 350 TV(L) (V)

Minimum Scene Illumination: 2 LUX @ F1.4

Gamma Correction: 0.45

Iris: CCD Iris, video driving auto Iris

Video Output Level: Composite, 1 Vp-p

Picture Elements: 512H x 492V

White Balance: Auto

Signal to Noise Ratio: Greater than 46 dB

Geometry: Zero geometric distortion

Video Latency: 1/30 of a second

Maximum Compression Rate: 30 frames per second (fps)

Nominal Frame Refresh: Color mode: Up to 15 fps; Monochrome mode: Up to 30 fps

Relay: (1) standard isolated form "C". Rated at 12 VDC @ 250 mA.

Video Loop Through: (1) full-time 75-ohm BNC analog video output, 1 Vp-p, NTSC composite video

Software: Install viewer entry-level receiver software included; Use PC PEEK™ receiver software for expanded features.

LAN Interface: (1) RJ-45 Cat 6 connector; Auto-sensing 10/100BASE-T digital Ethernet interface

Connectors: Composite Video: BNC; Auto Iris Lens: 4-pin square (QQQ); LAN Output: 8-conductor multiport (RJ-45); Power: 2-pin screw terminal; Alarm: 2-pin screw terminal

Power: Connector: (1) 2-screw terminal; 12-VDC, 1.5-amp regulated supply; Requires 400 ms; Power indicator in LAN connector will light when power to the camera is on

Size: 2"H x 2"W x 6.1"D (5.1 x 5.1 x 15.5 cm)

Weight: 1.6 lb. (0.7 kg)

What the Package Includes

- IP Security Camera
- Viewer and installation software
- Power supply

NOTE: Lenses must be ordered separately. They are not included.



Black Box offers the best warranty program in the industry—Fido Protection®. For more information, request **FaxBack 22512**.

Ordering Information

ITEM	CODE
IP Security Camera	LC1000A
<i>You'll also need one of the following lenses...</i>	
4-mm Manual Iris Lens	LC1001M-4MM
4-mm Auto Iris Lens	LC1001A-4MM
3-8-mm Manual Iris Lens	LC1001M-8MM
3-8-mm Auto Iris Lens	LC1001A-8MM
5-40-mm Manual Iris Lens	LC1001M-40MM

