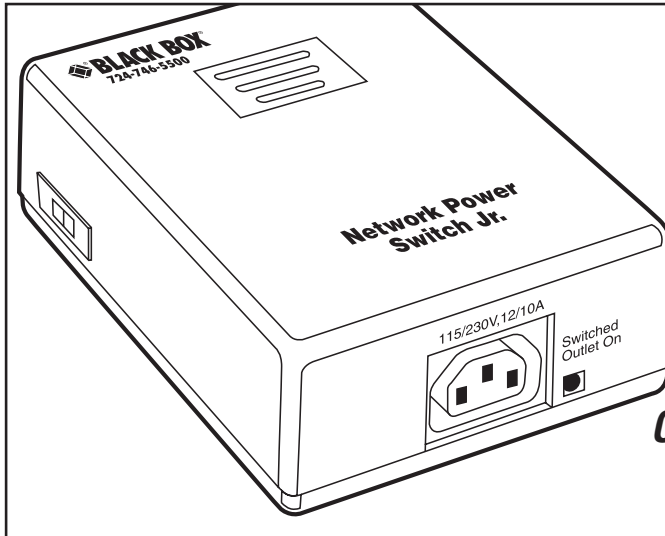




BLACK BOX®

NETWORK SERVICES

NETWORK POWER SWITCH JR.



Control power to remote equipment through the Web.

Key Features

- ▶ ***Reboot and power down remote equipment—through the Internet.***
- ▶ ***Control power to remote devices, even if they're not on your network.***
- ▶ ***Connects to any 10/100BASE-T network.***
- ▶ ***Password protection provides security.***
- ▶ ***Auto-ping function automatically reboots failed equipment.***
- ▶ ***Ideal for use with most servers, routers, kiosks, and more.***

Life has just become easier for network managers and administrators.

Sleep easier. Go surfin'.

Gone are the days of getting out of bed and going into work at 3 a.m. to reboot the server. Forget about jumping in the car or hopping on a plane to travel to a remote site to reboot equipment.

Thanks to Network Power Switch Jr., you don't have to hit the road just to reboot remote devices. Instead, take a ride on the information superhighway and use the Internet to power on/off and reboot remote devices.

Control power anywhere.

Use the Network Power Switch Jr. to control power for any connected device anywhere around the world. It's easy. Connect the switch to your network. The switch features a built-in Web server so it can be

controlled remotely through any Web browser. Best of all, even though it's connected to your network, the Network Power Switch Jr. can reboot, power on, and power off any AC-powered device—whether it's connected to your network or not.

It's ideal for use with servers, routers, kiosks, and environmental control systems such as heaters, air conditioners, cooler pumps, fans, sirens, etc.

Plus, the switch features 105–125/210–240 VAC switch-selectable power, so you can use it anywhere in the world.

Lock out hackers.

Protect your equipment from prying fingers. Because the Network Power Switch Jr. is password protected, only authorized users can get access to your devices. It's easy to set up. Just type the switch's IP address

into your Web browser, enter your password, and you have control of the power to the connected device.

Use it anywhere.

The Network Power Switch Jr. uses international standard IEC 320 connectors and is switch-selectable for 115 or 230 VAC. It can be used with circuits of up to 12 amps (10 amps at 230 VAC). It comes with a standard IEC to NEMA Extension Cord for use in North America. (Cords for other countries are available by custom request.)

Sound the alarm.

With the auto-ping feature, you can set the Network Power Switch Jr. to automatically check any IP device on your network. Set it up, and the switch will periodically send a ping to

(continued on page 2)

(continued from page 1)

detect failed equipment. You can program the response if no answer is detected (such as a timed reboot or turning on an indicator or siren). You can use the auto-ping function both locally and remotely.

Easy Ethernet connections.

You can easily connect the switch to your 10/100BASE-T Ethernet network. It supports both and features uplink and downlink ports. You can use the uplink port to connect to an Ethernet hub. Use the downlink port for

connecting an additional piece of networking equipment.

Imagine the possibilities.

Use the Network Power Switch Jr. to control the power to any device—even devices not connected to your network. For instance, you can:

- Reboot routers, servers, kiosks, and more. For example, with the auto-ping feature enabled, the switch will reboot crashed servers automatically without intervention.

- Protect and secure your sensitive equipment. Power them down when they're not needed. Hackers can't find a server that's not up and running.

- Power down unused equipment for energy savings.

- Power up alarm equipment, such as sirens, lamps, messages, and more.

- Control environmental systems, such as heaters, air conditioners, pumps, and more.

Specifications

Software Requirements: Netscape Navigator 3.0 or higher, Internet Explorer 3.0 or higher

Capacity (Maximum): 12 amps @ 125 VAC; 10 amps at 240 VAC

Input Cord: 16 AWG x 3C 10A 250 UL[®]/CSA/VDE Rated

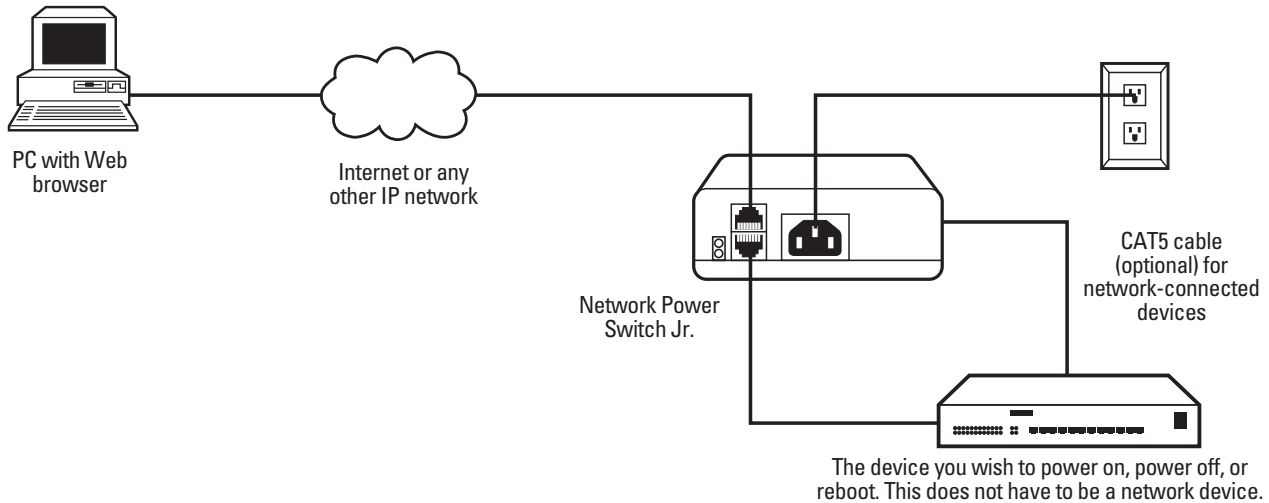
CE Approval: Yes

Connectors: Power In: (1) IEC 320 M plug; Power Out: (1) IEC 320 receptacle; Network: (2) RJ-45 10/100BASE-T Ethernet

Size: 2.3"H x 4.5"W x 6"D (5.8 x 11.4 x 15.2 cm)

Weight: 1.3 lb. (0.6 kg)

Control power to remote equipment through the Internet.



What the Package Includes

- Network Power Switch Jr.
- (1) 7-ft. (2.1-m) line cord for North America
- (1) 3-ft. (0.9-m) extension cord for North America
- (1) 6-ft. (1.8-m) CAT5 cable
- A users' manual

Ordering Information

ITEM	CODE
Network Power Switch Jr.....	SWI080A



Black Box offers the best warranty program in the industry—Fido Protection[®]. For more information, request **FaxBack 22512**.