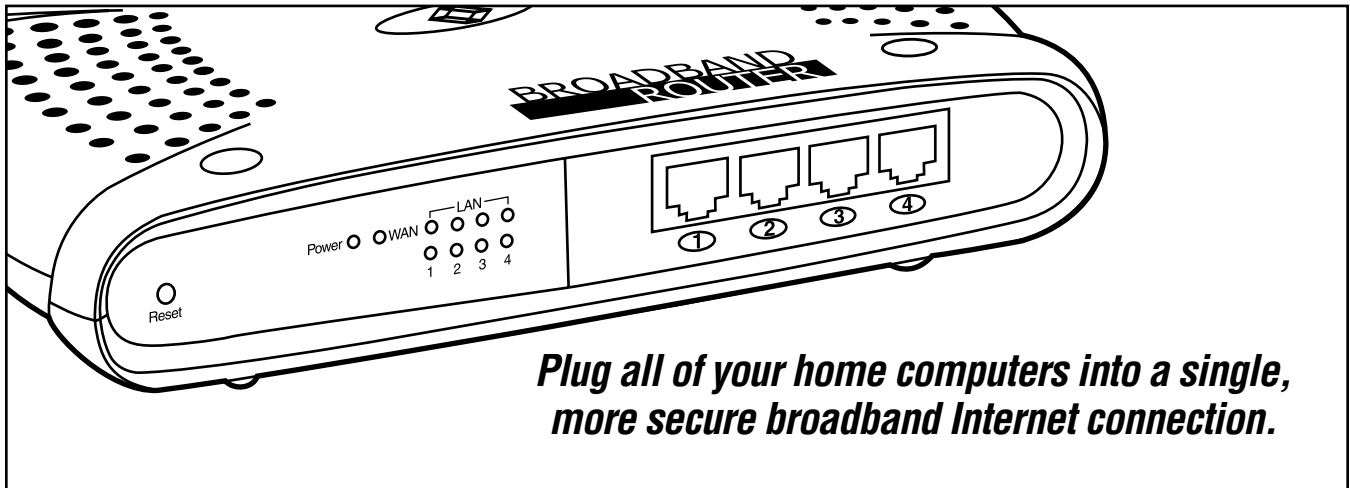




BLACK BOX[®]

NETWORK SERVICES

BROADBAND ROUTER



Plug all of your home computers into a single, more secure broadband Internet connection.

Key Features

- ▶ ***Attach as many as four PC or Mac[®] computers to one broadband Internet link.***
- ▶ ***All attached computers can access the Net at the same time.***
- ▶ ***Only one IP address is needed.***
- ▶ ***Supports both regular (10-Mbps) and Fast (100-Mbps) Ethernet.***
- ▶ ***Security features help stop Net-based computer attacks and invasions of privacy.***
- ▶ ***Built-in print server—connect a printer, too.***
- ▶ ***Supports a backup dialup or ISDN link.***

Maybe you've already ordered your home cable-modem or DSL service, or maybe you're just thinking about it. Either way, two questions become very important: How can you connect all of the computers in your house to the service? And how do you protect yourself from people who would like nothing better than to reach across the Internet and do whatever mischief they want with your computers?

With our Broadband Router, you can attach as many as four Ethernet-networked computers directly to a DSL or cable-modem line. (If you add a hub or network switch, you can attach many more computers.) They can be either IBM[®] PC compatible or Apple[®] Macintosh[®] compatible.

The Router lets all of these computers share access to the broadband line, using a single IP address on the WAN (broadband) side. On the LAN side, because the Router supports the Dynamic

Host Configuration Protocol (DHCP) and Network Address Translation (NAT), the computers can have either static, permanent IP addresses, or the Router can assign hard-to-hack dynamic IP addresses (hidden to the outside world) as the computers connect or disconnect. (The Router also supports access using PPP over Ethernet or—if the broadband network goes down—an optional backup dialup-on-demand link through a dialup modem or ISDN NTU.)

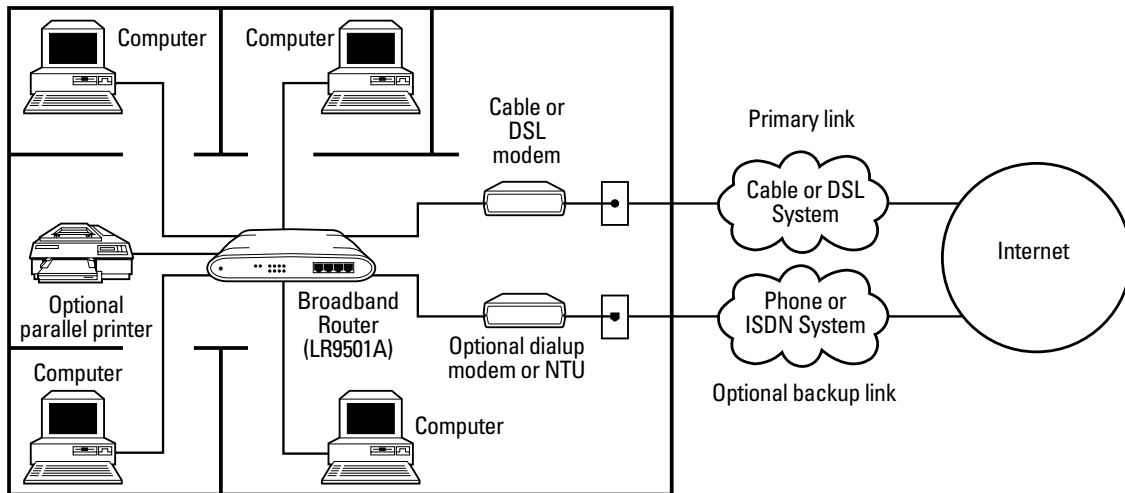
Because the Router functions as a firewall, it supports a number of other security features. Most notably, it will intelligently detect and log attempts from the WAN side to gain unauthorized access: The Broadband Router will tell you when someone is trying to hack your system, and it might even give you clues about who they are.

The Router supports either regular Ethernet (10-Mbps) or Fast

Ethernet (100-Mbps) connections on the LAN side. Its front-panel indicators will tell you which data rate is in use, as well as whether the LAN and WAN links are operating and whether there's any data-transfer activity.

If you want to, you can attach a parallel printer to the parallel port on the Router. The Router has an embedded print server, so all of the attached computers will be able to share that printer.

The Broadband Router can be configured and managed from any attached computer using a standard Web browser such as Internet Explorer[®], Netscape[®] Navigator[®], or Opera[®]. It also comes with a CD that will autorun on PC computers. This CD contains the Router's manual and configuration software for the Router's print server. This software can be used with any recent version of Windows[®].



Put a Broadband Router at the center of your home network for secure, reliable, fast connections to the outside world.

Specifications

Compliance: CE; FCC Part 15 Subpart B Class B, IC Class/ classe B

Standards:

Ethernet: IEEE 802.3 and 802.3u; Parallel (optional): IEEE-1284; Internet: ARP (RFC 826); IP (RFC 791); ICMP (RFC 792); USP (RFC 768); TCP (RFC 793); Telnet (RFC 854 through 859); MD5 (RFC 1321); BOOTP Extension (RFC 1497); PPP LCP Extension (RFC 1570); PPPoE (RFC 2516); NAT (RFC 1631); PPP (RFC 1661); HTML (RFC 1866); HTTP (RFC 1945); CHAP (RFC 1944); DHCP (RFC 2131); PPTP (RFC 2637)

Interfaces:

Ethernet: 10BASE-T/100BASE-TX; Serial (optional): EIA/TIA RS-232, DTE, pinned as per TIA-574; Parallel (optional): Bidirectional IEEE-1284A (IBM PC style)

Feature Support:

Dynamic IP-address configuration (DHCP, DNS); Firewall: NAT, client privileges, security logging; VPN Passthrough for PPTP and IPSec; Backup dial-on-demand connections; Print server for LPR, UNIX®, Windows® 95/98/2000, or Windows NT®

Internet-Access Methods: Dynamic IP, static IP, PPP over Ethernet (PPPoE), or dialup-on-demand

Data Rate:

LAN and WAN ports: 10 Mbps (regular Ethernet) or 100 Mbps (Fast Ethernet); Dialup/ISDN and parallel ports 115 kbps

Maximum Distance:

328 ft. (100 m) to any attached LAN or WAN device (computers and cable or DSL modem); 50 ft. (15.2 m) to optional dialup modem or ISDN NTU; 20 ft. (6.1 m) to optional parallel printer

User Controls:

(1) Front-mounted recessed factory-reset switch; Web-based Router configuration and management; Configuration software for embedded print server on included CD

Indicators: All front-mounted LEDs:

(1) Power, (1) WAN link, (4) LAN link/activity, (4) Data rate (10 vs. 100 Mbps)

Connectors:

(4) Front-mounted RJ-45 female (MDIX/MDI) to LAN (computers); Rear-mounted: (1) RJ-45 female to broadband WAN; (1) DB9 male to optional backup dialup modem or ISDN NTU; (1) DB25 female to optional parallel printer; (1) Center-positive barrel jack for power

Temperature Tolerance: 32 to 104°F (0 to 40°C)

Humidity Tolerance: 10 to 90% noncondensing

Power: From utility-power outlet through external UL® and CSA listed power supply (Class 2 transformer):

Input: 120 VAC, 60 Hz, up to 16 watts; Output: 12 VDC at 1 amp; Consumption: Up to 6.5 watts; Heat dissipation: Up to 144 BTU/hr.

Size: 1.3"H x 7.5"W x 4.5"D (3.3 x 19.1 x 11.4 cm)

Weight: 2 lb. (0.9 kg)

The complete package

- The Broadband Router.
- Its power supply.
- Its manual and print-server configuration software on CD.

Ordering Information

ITEM

CODE

Broadband Router.....LR9501A

You might also need...

CAT5 Patch Cable, 100-MHz, 4-Pair (8-Wire), PVC (specify length).....EYN737MS-MM

Networking Hub, 10-Mbps, 8-PortLE2750A

Palm-Sized Ethernet Switch, 10/100-Mbps, 8-PortLB8408A-R2

Economy Series Ethernet Adapter Card, 10/100-Mbps, PCI with WOLLE1045C

USB Solo-E (USB-to-Ethernet Adapter for Laptops)LE9000A-USB

IEEE-1284 Bidirectional Printer Cable to Optional Parallel Printer, DB25 M-M, 10 ft. (3 m)EQN202-0010

Serial Modem Cable to Optional Dialup Modem or ISDN NTU, DB9 F to DB25 M, 10 ft. (3 m)EVMBMC-0010

You might also want to call Black Box Tech Support for help determining your best options for power backup/protection.



Black Box offers the best warranty program in the industry—Fido Protection®. For more information, request **FaxBack 22512**.