



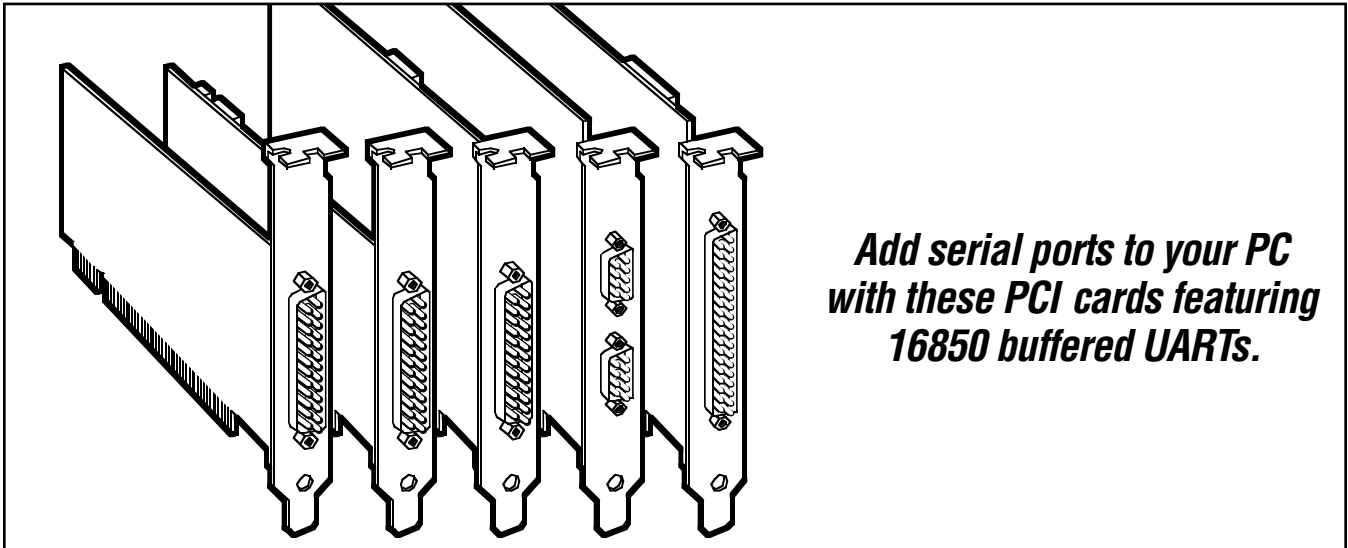
© 2004. All rights reserved.  
Black Box Corporation.

# BLACK BOX<sup>®</sup>

## NETWORK SERVICES

Black Box Network Services • 464 Basingstoke Road • Reading, Berkshire, RG2 0BG • Tech Support: 0118 965 6000 • [www.blackbox.co.uk](http://www.blackbox.co.uk) • e-mail: [techhelp@blackbox.co.uk](mailto:techhelp@blackbox.co.uk)

## PCI CARDS



**Add serial ports to your PC  
with these PCI cards featuring  
16850 buffered UARTs.**

### Key Features

- ▶ **Choose from PCI cards that meet a variety of interface standards.**
- ▶ **16850 buffered UART standard with deep 128-byte FIFO buffer supports PC data rates up to 460.8 kbps.**
- ▶ **Low-profile models fit in the PCI slots of newer, slimmer PCs.**
- ▶ **Opto isolation available on some models.**
- ▶ **Maximize DOS, Linux, QNX, and Windows communications.**
- ▶ **Support all PCI interrupts.**

When you need to add one, two, four, or eight serial PCI ports to your personal computer, select a PCI card from Black Box. All of our cards feature 16850 buffered UARTs for speeds up to 460.8 kbps. The cards are designed to maximize DOS, Linux<sup>®</sup>, OS/2<sup>®</sup>, QNX, Windows<sup>®</sup> 3.1x/95/98/2000/Me/XP, Windows NT<sup>®</sup>, and UNIX<sup>®</sup> communications. Windows drivers, utilities, INF files, and help files are included to simplify installation.

The IC970C and IC970C-LP provide a single PCI bus RS-232 serial port for applications requiring a high-quality serial port. Regardless of whether you are connecting to a modem, ISDN terminal adapter, industrial device, or OEM equipment, these cards will provide the speed and power your application requires.

The IC971C and IC975C-LP provide a single field-selectable port that you can configure as

RS-422/485/530. In RS-485 mode, these cards' auto-enable feature allows them to be viewed by the operating system as a standard COM port.

The IC972C-R2 gives your PC a single serial port that's field-selectable for RS-232/422/485. It also provides opto isolation, which is important in installations where the equipment connected to the PC is either located far from the host system or is on a different power transformer circuit. The card's true optical isolation eliminates ground loops, which can cause data errors and destroy equipment.

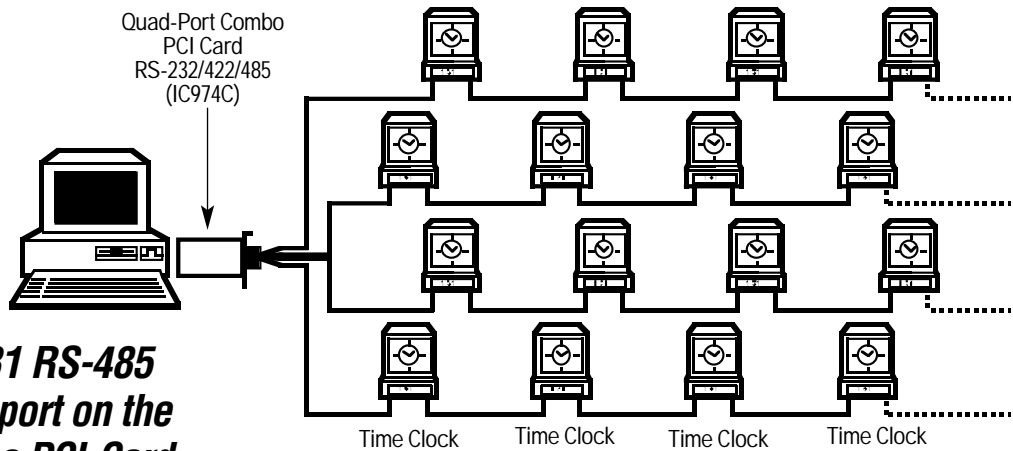
The IC973C provides two RS-422/485 serial ports. It's also opto isolated. Up to 31 RS-485 devices can be connected to each port to automate your data collection.

The IC187C-LP features a pair of field-selectable RS-232/422/485 serial ports. Configure both ports

as RS-232 when highly reliable standard serial ports are required. Choose RS-422/RS-485 mode for long-distance device connections up to 4000 ft. (1219.2 m) where noise immunity and high data integrity are essential. Like the IC973C, up to 31 RS-485 devices can be connected to each port to automate your data collection. You can even mix the ports in any of the interface combinations to suit your application.

The IC974C provides four field-selectable RS-232/422/485 serial ports. It's identical in function to the IC187C-LP described above, except that it connects up to 124 RS-485 devices to your CPU.

The IC978C gives you eight field-selectable RS-232/422/485 serial ports. It functions in the same way as the IC974C, but it connects up to 248 RS-485 devices to your PC.



**Connect up to 31 RS-485 devices to each port on the Quad-Port Combo PCI Card RS-232/422/485.**

## Specifications

**Communications Chip:** 16850 UART

**Distance (Maximum):**

RS-232: 50 ft. (15.2 m);  
All others: 4000 ft. (1219.2 m)

**Operating Systems Supported:**

DOS, Linux, OS/2, QNX,  
Windows 3.1x/95/98/2000/Me/XP,  
Windows NT, UNIX

**Speed (Maximum):** 460.8 kbps

**Connectors:** IC970C–IC972C–R2,

IC975C–LP: (1) DB25 M;  
IC970C–LP: (1) DB9 M;  
IC973C: (2) DB9 M;  
IC187C–LP: (1) DB25 M on card  
with cable to (1) DB25 F  
to (2) DB9 M;  
IC974C: (1) DB37 M on card with  
cable to (4) DB9 M;  
IC978C: (1) DB78 M on card with  
cable to (8) DB9 M

**MTBF:** Greater than 150,000 hours  
(calculated)

**Temperature Tolerance:**

Operating: 32 to 122°F (0 to 50°C);  
Storage: -4 to +158°F  
(-20 to +70°C)

**Relative Humidity:** 10 to 90%,  
noncondensing

**Power:** From the PCI bus

**Size:**

IC970C, IC972C–R2: 3.5"H x 4.9"L  
(8.9 x 12.4 cm);  
IC970C–LP, IC975C–LP, IC187C–LP:  
2.5"H x 4.7"L (6.4 x 11.9 cm);  
IC971C: 2.8"H x 4.9"L  
(7.1 x 12.4 cm);  
IC973C–IC974C, IC978C: 4.2"H x  
6.5"L (10.7 x 16.5 cm)

## Ordering Information

ITEM	CODE
<b>Single-Port PCI Cards</b>	
RS-232 .....	IC970C
RS-232 Low Profile .....	IC970C-LP
RS-422/485/530 .....	IC971C
RS-422/485/530 Low Profile .....	IC975C-LP
RS-232/422/485 with Opto Isolation .....	IC972C-R2
<b>Dual-Port PCI Cards</b>	
RS-422/485 with Opto Isolation .....	IC973C
RS-232/422/485 Low Profile .....	IC187C-LP
<b>Quad-Port Combo PCI Card</b>	
RS-232/422/485 .....	IC974C
<b>8-Port Combo PCI Card</b>	
RS-232/422/485 .....	IC978C
<i>You may also need...</i>	
DB25 to Terminal Block Adapter .....	IC980
DB9 to Terminal Block Adapter .....	IC981

## What the Package Includes

- (1) PCI card
- (1) CD-ROM containing drivers for supported operating systems (listed in the Specifications section) and a users' manual (in PDF format)