

BLACK BOX[®]

NETWORK SERVICES

ServSwitch 4Site



- ◆ Control and real time monitoring for up to 4 PCs from one console with keyboard, video and mouse.
- ◆ Select between 3 modes of operation: Full, PiP and Quad Tile.
- ◆ Picture-in-Picture Mode (PiP) displays 1 main image and up to 3 scalable images at once.
- ◆ Quad tile monitoring to display all attached servers at same size in real time.
- ◆ High Output Resolution up to 1920 x 1200 ideal for 23" wide screens (W-UXGA).
- ◆ Supports VGA and DVI-graphic signal input up to 1600 x 1200 @ 60Hz.
- ◆ Allows PS/2 and USB keyboard and mouse for multi-platform usage.
- ◆ Switch ports with push buttons at the front panel of the 4Site, keyboard hotkey commands or hotmouse,
- ◆ Easy configuration through comfortable OSD.
- ◆ 19" Rack mount set included.
- ◆ Efficient ergonomic solution with extreme fast ROI.

ServSwitch 4Site combines classic KVM-Switching with outstanding image processing. Like the classic KVM-Switches, *ServSwitch 4Site* can just share a single monitor, keyboard and mouse with up to 4 servers or workstations. Each of the graphic inputs can be either DVI or VGA with a max. resolution of 1600 x 1200. Keyboard and Mouse interfaces can be USB or PS/2. The console port can be set to output an analogue VGA or digital DVI video signal up to max. 1920 x 1200. Keyboard and mouse is USB only.

The new video conversion options are outstanding. For the first time **video** signals are not only converted but processed and outputted **in real time!** Depending on your needs *ServSwitch 4Site* allows 3 different modes of operation: With **full screen mode** just one CPU can be monitored. Use the **Quad-Mode** to monitor all 4 servers at once. It melts the four incoming video signals together and displays them in four tiles of equal size, while the user is still having full keyboard and mouse control of the selected CPU. Very similar the **Picture-in-Picture (PiP)-Mode** puts more than one video signal

together to a single one and outputs a single main image displayed in full resolution and up to 3 video signals in a scalable size on the right or left hand of it.

Switching between the CPUs is easy by using intuitive hotmouse, keyboard hotkey demands or front buttons on the switch.

ServSwitch 4Site can be used in many environments. **Programmers** benefit from having only one screen on their desk with control over processes like compilers running in the background on a second, third or fourth workstation. In **NOCs** and **Control Rooms** multiple sources can be monitored and operated from a single screen.

ServSwitch 4Site works seamless together with many Switches and Extenders of the Black Box *ServSwitch* family. In combination with a CatX-Extender the console can be deposited up to 200 meter from the CPUs using Cat5/5e/Cat6 cables. Longer distances up to 10km are possible in combination with a *ServSwitch* FO-Extender over a multi- or single-mode fibre link. You may even access the *ServSwitch 4Site* over IP by integrating a *ServSwitch Wizard IP* into your application. Call our **FREE TECH SUPPORT** to discuss your individual needs.



BLACK BOX[®]

NETWORK SERVICES

TECH SPECS

Resolution — Input: 1600 x 1200 ;
Output: 1920 x 1200

Distance — max. 5m to console, (keyboard/video/mouse),
max 5m to CPU

Connectors — CPU: (4) DVI-I, (4) PS/2, (4) USB Type B;
Console: (1) DVI-I, (2) USB Type A;
Management Port: (1) RJ45 serial RS232;
Power (1) IEC320

Indicators — (4) LEDs green/amber , (1) Quad-Mode
(1) PiP-Mode

Controls — (4) Port switching front buttons, (1)Quad-Mode
button, (1) Pip-Mode button, (1) Reset;
keyboard commands for additional functions like
resolution settings or activation of the OSD.

OnScreen-Menu — Yes

Power — 100–240 VAC, 50-60 Hz, max. 40W

Size — 4,4 x 43,4 x 23,4cm (HxWxD)

Weight — 2,9 kg

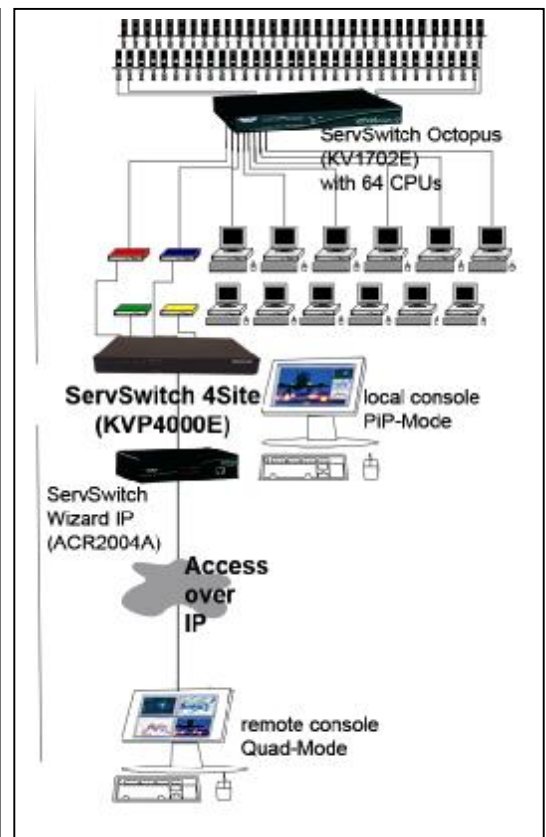
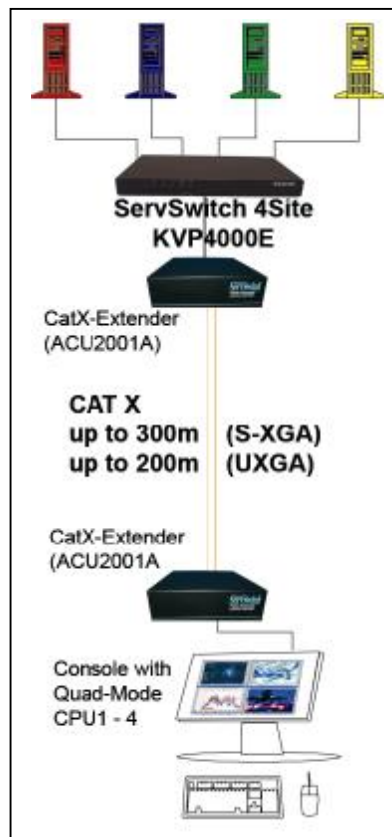
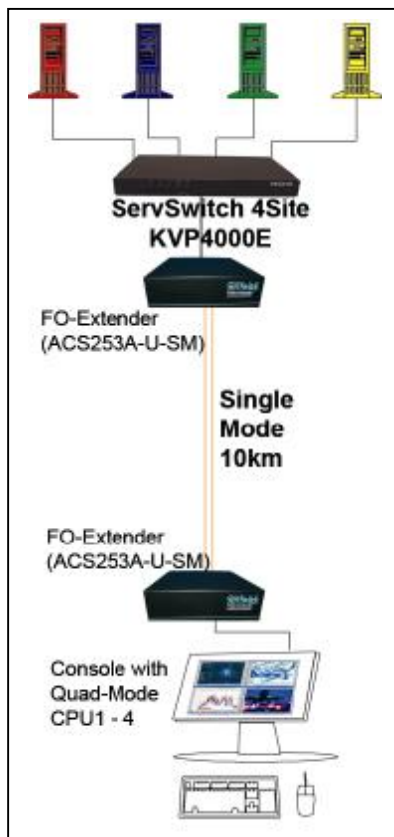
Rackmounting — 19" Rackmounting set included

Package Content

- (1) ServSwitch 4Site Switch
- (3) DVI-I to HS15 VGA-cable 2m (2xM/M, 1xM/F)
- (1) Y-cable PS/2 Keyboard & Mouse 2m (m-Mm)
- (1) Converter USB to PS/2 keyboard & mouse
- (1) 19" Rackmounting kit

- (1) Power Cord IEC320
- (2) Video cables DVI-I M to DVD-D M 2m
- (4) Keyboard/Mouse cables USB Type A to Type B 2m
- (1) Serial flash control cable DB9 F to RJ45 2m
- (1) Manual

Applications:



Order Information

ServSwitch 4Site

Item No

KVP4000E