



## French Telephone Male to Modular Jack Adaptors RJ-45 to French Telephone Adaptors RJ-45 Parallel Splitter

Plug in your telecom equipment without changing your installation, add more telephone handsets effortlessly and split your RJ-45 plug with ease.

### RJ-45 to French Telephone Adaptors

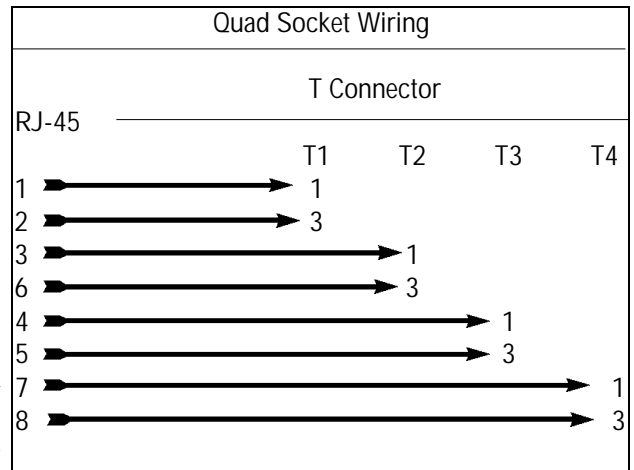
With these telephone cords, you can connect up your extensions, equipped with a cord with a jack plug, to the RJ-45 wall socket without having to modify your existing installation. At one end a 4-pair ivory cord with an RJ-45 plug and at the other end 1, 2 or 4 modular sockets. Consult the wiring diagrams to select the model you require.

#### Description

Double-Line pair, 4 modular jacks, 6 pins  
on 1m cord  
on 3m cord  
Double-line, 2 modular jacks, 6 pins  
on 1m cord  
on 3m cord

#### Product Code

FMF8601 *Not available in U.K.*  
FMF8603 *Not available in U.K.*  
FMF8701 *Not available in U.K.*  
FMF8703 *Not available in U.K.*



### Standard Telephone Extension Cables

Our Standard Telephone Extension Cables come in two versions:

- 4-conductor flat cord with male/female connectors
- 4-conductor round cord with male/female connectors

#### Description

Standard Telephone Extension Cable  
5m Flat Cord  
10m Flat Cord  
5m Round Cord  
10m Round Cord

#### U.K. Telephone Extension Leads PSTN

3-m  
5-m  
10-m

#### Product Code

FAFT61 *Not available in U.K.*  
FAFT62 *Not available in U.K.*  
FAFT71 *Not available in U.K.*  
FAFT72 *Not available in U.K.*  
EL3M *Only available in U.K.*  
EL5M *Only available in U.K.*  
EL10M *Only available in U.K.*

# Modular Telephone Adaptors

Plug in a telecommunications facility without modifying your installation.

Here you have a range of **Modular Telephone Adaptors** designed to meet your connection requirements between France Telecom and the RJ interfacing. These adaptors enable you - without having to modify your existing installation - to plug in an extension or any other telecommunications facility (fax, answering machine, Minitel, etc.) equipped with a lead with a male RJ11 or RJ-45 connector

**Advantages:**

- Practical, Simple, Economical
- For telephone and RJ interfacing

**Description**

Male 8-pin adaptor 4/5 plug-in to RJ-45  
 Male 8-pin adaptor 7/8 plug-in to RJ-45  
 Male 6-pin adaptor plug-in to RJ-45

**Product Code**

FAFT801 *Not available in U.K.*  
 FAFT802 *Not available in U.K.*  
 FAFT600 *Not available in U.K.*

## Telephone Plugs

*Fit your own Telephone Connections*

Male or male/female **Telephone Plugs** to choose from. These are screw-in units that take 3 or 4 pairs according to requirements. The male/female telephone plugs enable you to connect up a fax or a Minitel between the telephone line and the extension. They can be adapted to all configurations: open or closed circuits by mobile straps. Use the Black Box **Dual Outlet Adaptor** (MC9002) to connect phone and fax, answering machine, or modem from a single U.K. telephone outlet. Consult our Technical Support for more information.

**Description**

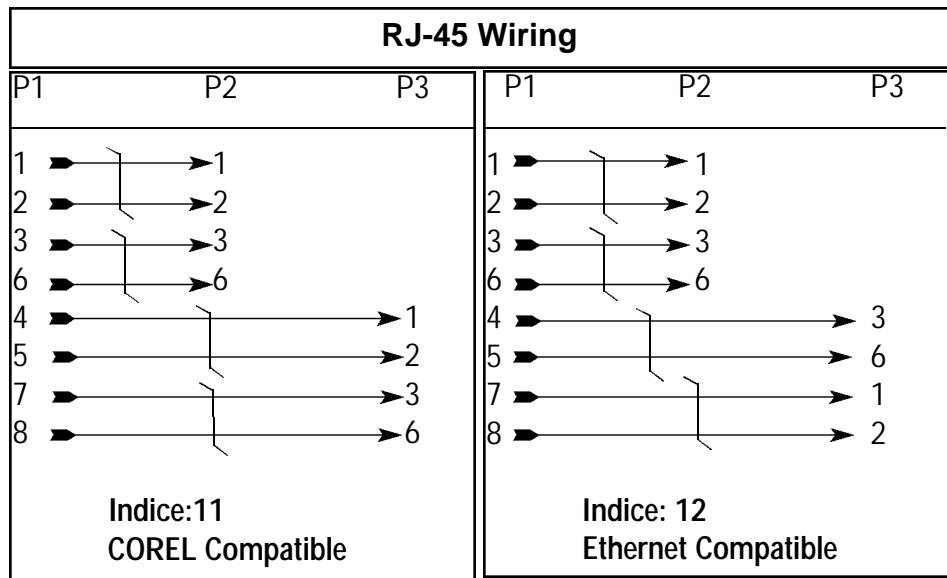
Male Telephone Plugs  
 3 pairs  
 4 pairs  
 Male/female Telephone Plugs  
 3 pairs  
 4 pairs  
 U.K. Telephone Dual Outlet Adaptor

**Product Code**

FAFT11 *Not available in U.K.*  
 FAFT12 *Not available in U.K.*  
 FAFT21 *Not available in U.K.*  
 FAFT22 *Not available in U.K.*  
 MC9002 *Only available in U.K.*

## RJ-45 Parallel Splitter

Our **Parallel RJ-45 Splitter**, which comes in a compact case, splits a male RJ-45 plug into two RJ-45 bases and includes a 250mm 10Mbit round cord equipped with an RJ-45 plug. It is ISO8777 compliant.



**Description**

Parallel RJ-45 Splitter with Cord  
 COREL Compatible  
 Ethernet Compatible  
 ISDN Parallel Splitter

**Product Code**

FAFT8813-11 *Not available in U.K.*  
 FAFT8813-12 *Not available in U.K.*  
 FAFT8813-13 *Not available in U.K.*