

DVI-D-CatX-KVM-Extender Single and DualHead

Manual

<http://www.blackbox.com>

Welcome to the DVI-D Cat X KVM-Extender Family!

Thank you for purchasing an DVI-D Cat X KVM-Extender! We appreciate your business, and we think you'll appreciate the many ways that your enhanced RGB Graphic system will save you money, time, and effort.

That's because our DVI-D Cat X KVM-Extender is all about breaking away from the traditional model of attaching a new display to DVI graphic source. Using the DVI-D Cat X KVM-Extender, you can remotely locate monitor, keyboard and mouse up to 140m away from your CPU.

Wherever long distances are required, e.g. airports, industrial plants, call-centres or in distributed computer centres, the DVI-D Cat X KVM-Extender is the best way, to solve all problems in remotely locating your console. 4 different types are available: Singlehead and Dualhead devices for PS2 keyboard/mouse and Singlehead and Dualhead devices for USB keyboard/mouse.

This manual will tell you all about your new DVI-D Cat X KVM-Extender, including how to install, operate, and troubleshoot it. For an introduction to the Converter, see **Chapter 2**. The Converter product codes covered in this manual are:

ACS1009A: KVM-Extender Singlehead DVI-D, PS2-Keyboard/Mouse

ACS2209A: KVM-Extender Dualhead DVI-D, PS2-Keyboard/Mouse

ACS4001A: KVM-Extender Singlehead DVI-D, USB-Keyboard/Mouse

ACS4201A: KVM-Extender Dualhead DVI-D, USB-Keyboard/Mouse

Copyrights and Trademarks

©2007. All rights reserved. This information may not be reproduced in any manner without the prior written consent of the manufacturer.

Information in this document is subject to change without notice and the manufacturer shall not be liable for any direct, indirect, special, incidental or consequential damages in connection with the use of this material.

All trademark and trade names mentioned in this document are acknowledged to be the property of their respective owners.

Disclaimer

While every precaution has been taken in the preparation of this manual, the manufacturer assumes no responsibility for errors or omissions. Neither does the manufacturer assume any liability for damages resulting from the use of the information contained herein. The manufacturer reserves the right to change the specifications, functions, or circuitry of the product without notice.

The manufacturer cannot accept liability for damage due to misuse of the product or due to any other circumstances outside the manufacturer's control (whether environmental or installation related). The manufacturer shall not be responsible for any loss, damage, or injury arising directly, indirectly, or consequentially from the use of this product.

Cautions and Notes

The following symbols are used in this guide:



CAUTION. This indicates an important operating instruction that should be followed to avoid any potential damage to hardware or property, loss of data, or personal injury.



NOTE. This indicates important information to help you make the best use of this product.

DECLARATION OF CONFORMITY

EUROPEAN UNION DECLARATION OF CONFORMITY

This is to certify that, when installed and used according to the instructions in this manual, together with the specified cables and the maximum cable length <3m, the Units:

ACS1009A, ACS2209A

ACS4001A, ACS4201A

are shielded against the generation of radio interferences in accordance with the application of Council Directive 89/336/EEC as well as these standards:

EN 55022:	1999	Class A
EN 55024:	1999	
IEC 61000-4-2:	2001	
IEC 61000-4-3:	2001	
IEC 61000-4-4:	2001	
EN 61000-3-2	2001	
EN 61000-3-3	2002	

The device was tested in a typical configuration with PC.



This equipment has been found to comply with the limits for a Class A digital device, pursuant to Part 15 of the FCC Rules. These limits are designed to provide reasonable protection against harmful interference when the equipment is operated in a commercial environment. This equipment generates, uses, and can radiate radio frequency energy and, if not installed and used in accordance with the instruction manual, may cause harmful interference to radio communications. Operation of this equipment in a residential area is likely to cause harmful interference in which case the user will be required to correct the interference at his own expense.

Safety Precautions and Installation Guidelines

To ensure reliable and safe long-term operation, please note the following installation guidelines:

- Do not use CATx-devices to link between buildings – please use fiber devices.
- Only use in dry, indoor environments.
- Do not use CATx-devices to link between buildings – please use fiber devices.
- If the building has 3-phase AC power, try to ensure that equipment connected to the Local and Remote units is on the same phase.
- Try not to route a CATx link cable alongside power cables.
- The Remote unit, Local unit and any power supplies can get warm. Do not locate them in an enclosed space without any airflow.
- Do not place a power supply directly on top of a unit.
- Do not obstruct a unit's ventilation existing holes.



To safeguard against personal injury and avoid possible damage to equipment or property, please observe the following:

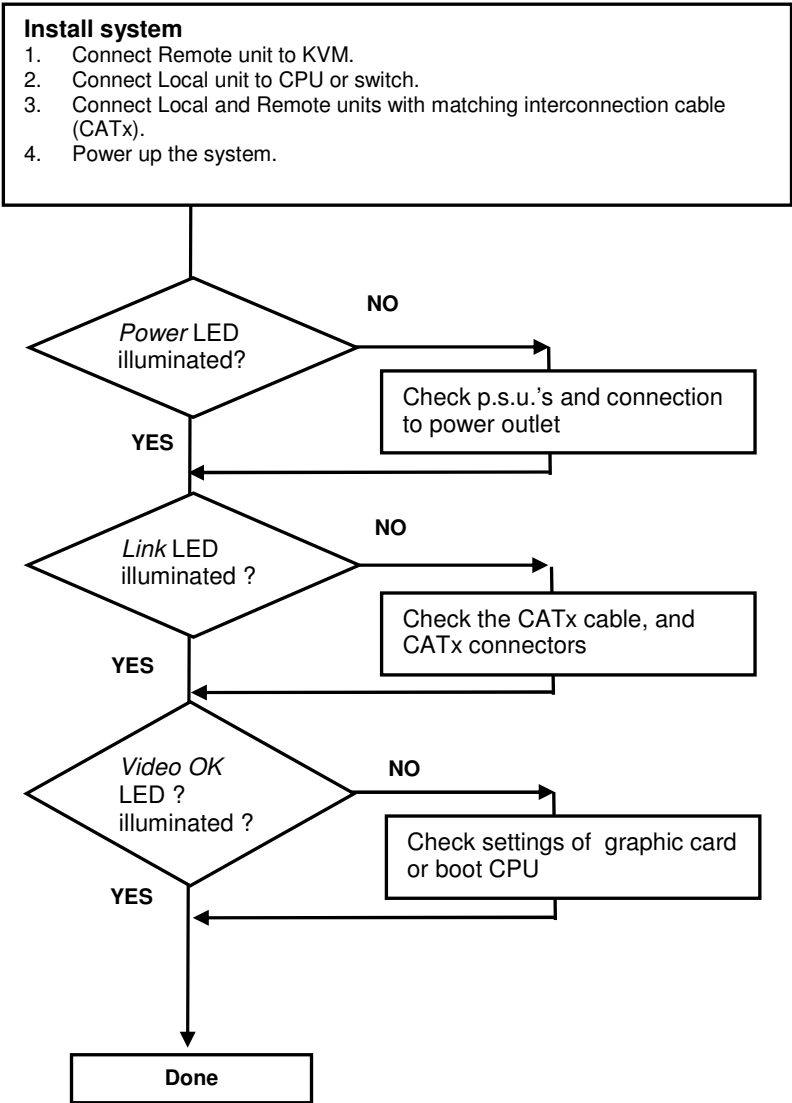
- **Only use power supplies originally supplied with the product or manufacturer-approved replacements. Do not attempt to dismantle or repair any power supply. Do not use a power supply if it appears to be defective or has a damaged case.**
- **Connect all power supplies to grounded outlets. In each case, ensure that the ground connection is maintained from the outlet socket through to the power supply's AC power input.**
- **Do not attempt to modify or repair this product, or make a connection from the CATx link interface (RJ45) to any other products, especially telecommunications or network equipment.**

Contents

1. Quick Setup	8
2. Overview	9
2.1 Introduction	9
2.2 Glossary	9
2.3 Features	11
2.4 Product Range	12
2.5 Compatibility	13
2.6 How to Use This Guide	14
3. Installation	15
3.1 Package Contents	15
3.2 Interconnection Cable Requirements	16
3.3 System Setup	17
3.4 Diagnostic LEDs	24
4. Service Setup	25
4.1 Setup at the Local Unit	26
4.2 Setup at the Remote Unit	29
5. Troubleshooting	30
Appendix A: Example Applications	32
Appendix B: Rack Mount Options	34
Appendix C: Calling Technical Support	36
Appendix D: Specifications	38
Appendix E: Connectors	40

1. Quick Setup

This section briefly describes how to install your KVM extender system. Unless you are an experienced user, we recommend that you follow the full procedures described in the rest of this manual.



2. Overview

2.1 Introduction

A CatX KVM Extender is mainly used, to extend the maximum distance between a CPU and his Keyboard / Monitor / Mouse considerably. In addition they are beneficial in installations in electromagnetic hazardous environments (EMI). Normal Keyboard-/ Monitor-/ Mouse extender cables (and Extender using traditional cables) cannot go so far and EMI interferences may reduce the maximum distance and/or reliability. Using a DVI-D Cat X Extender system, these limitations are past. Retain your CPU in a secure rack cabinet or data center while accessing from a 140m remotely located place.

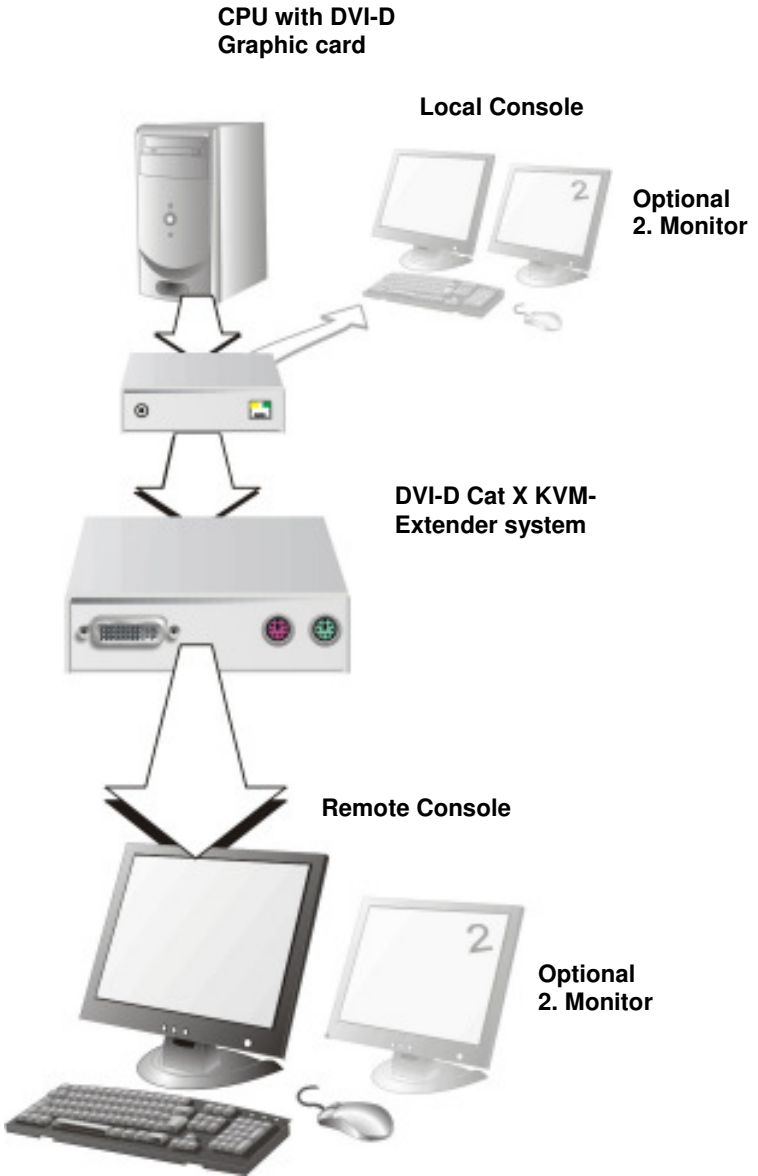
A basic KVM extension system comprises a *Local* unit (transmitter) and a *Remote* unit (receiver). The Local unit connects directly to the computer (or a KVM switch system) using the supplied cable(s). The user *console* (keyboard, mouse and monitor) attaches to the Remote unit. The Remote and Local units communicate video and data information along the interconnecting cable. Local units offer dual access, allowing the connection of a second user console close to the computer.

2.2 Glossary

The following terms are used in this guide:

CATx	Any Category 5, 5e, 6 or higher cable, solid wires type AWG24.
KVM	Keyboard, Video and Mouse.
Console	Keyboard, Mouse and Monitor
Dual Access	A system allowing connection of Local and Remote user consoles.
Singlehead	An extender system that supports one monitor + Keyboard/Mouse
Dualhead	An extender system that supports two monitors + Keyboard/Mouse
DVI	Digital Video standard, installed by Digital Display Working Group (www.ddwg.org) R, G, B, CLOCK in a data stream with up to 3x 1,6 Gbit/sec. Signals are TMDS Level.
PSU	The desktop power supply connected to the Local/Remote unit.
HID	Human Interface Devices are units, which are used for human access to the CPU. They are a USB-device class of its own (e.g. Memory Devices etc.). Besides of keyboard and mouse also touchscreen, light pen, fingerprint sensor, graphic tablets etc. are HID devices

DVI-D CAT X KVM-EXTENDER



DVI-D Cat X – KVM Extender system (example)

2.3 Features

All members of the DVI-D Cat X - DVI KVM Extender Series offer the following features:

- Support for DVI-D Graphic cards (all devices)
- Support for PS2-Keyboard and PS2-Mouse (ACS1009A and ACS2209A)
- Support for USB-Keyboard and USB-Mouse (ACS4001A and ACS4201A)



Devices with USB- connectors support ONLY Keyboard and Mouse. It's possible, that other HID devices (Human Interface Device) like touch-screens, graphics tablets, barcode readers or similar are supported – but there is no guarantee for this! The DVI-D Cat X KVM-Extender is NOT suitable for use with other USB devices like Scanner, WEB- Cams, data sticks etc.



The device never supports more than two devices – Keyboard and Mouse or Keyboard and Touchscreen, etc. but not e.g. Keyboard, Mouse and Touchscreen simultaneously. A Hub is allowed but does not raise the number of supported devices

- Maximum resolution: DVI-D: 1600x1200@60Hz over all allowed distances all lower resolutions with refresh rates of at least 75Hz
- Supporting 18 Bit color depth = 256,000 colors
- Status indicator LEDs on each device.
- Small footprint chassis.
- Rack mount options available.
- CPU cables + Adapters included.

2.4 Product Range

There are four products in the range and various upgrade kits:

DVI-D Cat X - Extender

ACS1009A	KVM-Extender 1x DVI, PS2-Keyboard, PS2-Mouse (Singlehead)
ACS2209A	KVM-Extender 2x DVI, PS2-Keyboard, PS2-Mouse s (Dualhead)
ACS4001A	KVM-Extender 1x DVI, USB-Keyboard, USB-Mouse (Singlehead)
ACS4201A	KVM-Extender 2x DVI, USB-Keyboard, USB-Mouse (Dualhead)

Upgrade Kits

ACS1009A-RMK	19"/1U Rackmount- Kit to mount up to 4 Singlehead devices
ACS2209A-RMK	19"/1U Rackmount- Kit to mount up to 4 Dualhead devices
ACS2209A-PS	19"/1U rackmountable P.S.U. Input: 100..240VAC/0.5A; Output 5VDC/7A to source up to 3 units Singlehead or Dualhead. Requires one unit space in RMK (ACS1009A-RMK/ACS2209A-RMK)

2.5 Compatibility

Interface Compatibility

- **Digital Video (DVI-D):** Digital Video standard, installed by Digital Display Working Group (www.ddwg.org) R, G, B, CLOCK in a data stream with up to 3x 1,6 Gbit/sec. Signals are TMDS Level.
- **PS/2 Keyboard:** Compatible with all standard keyboards. Certain keyboards with enhanced features may also be supported with custom firmware.
- **PS/2 Mouse:** Compatible with all standard 2-button, 3-button and wheel mice.
- **USB Keyboard:** Compatible with all standard keyboards. Certain keyboards with enhanced features may also be supported with custom firmware. Keyboards with built-in hub are also supported – but there are never more than two HDI devices supported.
- **USB Mouse:** Compatible with all standard 2-button, 3-button and wheel mice.



Devices with USB- connectors support ONLY Keyboard and Mouse. It's possible, that other HID devices (Human Interface Device) like touchscreens, graphics tablets, barcode readers or similar are supported – but there is no guarantee for this! The DVI-D Cat X KVM-Extender is NOT suitable for use with other USB devices like Scanner, WEB- Cams, data sticks etc.



The device never supports more than two devices – Keyboard and Mouse or Keyboard and Touchscreen, etc. but not e.g. Keyboard, Mouse and Touchscreen simultaneously. A Hub is allowed but does not raise the number of supported devices

2.6 How to Use This Guide

This guide describes the installation and configuration of the DVI-D Cat X – Extender Series. Although the connection and operation of the system is relatively straightforward, you should consider the following before getting started:

Connection & Compatibility

If you have purchased an *Extender Kit*, this will contain all the cables required to connect the Local unit to your PC or KVM switch. Please see also: **Package Contents** (page 15)

For information about connection and installation, see **Interconnection Cable Requirements**, page 16.

DDC Information

Normally it is not necessary to make any adjustments to the DVXi- Extender. However, in some circumstances, it may be necessary to redefine the source of DDC Information for the CPU. By default, the DVI-D Fiber KVM-Extender uses its own internal DDC table. If this setting does not satisfy your requirements, the DDC table can either be switched to the locally attached screen or could be downloaded from remotely located screen and stored in the internal DDC table.

To modify the DDC-Setup, see **Service Setup** (page 25).

Selecting the moment of switching to the next frame

The transmission of screen data is not synchronous to the screen change of the graphic card. Normally, the transmission is terminated during displaying a frame on the screen. If the device switches to the new frame during the displaying period of the old frame (somewhere on the screen), it's possible, that you can see horizontal screen breaks in the moment of switching (default). On the other hand the device must idle, until the actual frame is displayed completely (until VSYNC) -> the number of frames per second transmitted sinks.

To modify the switching behaviour, see **Service Setup** (page 25).

Compatibility

Devices with PS2 connectors are NOT compatible to devices with USB connectors.

3. Installation

For first-time users, we recommend that you carry out a test placement, confined to a single room, before commencing full installation. This will allow you to identify and solve any cabling problems, and experiment with the KVM extender system more conveniently.

3.1 Package Contents

You should receive the following items in your extender package (all types):

- DVI-D Cat X KVM-Extender- pair (Local Unit + Remote Unit)
- 2x 5V DC universal power supply for the DVI-D Cat X - Extender
- 2x US type power cord
- User manual (Quick Setup)

ACS1009A and ACS2209A (additionally):

- KVM CPU cable set (1.8m) with one side: PS/2 (6-pin mini-DIN male) keyboard and mouse connector and DVI-I video (DVI-I dual link male) connector – other side: DVI-I video (DVI-I dual link male) connector
- PS2-Keyboard-/ Mouse adapter to connect K/M to the Local Unit (keyboard can be plugged in directly, without using an adapter)

ACS4001A and ACS4201A (additionally):

- DVI-I (1,8m) video cable (DVI-I dual link male-to-male)
- USB (1,8m) cable (USB type A to type B)

ACS2209A and ACS4201A (additionally):

- DVI-I (1,8m) video cable (DVI-I dual link male-to-male)

If anything is missing, please contact Technical Support (see **Appendix F – Calling Technical Support**).

3.2 Interconnection Cable Requirements

To connect the Local and Remote units you will need:

- **DVI, PS2-Keyboard, PS2-Mouse:** Connect the supplied KVM CPU cable set to your CPU (KVM.- Switch, etc.). Please ensure that the connection is tension-free! Devices ACS1009A + ACS2209A
- **DVI, USB-Keyboard, USB-Mouse:** Connect the supplied KVM CPU cable set to your CPU (KVM.- Switch, etc.). Please ensure that the connection is tension-free! Devices ACS4001A + ACS4201A
- **DVI:** Connect the supplied DVI CPU cable set to your CPU (KVM.- Switch, etc.). Please ensure that the connection is tension-free! Devices ACS2209A + ACS4201A
- **CATx Cable:** Recommended cable: S/UTP (CatX) according EIA/TIA 56A, TSB 36 or Digital STP 17-03170. Four pairs AWG 24. connection according EIA/TIA 568A (10BaseT). Use of cables from a higher category (Cat5e, Cat6, Cat7) is possible.

The use of unshielded CATx Cable is possible, because of the higher electromagnetic noise/sensitivity the device class may not be reached.

The use of flexible Cables (Patch cable) Type AWG26/8 is possible. Because of the higher loss of the stranded cables, the maximum distance is reduced to approx. half the value of solid cables.



A point to point connection is required. Having one or more patch panels in the line is possible and allowed. Not allowed is a connection from the CATx link interface (RJ45) to any other products, especially telecommunications or network equipment.

- **Power Supply**

Connect the supplied 5V/DC power supplies to the **Plug** terminal on the rear of both Local and Remote units.

3.3 System Setup

To install your DVI-D Cat X – Extender system:

1. Switch off all devices.
2. Connect your keyboard, monitor(s) and mouse to the Remote unit (depending on device type). Please ensure, to not swap Mouse- and Keyboard connector. The Keyboard connector is purple and the Mouse connector is green.
3. Using the supplied CPU KVM cable(s), connect the keyboard, monitor(s) and mouse connectors on the computer (or KVM switch). Please ensure, to not swap Mouse- and Keyboard connector. The Keyboard connector is purple and the Mouse connector is green.
4. Connect the interconnect cable to the INTERCONNECT socket(s)
5. Connect the 5V power supply to power the unit.



Only use the power supply originally supplied with this equipment or a manufacturer-approved replacement.

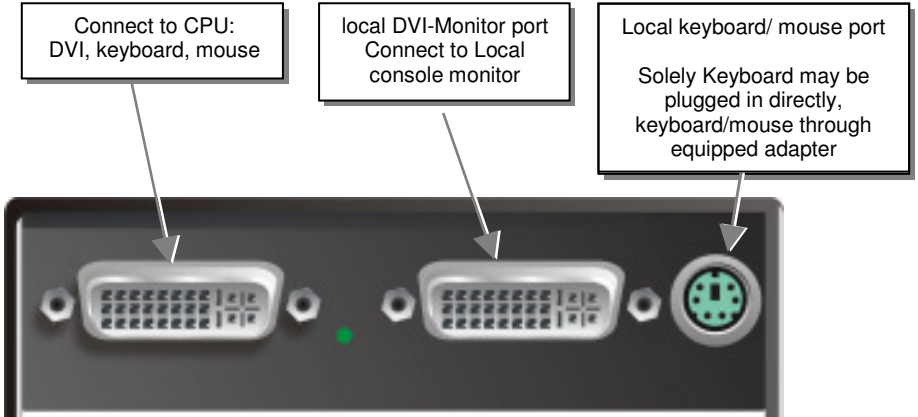
6. For a dual access system, connect the monitor for the Local console to the appropriate port on the Local unit. The port may also be used to feed into a KVM switch.

To the local (PS2-) Keyboard-/ Mouse port you can attach a Keyboard directly or Mouse/ Keyboard together, using the delivered adapter.

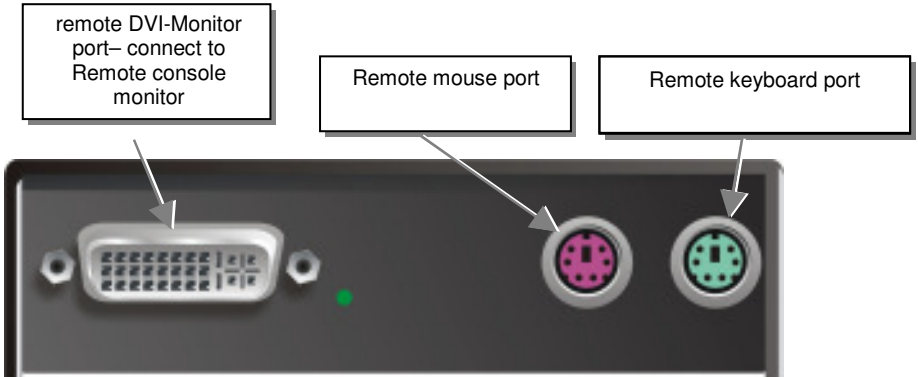
To attach a local (USB-) Keyboard/Mouse, please use additional USB port(s) at your CPU or use a USB Hub inbetween CPU and local unit's USB connector.

7. Power up the system.

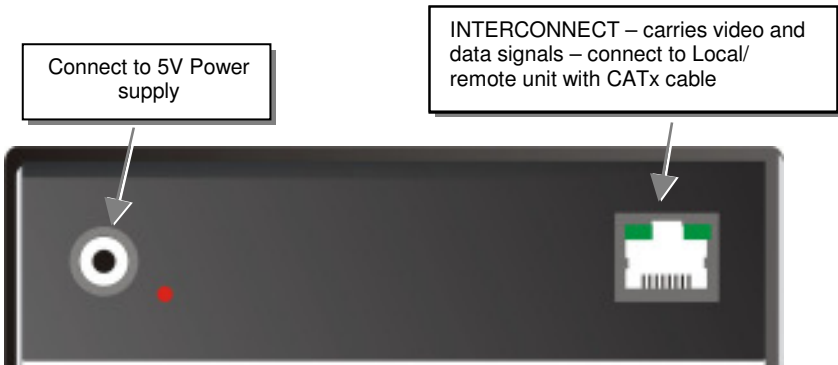
DVI-D CAT X KVM-EXTENDER



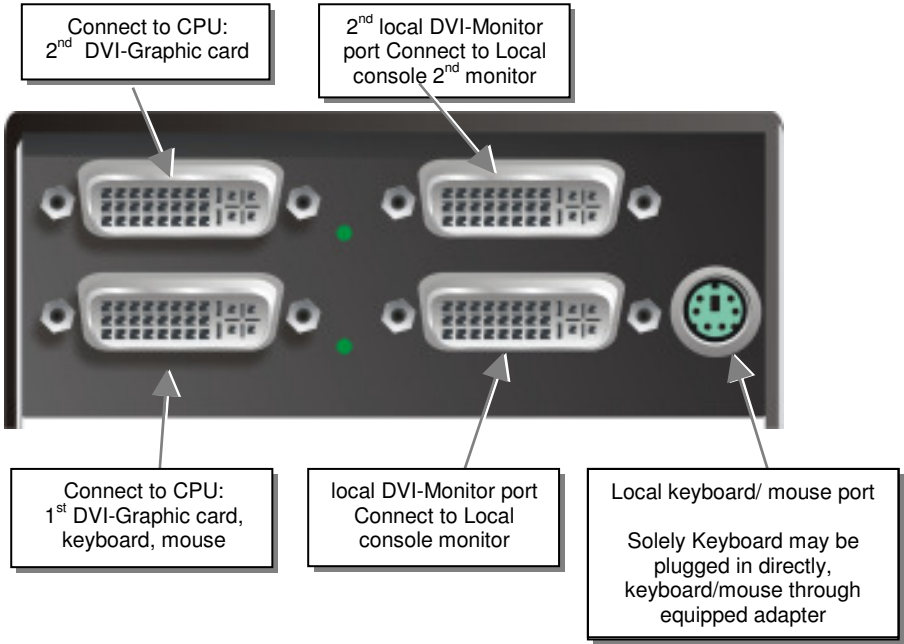
DVI-D Cat X KVM-Extender Type ACS1009A Local Unit



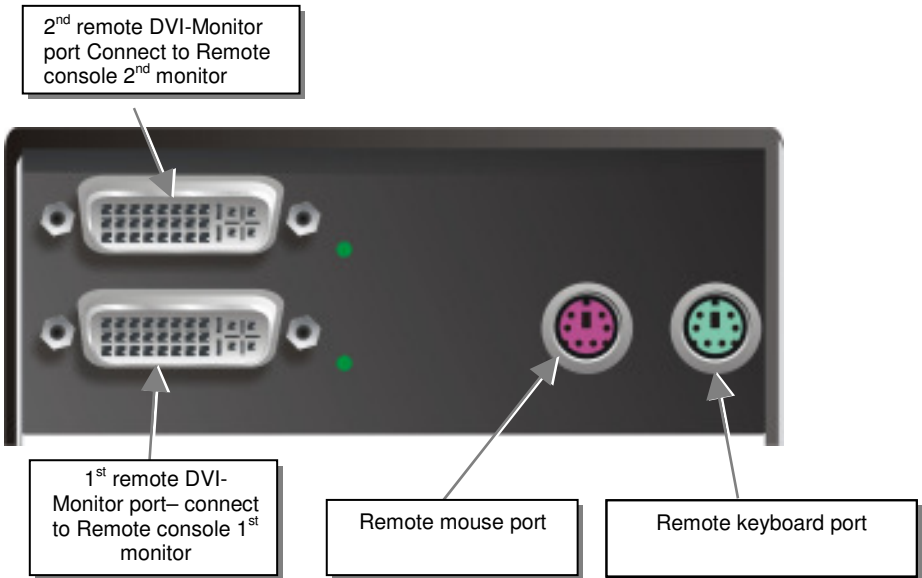
DVI-D Cat X KVM-Extender Type ACS1009A Remote Unit



DVI-D Cat X KVM-Extender Type ACS1009A Local/ Remote Unit



DVI-D Cat X KVM-Extender Type ACS2209A Local Unit



DVI-D Cat X KVM-Extender Type ACS2209A Remote Unit

DVI-D CAT X KVM-EXTENDER

INTERCONNECT – carries 2nd video – connect to Local/Remote unit with CATx cable



Connect to 5V Power supply

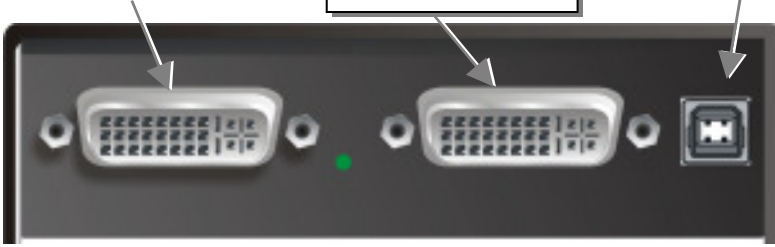
INTERCONNECT – carries 1st video and data signals – connect to Local/Remote unit with CATx cable

DVI-D Cat X KVM-Extender Type ACS2209A Local/ Remote Unit

Connect to CPU:
DVI graphic card

local DVI-Monitor port
Connect to Local
console monitor

Connect to CPU:
USB



DVI-D Cat X KVM-Extender Type ACS4001A Local Unit

remote DVI-Monitor
port– connect to
Remote console
monitor

Remote keyboard/mouse
port



DVI-D Cat X KVM-Extender Type ACS4001A Remote Unit

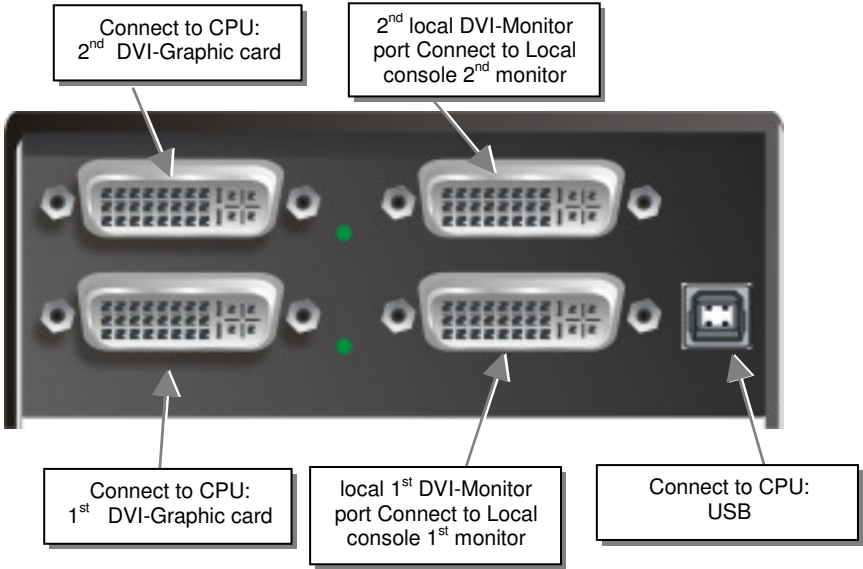
Connect to 5V Power
supply

INTERCONNECT – carries video and
data signals – connect to Local/
remote unit with CATx cable

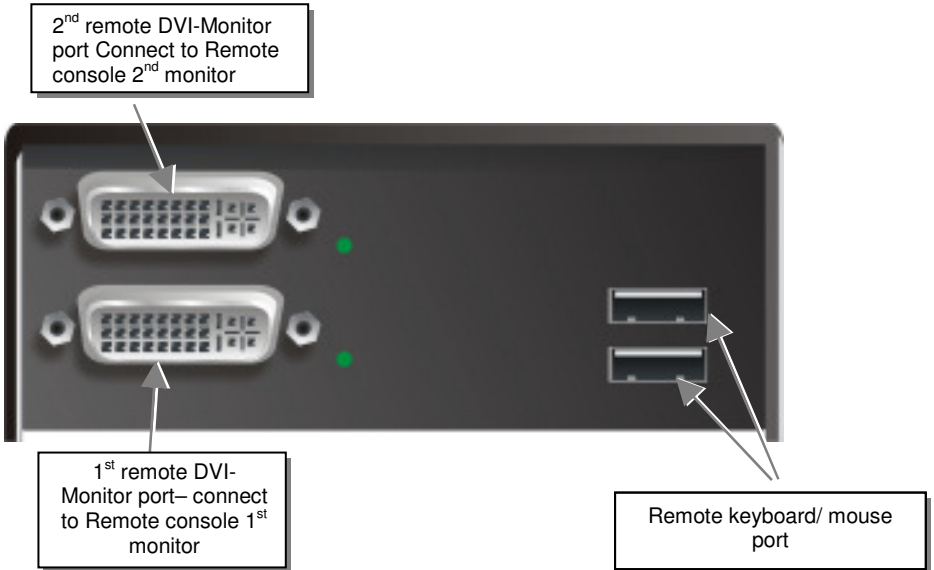


DVI-D Cat X KVM-Extender Type ACS4001A Local/ Remote Unit

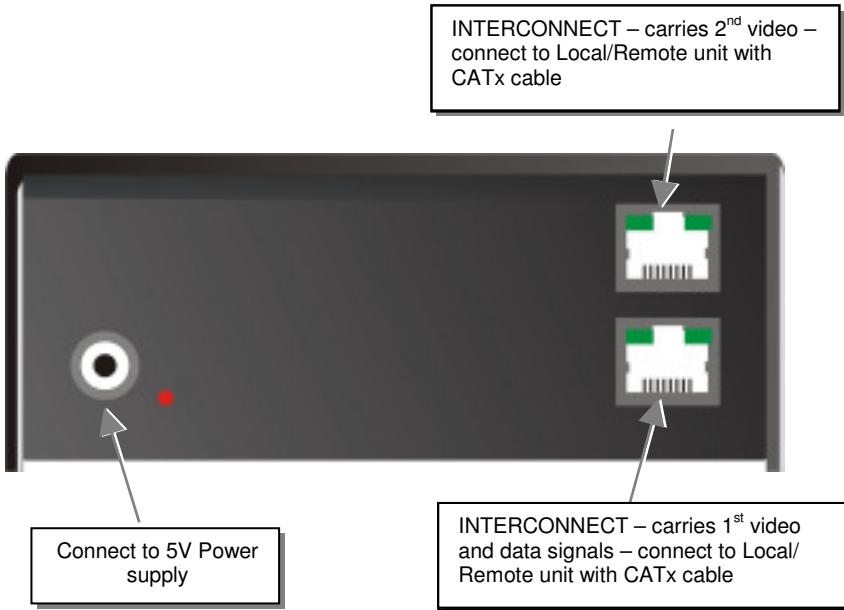
DVI-D CAT X KVM-EXTENDER



DVI-D Cat X KVM-Extender Type ACS4201A Local Unit



DVI-D Cat X KVM-Extender Type ACS4201A Remote Unit

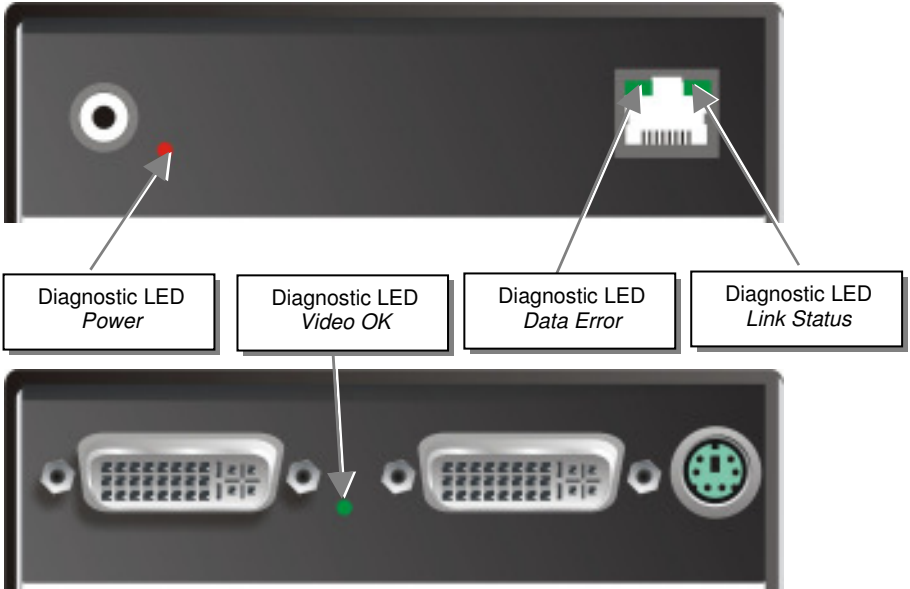


DVI-D Cat X KVM-Extender Type ACS4201A Local/ Remote Unit

3.4 Diagnostic LEDs

Each DVI-D Cat X KVM-Extender is fitted with four indicator LEDs: *Power*, *Video OK*, *Data Error*, *Link Status*: The *Power* LEDs are next to the Power socket.

The location of the LEDs is shown below:



Diagnostic - LEDs at DVI-D Cat X - Extender

<i>LED</i>	<i>Appearance</i>	<i>Diagnostics</i>
Power LED (Red LED)	Off On	Device not ready Device ready
Video Okay (Green LED)	Off On	No or invalid video signal detected Device ready
Link Status (Green LED)	blinking On	No CATX connection Device ready
Data Error (Green LED)	Off blinking / On	Device ready Errors through data transmission over CATX Cable (Cable too long, too high attenuation or too much EMI interferences)

4. Service Setup

For most applications, you shouldn't need not to make any adjustments to set up your DVXi/LC KVM-Extender. Under some special circumstances it could be necessary to setup configuration specials.

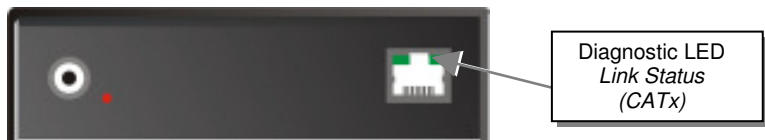
For some applications, you may need to open the Local Unit and/or the Remote Unit. Unscrew the Philips-type screws at both sides at the bottom of the device. Carefully displace the lower and upper shells of the case.



The diagnostic LED 'Video OK' is located at the local unit between the both DVI connectors



The diagnostic LED 'Link Status' is located near to the CATx- connectors

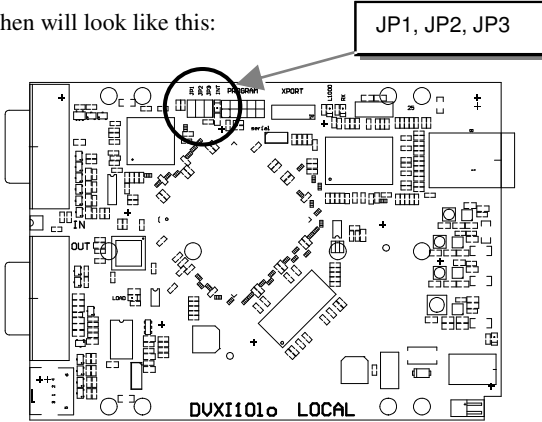


DVI-D CAT X KVM-EXTENDER

4.1 Setup at the Local Unit

After unscrewing and opening the upper shell, please place the device in this orientation: with the CATx connectors to the right and the electrical connectors to the left.

The main PCB then will look like this:



Use the diagram to locate jumpers.

DDC

You can select, whether the DDC is taken from internal DDC table or from local monitor or the DDC information could be downloaded from remote monitor and stored into internal table.

DDC	JP1	JP2	JP3
<i>From internal Table (default)</i>			
<i>From local Monitor</i>			
<i>Loading the DDC Information from the Remote Monitor into the internal DDC Table (see also below: Loading the DDC Information from the Remote Monitor into the internal DDC Table)</i>			
<i>Reset of the internal DDC Table to Default-Values (see also below: Reset of the internal DDC Table to Default-Values)</i>			

Loading the DDC Information from the Remote Monitor into the internal DDC Table

To load the DDC Information from the Remote Monitor into the internal DDC Table, please proceed the following steps:

- Switch off the Local Unit and the Remote Unit, unplug the Video-Cable to the Remote Monitor (Dualhead devices: BOTH Monitors!)
- Open the Local Unit like described above
- Unplug Jumper JP1 and plug it to Position JP3 (Dualhead devices: jumper setting on BOTH PCB's!)
- Switch on the Local and Remote Unit (Please ensure, the interconnect cable – CATx or fiber is connected - Dualhead devices: BOTH interconnect cables!)
- Wait until the LINK-LED is illuminated (see above)
- Plug the Video-Cable of the Remote Monitor into the remote unit (switch on the Monitor before plugging if switched off - Dualhead devices: BOTH Monitors!))
- The DDC Information of the Remote Monitors is read automatically, transferred to the Local Unit and stored into the DDC-EPROM
- After a successful programming of the DDC EPROM, the ,Video-OK' LED at the Local Unit is blinking rapidly for approx. 1 second
- Switch off the Local Unit and the Remote Unit
- Unplug Jumper JP3 and plug it to Position JP1 (Dualhead devices: jumper setting on BOTH PCB's!)
- Close the Local Unit like described above
- Switch on the Local Unit and the Remote Unit
- Done

Reset of the internal DDC Table to Default-Values

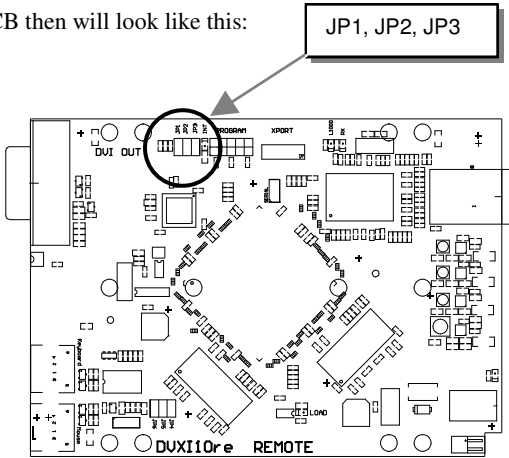
If you have loaded several DDC Configurations and got no satisfying result, you can restore the original (default) DDC Table. To do this, please proceed the followin steps:

- Switch off the Local Unit
- Open the Local Unit like described above
- Unplug Jumper JP1 (all Jumpers JP1, JP2 and JP3 are now open - Dualhead devices: jumper setting on BOTH PCB's!)
- Switch on the Local Unit
- After a successful reprogramming of the DDC EPROM, the ,Video-OK' LED at the Local Unit is blinking rapidly for approx. 1 second
- Switch off the Local Unit
- Replug Jumper JP1 (Dualhead devices: jumper setting on BOTH PCB's!)
- Close the Local Unit like described above
- Switch on the Local Unit
- Done

4.2 Setup at the Remote Unit

After unscrewing and opening the upper shell, please place the device in this orientation: with the CATx connectors to the right and the electrical connectors to the left.

The main PCB then will look like this:



Use the diagram to locate jumpers.

Selecting the moment of switching to the next frame

The transmission of screen data is not synchronous to the screen change of the graphic card. Normally, the transmission is terminated during displaying a frame on the screen. If the device switches to the new frame during the displaying period of the old frame (somewhere on the screen), it's possible, that you can see horizontal screen breaks in the moment of switching. On the other hand the device must idle, until the actual frame is displayed completely (until VSYNC) -> the number of frames per second transmitted sinks.

Moment to switch	JP3	behaviour
<i>Switching during HSYNC (default)</i>		Higher framerate but (possibly) horizontal breaks detectable
<i>Switching during VSYNC</i>		Lower framerate no horizontal breaks detectable but (possibly) stepping pictures

5. Troubleshooting

There isn't a picture.

Check the power supply connection at the Local unit. Is the *Power* (Red LED) at the Local unit illuminated (see page 24)? If not, the internal power-supply may be damaged or there may be an internal error.

Check the power supply connection at the remote unit. Is the *Power* (Red LED) at the Remote unit illuminated (see page 24)? If not, the internal power-supply may be damaged or there may be an internal error.

Check that the Interconnection cable is connected at the Local Unit and the Remote Unit. Is the *Link Status* LED illuminated (see page 24)? If not, there may be a problem with the Interconnection cable:

Are there Errors through data transmission over CATX Cable (Cable too long, too high attenuation or too much EMI interference)? Is the *Data Error* LED illuminated or blinking (see page 24)? If yes, check cable length and environment.

Video Okay LED is dark: CPU does not provide a video signal – Check settings of the graphic card. Try out, connecting a monitor to the local output, to see, whether there is a signal or not.

PS2-Keyboard

The PC boots fine with no error messages but the keyboard does not work at all

Wrong cable plugged in, keyboard and mouse cables reversed.

Try a different model of keyboard. If the new keyboard works then original one may be incompatible

Check that the Interconnection cable is connected at the Local Unit and the Remote Unit. Is the *Link Status* LED illuminated (see page 24)?

PS2-Mouse

A mouse cursor appears on the screen, but the mouse does not work

Wrong cable plugged in, keyboard and mouse cables reversed.

Try a different model of mouse

You have connected the Local unit while the CPU was running. Therefore you have connected first the keyboard cable and then the mouse cable. Disconnect the keyboard cable and connect it again. Please reboot you CPU if the mouse is still not running.

The system does not detect a PS/2 mouse, or the application cannot find the mouse.

Wrong cable plugged in, keyboard and mouse cables reversed.

Ensure that the Local Unit is connected to the PC keyboard port to provide power.

USB-Keyboard/USB-Mouse

Your USB-keyboard/USB-mouse does not work

Although we tried to design the devices as transparent as possible, we can't ensure that all devices are running. Please ask Technical Support for a list of tested devices.

USB-HID device

Your USB-HID device does not work

Although our interface supports HID devices, we can't ensure that every connected device is running. In case of a malfunction please contact our technical support.

Other USB-devices

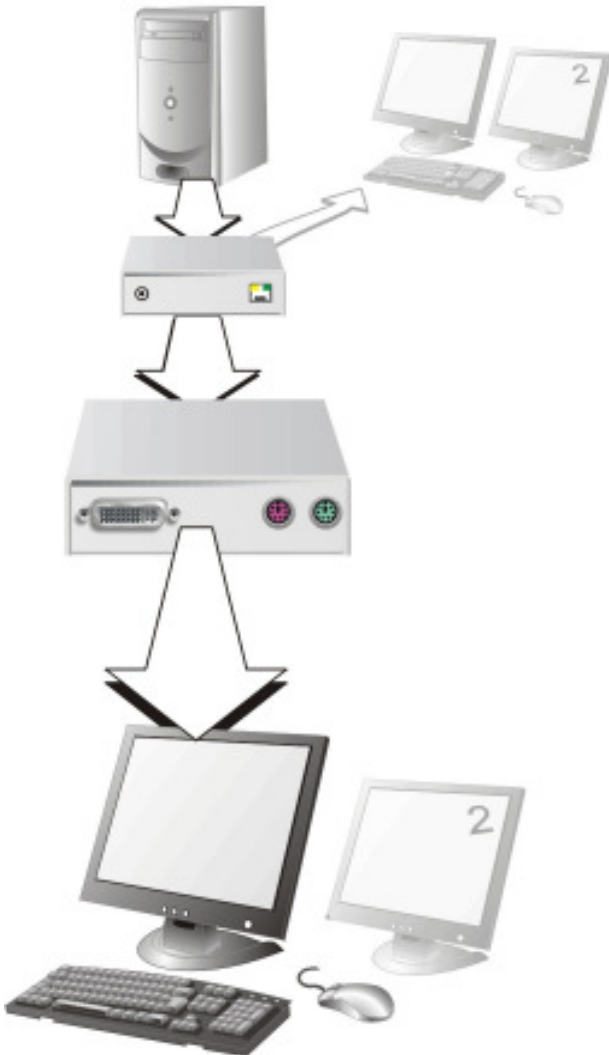
Your USB- device does not work

You have connected a non-HID device. There are supported HID devices only. All other devices are dismissed

Appendix A: Example Applications

This section illustrates some specific applications using the DVI-D Cat X - Extenders:

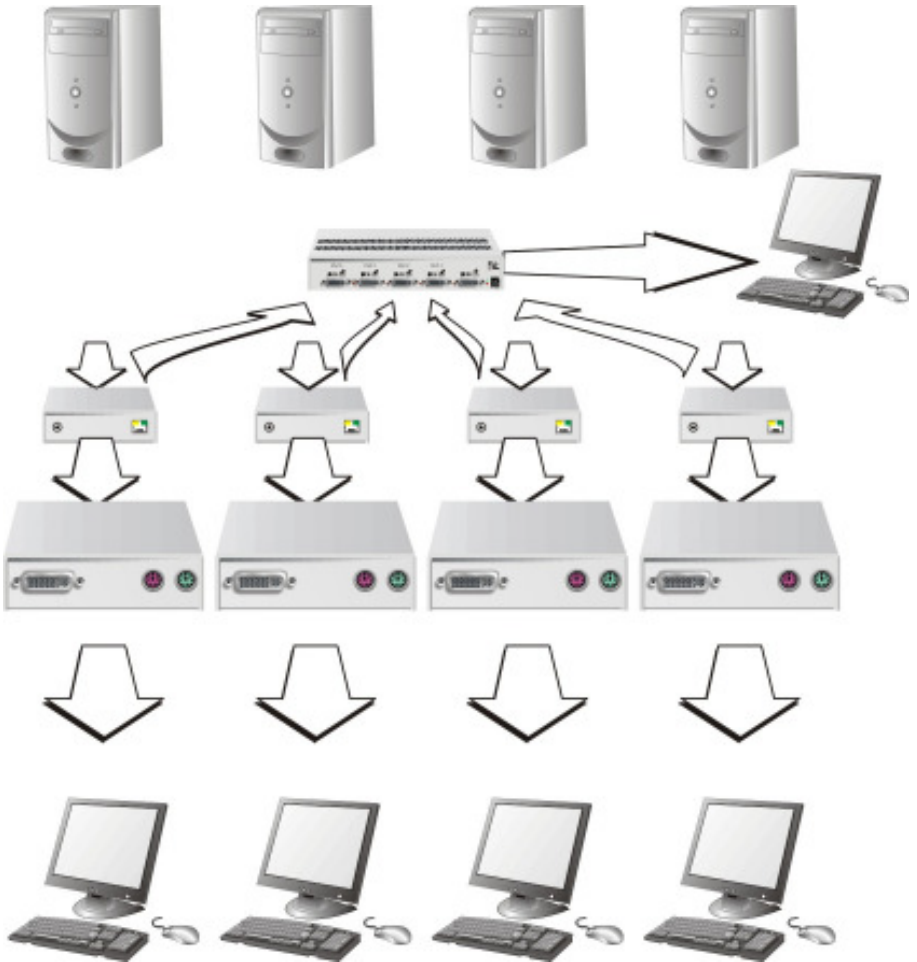
- DVI-D Cat X KVM-Extender with optional, secondary screen.



DVI-D Cat X KVM-Extender with optional, secondary screen

APPENDIX A: EXAMPLE APPLICATIONS

- 4 CPU's – local outputs managed through a KVM- Switch and a single console. Remote Consoles up to 140m away.

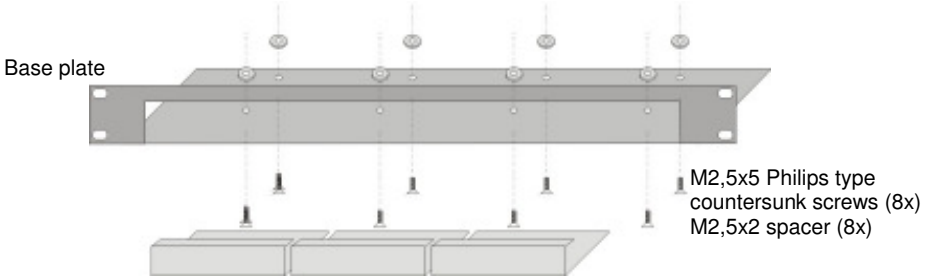


DVI-D Cat X KVM-Extender – local Consoles through a KVM- Switch

Appendix B: Rack Mount Options

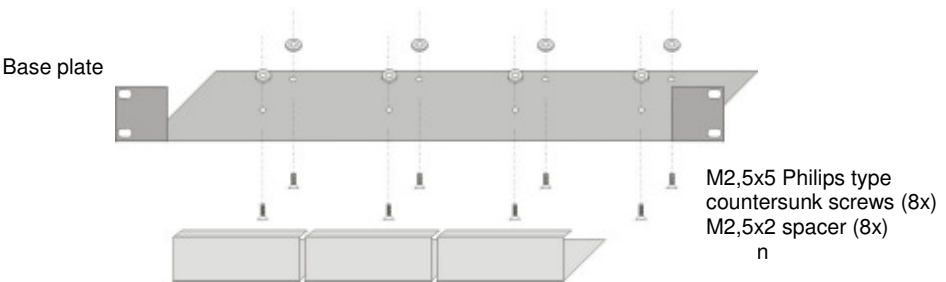
DVI-D Cat X KVM- Extender units can be mounted in a 19” rack using the mounting kit: **DVI-D Cat X- Rackmount Kit**. Two different versions are available – one each for Singlehead and for Dualhead devices.

DVI-D Cat X- Rackmount Kit for Singlehead devices consists of:



19” Rackmount Kit for Singlehead devices (ACS1009A-RMK)

DVI-D Cat X- Rackmount Kit for Singlehead devices consists of:



19” Rackmount Kit for Dualhead devices (ACS2209A-RMK)

To mount a unit:

1. Align the holes on the base plate with the vacant screw holes on the base of the DVI-D Cat X KVM- Extender unit.
2. Fasten the base of the unit to the plate of the mounting kit using the supplied screws.



Only use the supplied, short screws, to prevent damages on the PCB's

3. Close the remaining gaps with blanking plates.

The kit allows you to mount a different count of devices
(1...4 devices):

Single-Head



Einbau 1 Gerät
mounting 1 device



Einbau 2 Geräte
mounting 2 devices



Einbau 3 Geräte
mounting 3 devices



Einbau 4 Geräte
mounting 4 devices

Dual-Head



Einbau 1 Gerät
mounting 1 device



Einbau 2 Geräte
mounting 2 devices



Einbau 3 Geräte
mounting 3 devices



Einbau 4 Geräte
mounting 4 devices

Appendix C: Calling Technical Support

If you determine that your DVI-D –Cat X KVM Extender is malfunctioning, *do not attempt to alter or repair it*. It contains no user-serviceable parts. Contact Technical Support at Black Box!

Before you do, make a record of the history of the problem. We will be able to provide more efficient and accurate assistance if you have a complete description, including:

- The firmware-revision level printed on the bottom of the Extender (very important, especially for keyboard and mouse problems); The DVI-D CAT X - KVM extender's firmware revision level:

Version Number Format:

Board: ***xxLO/RE Myyy Pzzz Auuu Gvvvvvv***

Transceiver: ***C/M/S xx Pyy Mzz***

Keyboard/Mouse: ***P/U xx Vyyy***

- The nature and duration of the problem.
- When the problem occurs.
- The components involved in the problem—that is, what type of computers, what type of keyboard, brand of mouse, make and model of monitor, type and make of cable, etc.
- Any particular application that, when used, appears to create the problem or make it worse.
- The results of any testing you've already done.

To solve some problems, it might be necessary to upgrade the Extender's firmware. If this turns out to be the case for your difficulty, our Technical Support technicians will arrange for you to receive the new firmware and will tell you how to install it.

Shipping and Packaging

If you need to transport or ship your DVI-D CAT X - KVM Extender:

- Package it carefully. We recommend that you use the original container.
- If you are shipping it for repair, please include the Unit's external power supplies. If you are returning it, please include everything you received with it. Before you ship the Extender back to your dealer for repair or return, contact him to get a Return Authorization (RA) number.

APPENDIX C: CALLING TECHNICAL SUPPORT

Black Box Technical Support

Country	Web Site/E-Mail	Phone	Fax
US	www.blackbox.com info@blackbox.com	724-746-5500	724-746-0746
Austria	www.black-box.at support@black-box.at	+43 1 256 98 56	+43 1 256 98 56
Belgium	www.blackbox.be support.english@blackbox.be support.french@blackbox.be support.nederlands@blackbox.be	+32 2 725 85 50	+32 2 725 92 12
Denmark	www.blackbox.dk blackbox@blackbox.dk	+45 56 63 30 10	+45 56 65 08 05
Finland	www.blackbox.fi tuki@blackbox.fi	+358 201 888 800	+358 201 888 808
France	www.blackbox.fr tech@blackbox.fr	+33 820 07 09 11	+33 820 05 07 09
Germany	www.black-box.de techsupp@black-box.de	+49 811 5541 110	+49 811 5541 499
Ireland	www.blackbox.co.uk techhelp@blackbox.co.uk	+353 1 662 2466	+353 1 662 2477
Italy	www.blackbox.it supporto.tecnico@blackbox.it	+39 02 27 404 700	+39 02 27 400 219
Netherlands	www.blackbox.nl techsupport@blackbox.nl	+31 30 241 7799	+31 30 241 4746
Norway	www.blackboxnorge.no support@blackboxnorge.no	+47 55 300 710	+47 55 300 701
Spain	www.blackbox.es tecnico@blackbox.es	+34 916590732	+34 916239784
Sweden	www.blackboxab.se support@blackboxab.se	+46 8 44 55 890	+46 08 38 04 30
Switzerland	www.black-box.ch support@black-box.ch	+41 55 451 70 71	+41 55 451 70 75
UK	www.blackbox.co.uk techhelp@blackbox.co.uk	+44 118 965 6000	+44 118 965 6001

Appendix D: Specifications

Power Supply

Voltage	100-240VAC-0.5A-47-63Hz/5VDC-2000 mA
Power required	Local Unit : max. 750mA Remote Unit : max. 750mA

Interface

(Depending on type of device)

Video source/Monitor	DVI-D up to 1600x1200@60Hz
Keyboard	PS2 or USB (depending on model)
Mouse	PS2 or USB (depending on model) 2-/3-button and wheel mouse

Maximum Length of Interconnection Cable

CATx Installation cable AWG24	120m (400ft)
CATx Patchcable AWG26/8	60m (200ft)

Type of Interconnection Cable

CATx Installation cable AWG24	S/UTP (CatX) cable acc. EIA/TIA 56A, TSB 36 or Digital STP 17-03170. Four pairs AWG 24. wiring acc. EIA/TIA 568A (10BaseT)..
CATx Patchcable AWG26/8	S/UTP (CatX) cable acc. EIA/TIA 56A, TSB 36 or Digital STP 17-03170. Four pairs AWG 26/8. wiring acc. EIA/TIA 568A (10BaseT)..

Size and Shipping Weight

DVI-D Cat X 103 x 143 x 29mm (4"x5.6"x1.1") (2 devices)
Weight: 0,6kg (1.3lb) each

Shipping box Weight: 1,6 kg (3.5lb)

Environmental

Operating Temperature 41 to 113°F (5 to 45 °C)

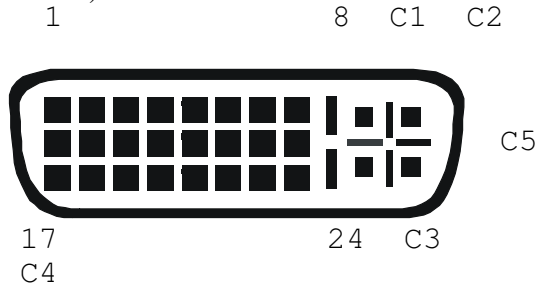
Storage Temperature -13 to 140°F (-25 to 60 °C)

Relative Humidity max. 80% non-condensing

Appendix E: Connectors

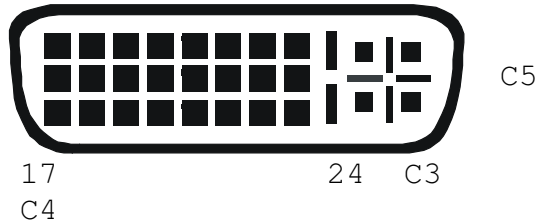
DVI-D Cat X KVM-Extender Connector Pinouts

DVI-I female connector (Output connector for ALL devices and Input connector Dualhead devices 2nd Monitor)



<i>Pin</i>	<i>Signal</i>	<i>Pin</i>	<i>Signal</i>	<i>Pin</i>	<i>Signal</i>
1	T.M.D.S data 2-	9	T.M.D.S data 1-	17	T.M.D.S data 0-
2	T.M.D.S data 2+	10	T.M.D.S data 1+	18	T.M.D.S data 0+
3	T.M.D.S data 2 GND	11	T.M.D.S data 1 GND	19	T.M.D.S data 0 GND
4	n.c.	12	n.c.	20	n.c.
5	n.c.	13	n.c.	21	n.c.
6	DDC Input (SCL)	14	+5V high impedance	22	T.M.D.S clock GND
7	DDC Output(SDA)	15	GND	23	T.M.D.S clock +
8	Internal use.	16	Hot Plug recognition	24	T.M.D.S clock -
C1	Internal use.			C3	Internal use.
C2	n.c.	C5	GND	C4	Internal use.

DVI-I female connector (Input connector for ALL Singlehead devices and Input connector Dualhead devices 1st Monitor)



<i>Pin</i>	<i>Signal</i>	<i>Pin</i>	<i>Signal</i>	<i>Pin</i>	<i>Signal</i>
1	T.M.D.S data 2-	9	T.M.D.S data 1-	17	T.M.D.S data 0-
2	T.M.D.S data 2+	10	T.M.D.S data 1+	18	T.M.D.S data 0+
3	T.M.D.S data 2 GND	11	T.M.D.S data 1 GND	19	T.M.D.S data 0 GND
4	PS2-KBD CLK	12	PS2-MOUSE CLK	20	PS2-MOUSE VCC-IN +5V (not required)
5	PS2-KBD DATA	13	PS ² -MOUSE-DATA	21	PS2-KBD VCC-IN +5V (always required)
6	DDC Input (SCL)	14	+5V In for DDC	22	T.M.D.S clock GND
7	DDC Output(SDA)	15	GND	23	T.M.D.S clock +
8	Analog VSYNC	16	Hot Plug recognition	24	T.M.D.S clock -
C1	n.c.			C3	n.c.
C2	n.c.	C5	GND	C4	n.c.

DVI-D CAT X KVM-EXTENDER

Combined Keyboard/Mouse connector (output connector Local Unit)



<i>Pin</i>	
1	KBD-DATA
2	MOUSE-DATA
3	KBD/MOUSE-GND
4	VCC (+5V)
5	KBD-CLK
6	MOUSE-CLK

Keyboard/Mouse connector (output connector Remote Unit)



<i>Pin</i>	<i>Keyboard</i>	<i>Pin</i>	<i>Mouse</i>
1	KBD-DATA	1	MOUSE-DATA
2		2	
3	KBD-GND	3	MOUSE-GND
4	VCC (+5V)	4	VCC (+5V)
5	KBD-CLK	5	MOUSE-CLK
6		6	

Keyboard/Mouse Adapter to connect Keyboard/Mouse to Local Unit



<i>Pin</i>	<i>Connector (device)</i>	<i>Pin</i>	<i>Keyboard</i>	<i>Pin</i>	<i>Mouse</i>
1	KBD-DATA	1	KBD-DATA	2	
2	MOUSE-DATA	2		1	MOUSE-DATA
3	KBD-GND	3	KBD -GND	3	MOUSE-GND
4	VCC (+5V)	4	VCC (+5V)	4	VCC (+5V)
5	KBD-CLK	5	KBD -CLK	6	
6	MOUSE-CLK	6		5	MOUSE-CLK

Power



<i>Pin</i>	<i>Signal</i>
inner	+5V
outer	GND

NOTES