

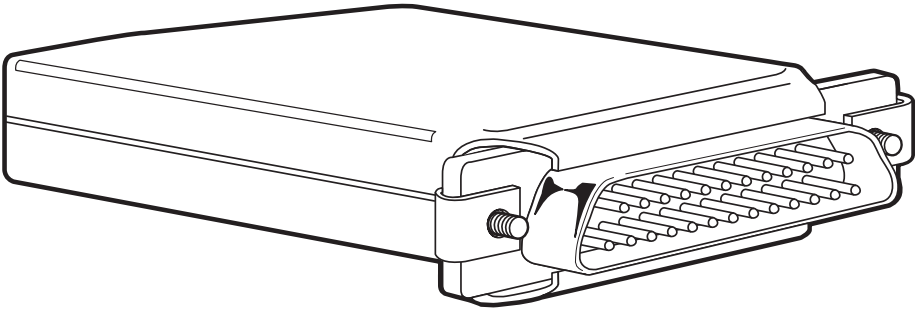


© Copyright 1999. Black Box Corporation. All rights reserved.

1000 Park Drive • Lawrence, PA 15055-1018 • 724-746-5500 • Fax 724-746-0746



## RS-232 Connector Kit



---

**CUSTOMER  
SUPPORT  
INFORMATION**

Order **toll-free** in the U.S. 24 hours, 7 A.M. Monday to midnight Friday: **877-877-BBOX**  
FREE technical support, 24 hours a day, 7 days a week: Call **724-746-5500** or fax **724-746-0746**  
Mail order: **Black Box Corporation**, 1000 Park Drive, Lawrence, PA 15055-1018  
Web site: [www.blackbox.com](http://www.blackbox.com) • E-mail: [info@blackbox.com](mailto:info@blackbox.com)

# 1. Introduction

## 1.1 Description

The RS-232 Connector Kit is a complete kit for assembling an RS-232 connector. Part number FA012 contains a male RS-232 connector; part number FA022 contains a female RS-232 connector.

## 1.2 What the Package Includes

The FA012 includes:

- (1) DB25 male shell
- (25) male crimp pins
- (1) set of male screw locks
- (1) hood assembly

The FA022 includes:

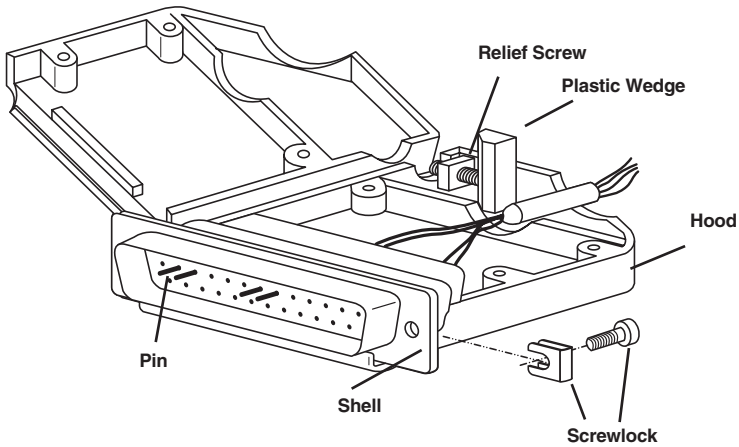
- (1) DB25 female shell
- (25) female crimp pins
- (1) set of female screw locks
- (1) hood assembly

# 2. Assembly

Refer to the illustration on the next page as you assemble the connector.

1. Crimp the pins onto the end of the cable that you want to insert into the connector.
2. Insert the pins into the desired locations on the connector.
3. Slide the small U-shaped bracket of the screw-lock assembly over the mounting hole in the connector. Insert a small screw through this bracket and connector. Make sure the threaded end of the screw is at the same end as the connector pins. Repeat this procedure for the other hole.

4. Place the connector in one of the hood shells, making sure that the cable is exiting through the hole provided.
5. Insert the threaded screw into the square nut. With the head of the screw facing out, set this assembly in the notch next to the hole in the hood for the cable.
6. Insert the wedge-shaped piece of plastic between the cable and the screw assembly from step #4.
7. Attach the two shells together by inserting the three screws through the holes in the hood. Tighten the screws enough to hold the assembly in place.
8. Tighten the strain-relief screw. This screw applies pressure to the cable to prevent it from being pulled out of the assembly.
9. Securely tighten the screw that holds the two hood halves together.
10. The connector is now properly assembled.



**Figure 1. Connector Assembly.**