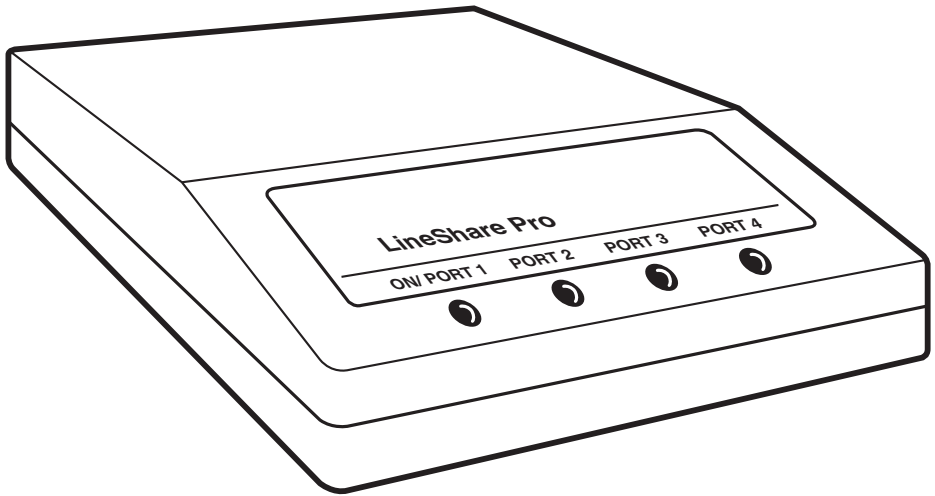




Lineshare Pro AC



**CUSTOMER
SUPPORT
INFORMATION**

Order **toll-free** in the U.S. 24 hours, 7 A.M. Monday to midnight Friday: **877-877-BBOX**
FREE technical support, 24 hours a day, 7 days a week: Call **724-746-5500** or fax **724-746-0746**
Mail order: **Black Box Corporation**, 1000 Park Drive, Lawrence, PA 15055-1018
Web site: www.blackbox.com • E-mail: info@blackbox.com

FEDERAL COMMUNICATIONS COMMISSION RADIO FREQUENCY INTERFERENCE STATEMENT

Class B Digital Device. This equipment has been tested and found to comply with the limits for a Class B computing device pursuant to Part 15 of the FCC Rules. These limits are designed to provide reasonable protection against harmful interference in a residential installation. However, there is no guarantee that interference will not occur in a particular installation. This equipment generates, uses, and can radiate radio frequency energy, and, if not installed and used in accordance with the instructions, may cause harmful interference to radio or telephone reception, which can be determined by turning the equipment off and on, the user is encouraged to try to correct the interference by one of the following measures:

- Reorient or relocate the receiving antenna.
- Increase the separation between the equipment and receiver.
- Connect the equipment into an outlet on a circuit different from that to which the receiver is connected.
- Consult an experienced radio/TV technician for help.

Caution:

Changes or modifications not expressly approved by the party responsible for compliance could void the user's authority to operate the equipment.

To meet FCC requirements, shielded cables and power cords are required to connect this device to a personal computer or other Class B certified device.

NORMAS OFICIALES MEXICANAS (NOM) ELECTRICAL SAFETY STATEMENT

INSTRUCCIONES DE SEGURIDAD

1. Todas las instrucciones de seguridad y operación deberán ser leídas antes de que el aparato eléctrico sea operado.
2. Las instrucciones de seguridad y operación deberán ser guardadas para referencia futura.
3. Todas las advertencias en el aparato eléctrico y en sus instrucciones de operación deben ser respetadas.
4. Todas las instrucciones de operación y uso deben ser seguidas.
5. El aparato eléctrico no deberá ser usado cerca del agua—por ejemplo, cerca de la tina de baño, lavabo, sótano mojado o cerca de una alberca, etc..
6. El aparato eléctrico debe ser usado únicamente con carritos o pedestales que sean recomendados por el fabricante.
7. El aparato eléctrico debe ser montado a la pared o al techo sólo como sea recomendado por el fabricante.
8. Servicio—El usuario no debe intentar dar servicio al equipo eléctrico más allá a lo descrito en las instrucciones de operación. Todo otro servicio deberá ser referido a personal de servicio calificado.
9. El aparato eléctrico debe ser situado de tal manera que su posición no interfiera su uso. La colocación del aparato eléctrico sobre una cama, sofá, alfombra o superficie similar puede bloquea la ventilación, no se debe colocar en libreros o gabinetes que impidan el flujo de aire por los orificios de ventilación.
10. El equipo eléctrico deber ser situado fuera del alcance de fuentes de calor como radiadores, registros de calor, estufas u otros aparatos (incluyendo amplificadores) que producen calor.

11. El aparato eléctrico deberá ser conectado a una fuente de poder sólo del tipo descrito en el instructivo de operación, o como se indique en el aparato.
12. Precaución debe ser tomada de tal manera que la tierra física y la polarización del equipo no sea eliminada.
13. Los cables de la fuente de poder deben ser guiados de tal manera que no sean pisados ni pellizcados por objetos colocados sobre o contra ellos, poniendo particular atención a los contactos y receptáculos donde salen del aparato.
14. El equipo eléctrico debe ser limpiado únicamente de acuerdo a las recomendaciones del fabricante.
15. En caso de existir, una antena externa deberá ser localizada lejos de las líneas de energía.
16. El cable de corriente deberá ser desconectado del cuando el equipo no sea usado por un largo periodo de tiempo.
17. Cuidado debe ser tomado de tal manera que objetos líquidos no sean derramados sobre la cubierta u orificios de ventilación.
18. Servicio por personal calificado deberá ser provisto cuando:
 - A: El cable de poder o el contacto ha sido dañado; u
 - B: Objetos han caído o líquido ha sido derramado dentro del aparato; o
 - C: El aparato ha sido expuesto a la lluvia; o
 - D: El aparato parece no operar normalmente o muestra un cambio en su desempeño; o
 - E: El aparato ha sido tirado o su cubierta ha sido dañada.

TRADEMARKS

All applied-for and registered trademarks are the property of their respective owners.

CONTENTS

- 1. Specifications.....9
- 2. Introduction10
 - 2.1 Before You Begin10
 - 2.2 About the Lineshare Pro10
- 3. Installation.....12
 - 3.1 Ports on the Lineshare Pro12
 - 3.2 Installing the Lineshare Pro on a Single Phone Line
with a Single Phone14
 - 3.3 Connecting Telephone Equipment to the Lineshare Pro16
 - 3.4 Installing the Lineshare Pro on a Single Phone Line
with Multiple Single-Line Phones18
 - 3.5 Installing the Lineshare Pro on a Single Phone Line
with Multiple Phones to Maintain Exclusion19
 - 3.6 Installing the Lineshare Pro on a KSU or PBX System22
- 4. Using the Lineshare Pro24
 - 4.1 Special Operating Notes.....24
 - 4.2 Lineshare Pro Call Routing.....25
 - 4.3 Answering Incoming Calls.....26
 - 4.4 Answering Calls from Port 126
 - 4.5 Answering Calls with a TAD26
 - 4.6 Retrieving TAD Messages from a Remote Location27
 - 4.7 Placing an Outbound Call.....27
 - 4.8 Emergency Call Override28
 - 4.9 Sending a Fax or Modem Transmission29
 - 4.10 Receiving a Computer Call to a Port29
 - 4.11 Dialing the Port Access Code from an Extension Phone29
 - 4.12 Dialing the Destination Computer through the
Calling Computer30
 - 4.13 Using Single-Frequency Tone Detection.....31
- 5. Using the Lineshare Pro’s Custom Features and Functions33
 - 5.1 Entering the Programming Mode33
 - 5.2 Lineshare Pro Features.....34
 - 5.3 Lineshare Pro Functions36
 - 5.4 Changing ON/OFF features38
 - [0] Extension Detection38
 - [1] Home Routing39
 - [2] Secured Operation39

[3]	No Answer Cascade	40
[4]	Answer/Disconnect Cascade	41
[5]	Pulse Transfer	41
[6]	Open Line Notification	42
[7]	Inbound Tone Transfer	42
[8]	Ring Reduction	43
[9]	Outbound Tone Transfer	43
5.5	Changing Function Options	44
[2][1]	Protocol Tone Access Signal Detection	44
[2][2]	Dual Tone Detection	45
[2][3]	Protocol Tone Access Signal Assignment	45
[3]	Cascade Port Order	47
[4]	Phantom Ring Style	48
[5]	Emergency Call Override	48
[6]	Dual Tone Assignments	49
[7][5]	Time at Home	49
[7][6]	Extension Detection Timer	50
[8]	Rings Available to the Ports	50
[8][5]	Rings to Answer Call	51
[9][9][9]	Reset to Factory Settings.....	51

1. Specifications

Connectors — (1) RJ-11 line in,
(4) RJ-11 device ports

Ringer Equivalency — 1.0 B

Operating Temperature — 5° to
113° F (-15° to 45° C)

Maximum Relative Humidity —
85%

MTBF — 56,200 hours

Power — 12 VAC, 830 mA external
transformer

Size — 1.7"H x 5.7"W x 6.1"D
(4.3 x 14.5 x 15.5 cm)

Weight — 3 lb. (1.4 kg)

2. Introduction

2.1 Before You Begin

This guide is designed to introduce you to the operating and installation procedures for using the Lineshare Pro.

Please read this guide and select the installation procedures appropriate for your specific application before attempting to connect or operate the Lineshare Pro.

NOTES

According to standard industry practice, surge protection is recommended for all telecommunications devices. Surge suppressors and/or line conditioning should be used on the input power supply, as well as the connected telephone line.

Call Waiting: Fax machine and modem transmissions could be disrupted by the call waiting beep tone.

Call Forwarding: If call forwarding is enabled, the Lineshare Pro A/C cannot process calls on that line.

Phone Company Voice Mail: The phone company's voice-mail service is not compatible with the Lineshare Pro, but stand-alone voice mail systems work well with the Lineshare Pro.

We recommend that service for call forwarding, and the phone company's voice mail be discontinued. If you have problems with call waiting, simply turn off call waiting during data transmissions.

2.2 About the Lineshare Pro

The Lineshare Pro is a state-of-the-art telephone-line sharing device that eliminates the extra dedicated telephone lines used to operate a fax, modem, or other telephone devices. It quickly directs incoming telephone calls to one of four appropriate destinations, typically a computer modem or fax/modem, a facsimile machine, a telephone, and a Telephone Answering Device (TAD), or any other telephone device that responds to a standard phone-company ring signal.

Listed below are examples of various telephone-activated devices that can be connected to the Lineshare Pro:

- Fax/modem
- Computer modem
- Facsimile machine
- Telephone Answering Device (TAD)
- Telephone
- Bulletin Board System (BBS)
- Credit-card authorization terminal
- Security alarm and monitoring system

- Order-processing system
- Point-of-sale terminal
- Call diverter
- Fluid-storage system
- Energy-management system
- Money-order dispensing system
- Laser fax cartridge
- Remote diagnostic system
- Time and attendance system
- Flow-monitoring system

The Lineshare Pro can be configured for various modes of operation. Read through the rest of this guide to learn how to properly operate the Lineshare Pro in each of these modes.

3. Installation

The Lineshare Pro is a single-line device that can be installed on any type of modular or non-modular phone system that consists of one or more lines, with one or more phones. A modular phone system consists of phone cables that can be connected and disconnected from a telephone device. A non-modular phone system consists of cables that are hard-wired to the telephone device and cannot be disconnected from the equipment. You might need a telephone installer to install the Lineshare Pro on a non-modular system.

NOTE

Many offices have a KSU or a PBX phone system. The Lineshare Pro works with either of these systems. Simply follow the appropriate installation instructions provided in Section 3.6.

The following sections explain how to install the Lineshare Pro in three different phone configurations:

- a single phone line with a single phone
- a single phone line with multiple phones maintaining exclusion
- a KSU or PBX system

For installation, you may need the following equipment:

- one telephone cable—provided with the Lineshare Pro
- additional telephone cables—typically supplied with equipment by the manufacturer. You need additional telephone cables (EL04MS=RJ-11 cord) for as many pieces of equipment as you intend to connect to the Lineshare Pro.
- extension cables (part number FM011)—required if the connecting equipment is not located near the Lineshare Pro.

3.1 Ports on the Lineshare Pro

The rear panel of the Lineshare Pro has five (5) modular ports and a power input port, as shown in **Figure 3-1**.

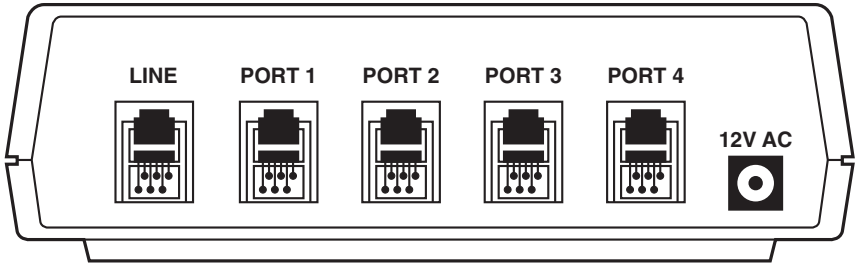


Figure 3-1. Rear Panel of the Lineshare Pro.

Connect the telephone equipment to the modular ports on the Lineshare Pro as follows:



1. Use this port to connect a single telephone line from a wall jack to the Lineshare Pro.
2. Any type of analog telephone device may connect to this port (such as a fax, answering machine, computer modem, and so on). This port is also used for making any programming changes.
3. Any type of analog

PORT 2



telephone device may connect to this port (such as a fax, answering machine, computer modem, and so on).

PORT 3



4. Any type of analog telephone device may connect to this port (such as a fax, answering machine, computer modem, and so on).

PORT 4



5. Any type of analog telephone device may connect to this port (such as a fax, answering machine, computer modem, and so on).

3.2 Installing the Lineshare Pro on a Single Phone Line with a Single Phone

Figure 3-2 shows a single-line/single-phone arrangement before installing the Lineshare Pro. If you have this type of arrangement, you can install the Lineshare Pro yourself using the instructions provided in this section.

Telephone Wall Jack

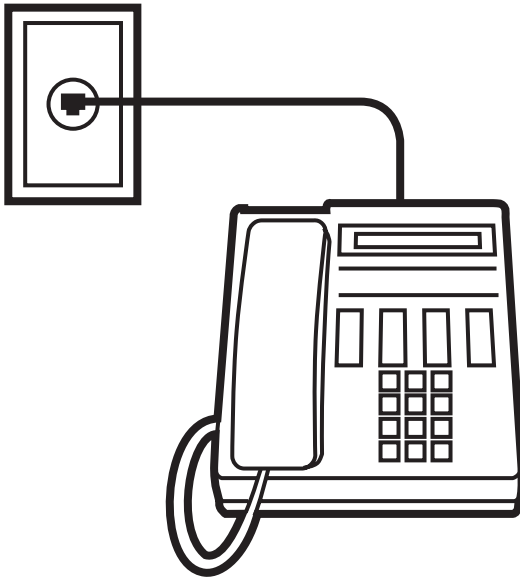


Figure 3-2. A Single-Phone Line/Single-Phone Arrangement Before Installing the Lineshare Pro.

To install the Lineshare Pro on a single phone line, as shown in **Figure 3-3**, follow these steps:

- Unplug the telephone cable from the wall jack.
- Plug one end of the telephone cable provided with the Lineshare Pro into the LINE port on the back of the Lineshare Pro. Plug the other end of the cable into the wall jack where the phone was connected.
- Plug the small end of the AC power cord provided with the Lineshare Pro into the power input port labeled 12 VAC on the back of the Lineshare Pro. Plug the AC adapter into a standard AC outlet.

The Lineshare Pro begins a self-check eight (8) seconds after power is applied. When the Lineshare Pro completes its self-check, the green ON/PORT 1 LED remains ON.

NOTE

The line must be installed for the unit to pass the self-test and show proper indication of LED ON/PORT 1 LED.

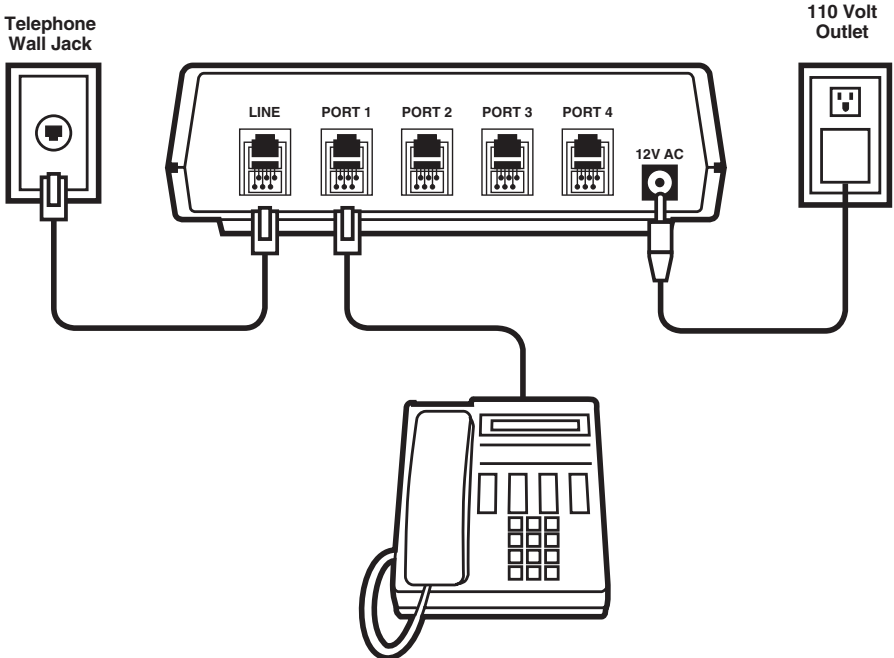


Figure 3-3. The Lineshare Pro Installed for a Single-Phone-Line/Single-Phone Arrangement.

3.3 Connecting Telephone Equipment to the Lineshare Pro

Figure 3-4 shows a complete installation for a single phone line/single phone arrangement. While the connections to the wall jack may be different for other types of phone systems, the connections to the Lineshare Pro remain the same for all phone configurations.

Figure 3-4 illustrates only one of many possible configurations. As shown, the Lineshare Pro is configured with a voice priority phone port with three auxiliary ports. You can also configure the Lineshare Pro as a four port secured switching system (see **Chapter 5** for more information).

NOTE

Do not place the Lineshare Pro on or in close proximity to peripheral equipment (approximately 2-3 feet away from other electronic equipment).

To connect telephone equipment as shown in **Figure 3-4** to the Lineshare Pro, follow these steps:

1. To connect a phone, TAD, or integrated phone/answering machine, plug one end of a phone cable into Port 1 on the back of the Lineshare Pro.
2. Plug the other end of the phone cable into the phone line jack of the phone, TAD, or integrated phone/answering machine. This jack may be labeled “Line” or “Telephone Line.”
3. To connect a telephone device such as a computer modem, plug one end of a phone cable into PORT 2 on the rear panel of the Lineshare Pro.
4. Plug the other end of the phone cable into the telephone device. Check the owner’s guide of the device for the proper connection. Repeat steps 3 and 4 for Port 3 and Port 4.

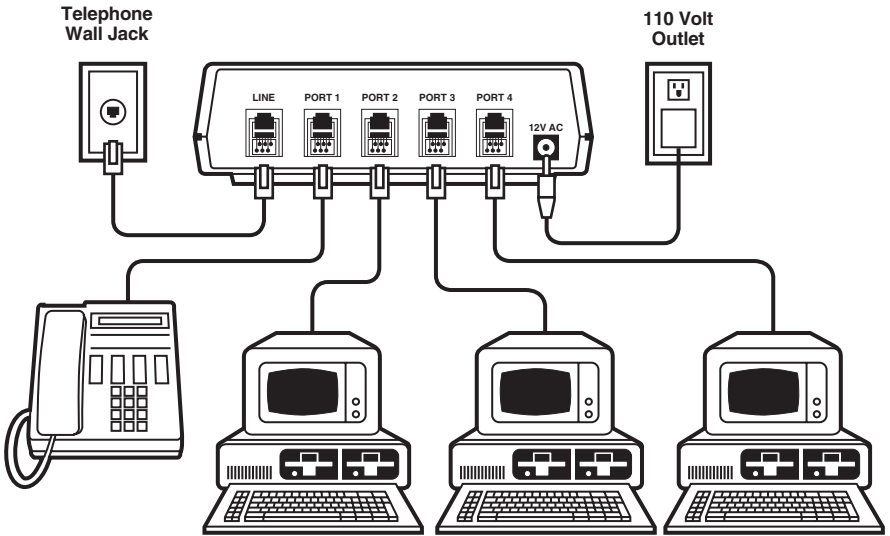


Figure 3-4. Telephone Equipment Connected to the Lineshare Pro in a Single-Phone-Line/Single-Phone Arrangement.

3.4 Installing the Lineshare Pro on a Single Phone Line with Multiple Single-Line Phones

You can install the Lineshare Pro in a phone configuration with multiple single-line phones by adding the Lineshare Pro on a single extension. If the Lineshare Pro is installed as an

extension, choose the extension where it will be located and follow the procedure provided in Section 3.2. Refer to Figure 3-5 to see how to install the Lineshare Pro as an extension. Refer to Figure 3-4 to see how to connect telephone equipment to the Lineshare Pro.

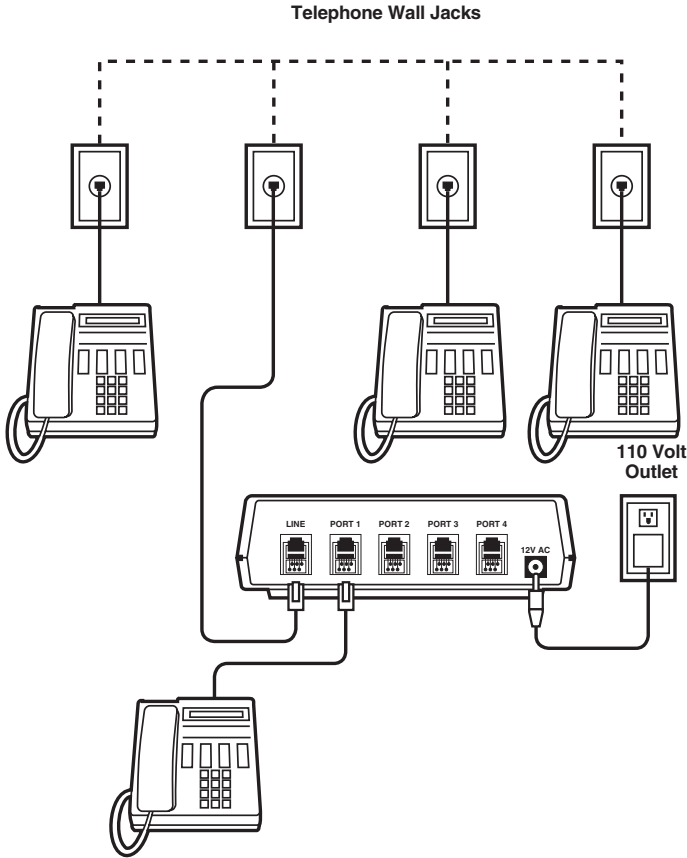


Figure 3-5. Lineshare Pro Installed on an Extension.

NOTE

To fully use this application, you must turn the Extension Detection feature ON (see Chapter 5 for more information).

You should also set the time that the Lineshare Pro waits for detection with the Extension Detection timer.

Telephones not directly connected to the Lineshare Pro ring only one time on an inbound telephone call. If your application requires that all extension phones ring continuously on an inbound telephone call, see Section 3.5.

3.5 Installing the Lineshare Pro on a Single Phone Line with Multiple Phones to Maintain Exclusion

When using a fax or modem connected to the Lineshare Pro, make sure the fax or modem connection is not interrupted during transmission. You can ensure uninterrupted transmission by configuring your phone system to maintain exclusion. Exclusion means that if the fax, modem, or other device is on the line transmitting or receiving information and a phone device on another port goes off-hook to make a call, the transmission is not interrupted. You hear a busy tone produced by the Lineshare Pro, indicating that the line is presently in use.

CAUTION

You should be familiar with telephone wiring to complete this installation. If you have any questions or are not confident that you can complete this installation procedure, contact technical support.

To maintain exclusion, the phone line must terminate at the Lineshare Pro, and all telephone equipment must connect through the back of the Lineshare Pro as shown in **Figure 3-4**.

For this procedure, you need the following equipment:

- a pair of wire snippers
- a regular screwdriver and a Phillips screwdriver
- two (2) RJ-11 wallmount jacks (part number FM012)
- two (2) phone cables
- a utility knife

To install the Lineshare Pro as shown in **Figure 3-6**, follow these steps:

1. Label one of the RJ-11 jacks “Number 1” and the other RJ-11 “Number 2.”

NOTE

The RJ-11 jacks have four (4) posts: The red post is marked [R], the green post is marked [G], the yellow post is marked [Y], and the black post is marked [B].

2. Locate the telephone line from the phone company after it enters the premises but before it routes to any phone jack.
3. With the utility knife, cut into the cable to expose the red, green, yellow, and black wires.

NOTE

If the color codes of the wires are not red, green, yellow, and black, call technical support for further instructions.

4. Cut the red and green wires and expose the copper wire, while leaving the yellow and black wires intact.

No phone in the location should have dial tone on this line.

5. Connect the cut wires from the phone company to jack “Number 1” by attaching the red wire to the red post and the green wire to the green post.

6. Connect the cut wires that feed all the phones in the location to jack “Number 2” by attaching the red wire to the red post and the green wire to the green post.
7. Plug one end of a phone cable into jack “Number 1.”
8. Plug the other end of the phone cable into the LINE port on the rear panel of the Lineshare Pro.
9. Plug one end of the second phone cable into PORT 1 on the rear panel of the Lineshare Pro.
10. Plug the other end of the phone cable into jack “Number 2.”
11. Connect the other telephone equipment as shown in **Figure 3-4**.

If the Lineshare Pro is not located near the other equipment, you may need to run additional telephone wiring to the equipment to complete this installation.

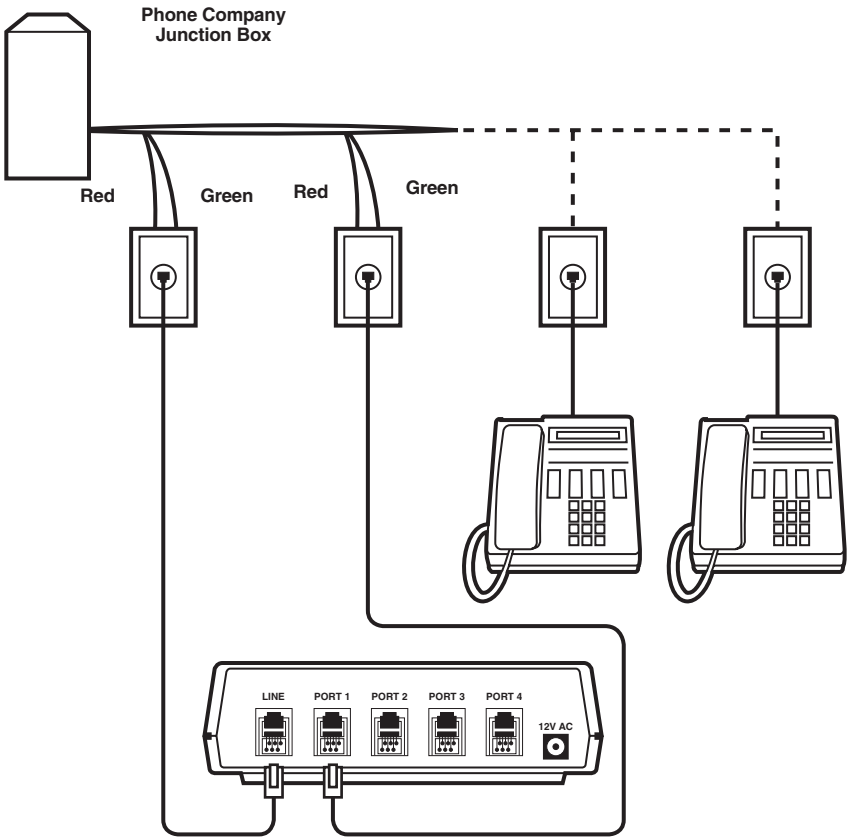


Figure 3-6. The Lineshare Pro Installed on a Single Line with Multiple Phones while Maintaining Exclusion.

3.6 Installing the Lineshare Pro on a KSU or PBX System

A KSU or PBX phone system is common in a medium or large office arrangement in which calls are coming in on two or more lines and can be routed to any number of extensions. A KSU or PBX typically has features like call holding, music on hold, conference calling, and intercom paging.

Figure 3-6 shows telephone devices connected to the Lineshare Pro for a KSU or PBX phone system. For the Lineshare Pro to operate properly, it must be “in front” of the KSU or PBX. In other words, the Lineshare Pro must connect directly to the incoming telephone line (the last line in rollover).

All equipment on the last line in rollover (KSU or PBX, fax, computer modem, and so on) must connect directly to the Lineshare Pro as shown in **Figure 3-4**.

CAUTION

You should be familiar with telephone wiring to complete this installation. If you have any questions or are not confident that you can complete this installation procedure, contact technical support.

Do not plug the Lineshare Pro into a KSU or PBX phone jack. You may damage your phone system.

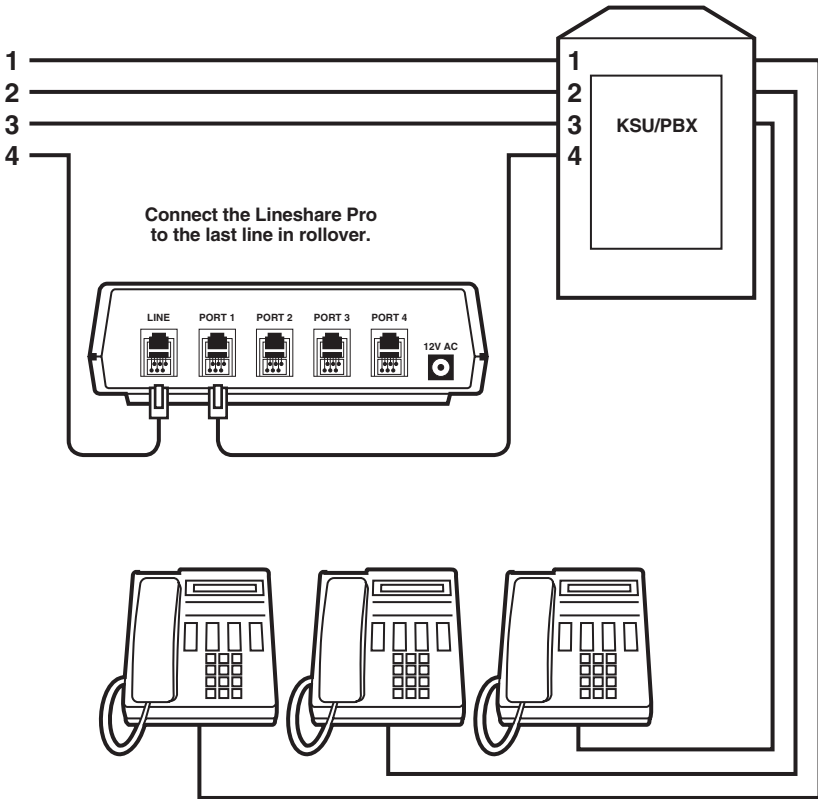


Figure 3-7. The Lineshare Pro Installed on a KSU or PBX Phone System.

4. Using the Lineshare Pro

4.1 Special Operating Notes

Before operating the Lineshare Pro, be sure that you understand the following information about the telephone equipment that is used with the Lineshare Pro (if you use a fax or fax modem card).

Fax CNG tones: Most fax machines send audible beep tones called CNG (CalliNG) tones. Once a fax machine has dialed the destination fax machine's number, it generates this tone while waiting for the receiving fax to answer. This tone is a distinct beep that repeats every three (3) seconds. Most fax machines produce this tone through their auto-dial feature, speed-dial memory position, or by the operator pressing the fax machine's start button after the number is dialed. However, not all fax machines transmit this signal when they place a call. For best results with automatic switching to a fax machine, callers should have your fax number programmed into their fax machine's speed-dial memory.

Computer modems: Unlike fax calls, inbound computer calls do not produce any tones; they remain silent until another modem answers the call.

The Lineshare Pro works best when calls from modem-type devices have the ability to identify themselves with an identifying tone.

One device that identifies a modem-type device with a single-frequency tone is called the Lineshare Master (FX155A). The Lineshare Master can produce eight different single-frequency tones that allow the Lineshare Pro to route calls to multiple modem-type devices connected to a single phone line.

4.2 Lineshare Pro Call Routing

When the Lineshare Pro answers a call, it listens for specific pre-programmed tones and automatically routes the call to the correct port. If a tone is not present, the call is routed to the first port in the Cascade Port Order (depending on your configuration). You can then answer the phone, decide the origin of the call, and route the call manually if necessary.

The Lineshare Pro has two basic modes of operation:

- In the *secured mode*, when a call comes in, the Lineshare Pro answers the call on the first ring and waits silently for a pre-specified routing tone. The Lineshare Pro will wait for the amount of time set in the Time at Home function. If the Lineshare Pro does not receive a routing tone before this time expires, the call is disconnected. If the Lineshare Pro receives a routing tone, the call is automatically routed to the correct port.
- In the *non-secured mode*, when a call comes in, the Lineshare Pro answers the call on the first ring, and then provides a ring-back tone to the caller. This tone is intended to make the routing process transparent to the caller.

After the Lineshare Pro answers the call, it listens for various routing tones or access codes. See **Sections 4.10** and **4.13** for more information.

If the Lineshare Pro does not detect a signal, it routes the call to the first port in the Cascade Port Order (primary default port). When the phones connected to that port ring, it means that the call is coming from one of the following (depending on your configuration):

- a person wanting to talk to you
- a person sending a fax manually
- a fax machine that does not produce CNG signals
- a person trying to access a port
- a modem device not using the proper access codes or protocol tones

If after six rings to the primary default port/Port 1 (four rings to Ports 2, 3, and 4), the call remains unanswered, the Lineshare Pro will automatically route the call to the next port in the Cascade Port Order. For any future calls, the Ring Reduction feature engages and the Lineshare Pro routes calls to the next port in the Cascade Port Order after the second ring.

You can reset the ring count for the Ring Reduction feature to six rings by performing any of the following steps:

- Lift the receiver of the phone device connected to the primary default port.
- Answer a call from any phone before the call is routed to another port.
- Place an outbound call from a phone connected to the primary default port of the Lineshare Pro.

(See **Section 5.4** for more information about the No Answer Cascade and Ring Reduction features.)

4.3 Answering Incoming Calls

Depending on your configuration, you can answer incoming calls from a phone device connected to the primary default port. You can then conduct the call normally, for as long as you like.

4.4 Answering Calls from Port 1

If, after answering a call, you hear silence on the line, the call is likely coming from a fax or modem that did not produce a routing tone. Simply transfer the call to Port 2, Port 3, or Port 4 by entering the appropriate access code. (The Inbound Tone Transfer Feature must be turned on for this transfer to function.)

- From a tone phone, enter 22 for Port 2, 33 for Port 3, or 44 for Port 4 (if you answer a call from another port, you can press 11 for Port 1).
- From a pulse dialing phone, dial 3 for Port 2, 4 for Port 3, and 5 for Port 4.

If a caller verbally requests a device connected to a port, you can route the call by entering the appropriate access code.

NOTE

The tone access codes used in these examples are factory-preset. They may be changed according to your needs. See Section 5.4 for instructions.

4.5 Answering Calls with a TAD

If your TAD answers a call from PORT 1, the caller can perform one or both of the following tasks:

- record a voice message on the TAD
- transfer their call to Port 2, Port 3, or Port 4

We recommend that you use your TAD announcement message to provide callers with instructions for transferring their calls. Following is a sample announcement message that you may want to use:

“Hello, this is _____. If you want to send a fax, press # 2 2 on your tone phone, or leave a message at the tone.”

(In this application, your fax should be connected to Port 2.)

You can also announce the tone access code for Port 3 or Port 4 (# 3 3 or # 4 4) if you want to allow open access to these ports. (The Inbound Tone Transfer Feature must be turned on for this transfer to function.)

To accommodate pulse-dialing faxes, or faxes that do not produce CNG tones, turn the Answer/Disconnect Cascade feature ON for the port where your TAD is connected (primary default port) to transfer calls to the port where your fax is connected.

NOTE

Port selection for the Answer/Disconnect Cascade feature can be set to any port. The factory default setting is OFF for any device disconnecting from a call. To change the default setting, see Answer/Disconnect Cascade in Section 5.4.

4.6 Retrieving TAD Messages from a Remote Location

To disable the Lineshare Pro and retrieve your TAD messages, follow these steps:

- Dial your phone number and wait for the Lineshare Pro to answer the call.
- After the Lineshare Pro has answered the call, but before your TAD answers, press the * key on your tone phone between ring signals.
- When your TAD answers, follow the remote retrieval procedures for your TAD.
- After retrieving your messages, hang up. The Lineshare Pro resets for the next call.

4.7 Placing an Outbound Call

You can place an outbound call from any port, unless another port is in use. If another port is in use, you will hear a busy tone. If the line is clear when the calling device goes off-hook, you receive a dial tone and can place the call normally.

NOTE

If you place a call from an extension phone that is not directly connected to the Lineshare Pro, you may interrupt a data transmission in progress on one of the ports. If this happens, simply hang up the extension phone and wait for the line to clear.

During an outbound call, you can also receive a data or fax transmission from someone that is ready to transmit. To route this transmission from a tone phone to a specific port, press # 11 for Port 1, # 22 for Port 2, # 33 for Port 3, or # 44 for Port 4. To use this feature, you must first turn Outbound Tone Transfer ON. (See **Section 5.4** for more information.)

4.8 Emergency Call Override

NOTE

This feature works in conjunction with the three-way calling service provided by the phone company. Three-way calling must be installed and in service on the phone line connected to the Lineshare Pro in order to interrupt a call and place an outbound emergency call.

When the Lineshare Pro is on line with a fax or data call through Port 2, Port 3, or Port 4, this feature allows a device connected to PORT 1 to disable the call. This feature is factory-preset OFF and must be turned ON in order to function.

When set to ON, this feature has two modes of operation as follows:

- In the *Automatic mode* of operation, the Lineshare Pro will interrupt a call already in process on Port 2, Port 3, or Port 4 if a phone device goes off-hook in PORT 1. When you take your phone off-hook for an emergency call, you will hear a four-second busy signal, a click, and then dial tone. Once you hear dial tone, you can dial your emergency number. If you do not receive dial tone after about five seconds, repeat the procedure.
- In the *Manual mode* of operation, the Lineshare Pro will interrupt a call already in process on Port 2, Port 3, or Port 4 if a phone device goes off-hook in PORT 1 and the * key is pressed. When you take your phone off-hook for an emergency call, you will hear a busy signal. If you want access to the line, press the * key. You then hear a click and dial tone. Once you hear dial tone, you can dial your emergency number. If you do not receive dial tone after about three seconds, hang up the phone and repeat the procedure.

To change the setting of this feature, see **Section 5.4**.

4.9 Sending a Fax or Modem Transmission

To send a fax or modem transmission, you must either dial from the phone connected to the fax machine or modem, or use the auto-dial feature of the device you are using. (Refer to your fax machine or modem Operator's Guide for instructions.)

NOTE

You cannot use a phone connected to a fax machine or computer modem connected to another port to answer a call ringing on Port 1. To answer a call ringing on Port 1, see Section 4.3.

4.10 Receiving a Computer Call to a Port

Unlike a fax call, inbound computer calls do not produce any tones; they remain silent until another modem answers the call. The ports of the Lineshare Pro are secured depending on your configuration. There are two ways to access a port from a remote location:

1. Use tones from a tone-type phone or other device that produces tones (for instance, a modem).
2. Use a device as previously described that produces single-frequency tones. To receive a computer call to a port, instruct the caller to use one of the following methods. (This example uses a modem.)

NOTE

The ports become **UNSECURED** when the **Answer/Disconnect Cascade** and **No Answer Cascade** features are set to transfer calls to a port.

4.11 Dialing the Port Access Code from an Extension Phone

Instruct the caller to attach a "T" or "Y" adapter to the wall jack where the modem's phone line connects. Have the caller plug the modem into one side of the "T" or "Y" adapter, and plug a standard tone phone in the other side of the adapter. When the caller instructs the modem to call your modem, he or she must lift the phone's receiver off-hook after the modem dials the number. (The caller may dial your phone number manually.)

Next, the caller listens for the Lineshare Pro to answer and enters the port access code between ring signals.

- The Port 1 access code is factory-preset to # 11.
- The Port 2 access code is factory-preset to # 22.
- The Port 3 access code is factory-preset to # 33.
- The Port 4 access code is factory-preset to # 44.

When the modem answers, the caller begins the transmission and hangs up the phone.

4.12 Dialing the Destination Computer through the Calling Computer

To have the calling modem automatically “over dial” a port access code and access the modem connected to the Lineshare Pro, the caller must take into consideration whether the call is local or long distance.

For local remote access to PORT 1 (modem or fax/modem) on the Lineshare Pro, instruct the caller to use the following dialing string in the modem’s software:

```
ATDT (phone  
number),#11,#11,#11,#11
```

For local remote access to PORT 2 on the Lineshare Pro, instruct the caller to use the following dialing string in the modem’s software:

```
ATDT (phone  
number),#22,#22,#22,#22
```

The calling modem picks up its phone line and dials the phone number. Each comma (,) tells the modem to wait about two seconds and then over-dial the access code (# 11 or # 22). When the Lineshare Pro answers, it detects the tones and routes the call automatically to the correct port.

NOTE

The comma (,) command does not always delay dialing for a two-second interval. See your modem’s operator’s guide.

For long-distance remote access to Port 1 (modem or fax/modem) on the Lineshare Pro, instruct the caller to use the following dialing string in the modem’s software:

```
ATDT 1(phone  
number),,,#11,#11,#11,#11
```

For long distance remote access to PORT 2 on the Lineshare Pro, instruct the caller to use the following dialing string in the modem’s software:

```
ATDT 1(phone  
number),,,#22,#22,#22,#22
```

The calling modem picks up its phone line and dials the phone number. Each comma (,) tells the modem to wait about two seconds and then over-dial the access code (# 11 or # 22). When the Lineshare Pro answers, it detects the tones and routes the call automatically to the correct port.

Pulse-dialing systems should use the following dialing string for a call to PORT 2:

ATDP (phone number) T
 ,#22,#22,#22,#22

Again, you should consider whether the call is local or long distance, and what the appropriate access code is for the desired port.

NOTE

If a port access code is changed to a number using various digits (for example, 4598), the caller will use a similar dialing string with # between access codes. Example: ATDT (phone number), #4598,#4598, #4598

4.13 Using Single-Frequency Tone Detection

When the Lineshare Pro answers a call, it listens for specific pre-programmed tones and automatically routes the call to the correct port. If a tone is not present, the call is routed to the primary default port.

The Lineshare Pro listens for the following single-frequency tones:

- 1000hz
- 1100hz (typically fax CNG tone)
- 1200hz
- 1300hz
- 1400hz
- 1500hz
- 1600hz
- 2225hz (typically reverse modem tone)

The Lineshare Pro is factory-preset to route calls as follows:

- Port 1—1000hz
- Port 2—1600hz
- Port 3—1100hz
- Port 4—2225hz

NOTE

You must turn Protocol Tone Access Signal Detection ON to route calls to Port 1 and Port 2 using this application. Port 3 and Port 4 are factory-preset ON. See Section 5.5 for more information.

To have the calling party automatically route calls to a port connected to the Lineshare Pro, the caller must use a device that can produce the single-frequency tones.

One device that identifies a modem-type device with a single-frequency tone is called the Lineshare Master (FX155A). The Lineshare Master can produce eight different single-frequency tones that allow the Lineshare Pro to route calls to multiple modem-type devices connected to a single phone line.

When the Lineshare Pro answers a call and detects a single-frequency tone, the call is automatically routed to the correct port.

5. Using the Lineshare Pro's Custom Features and Functions

The Lineshare Pro includes many options that enable you to customize its operation to meet specific application needs. The Lineshare Pro's features and functions are factory-preset, and it is unlikely that you will need to make many changes. However, if necessary, you can alter any program using a tone-type phone connected to Port 1. The Lineshare Pro cannot be programmed with a rotary or pulse-dialing phone.

NOTE

Before attempting to program any feature, we recommend that you first thoroughly read the programming procedures. Then read Sections 5.4 and 5.5 to decide if you want to make changes.

To change the Lineshare Pro's features and functions, we recommend the following steps:

1. Using **Tables 5-1** and **5-2**, write down the sequence of changes.
2. Enter the programming mode.
3. Change the features or functions.

The following sections explain how to enter the programming mode and change the features and functions.

5.1 Entering the Programming Mode

To enter the programming mode, perform the following steps:

1. Connect the telephone line from the phone company to the LINE port on the Lineshare Pro.
2. Pick up the receiver of the phone connected to Port 1. You should hear dial tone.
3. Within five seconds, press and release # * on the telephone keypad.

Make sure that the Port 1 green ON indicator (LED) on the front of the unit lights steadily. If this green LED lights steadily, the Lineshare Pro has successfully entered the programming mode. Once in the programming mode, the Lineshare Pro internally disables the phone-line connection, and you hear a buzzing sound on the phone receiver.

If the Lineshare Pro does not enter the programming mode (the green LED continues flashing), try again with a different phone.

When you are in the programming mode and entering changes, the Lineshare Pro notifies you of correct or incorrect entries with the following signals:

- Three short beeps: Indicates that the entry is valid, and the Lineshare Pro has accepted the change.
- Single low beep: Indicates that the entry is invalid, or out of normal operating range, and the Lineshare Pro did not accept the change. Re-enter the command string with a valid entry.

NOTE

All programming commands end with a * key.

5.2 Lineshare Pro Features

Tables 5-1 and 5-2 list the Lineshare Pro's capabilities, factory settings, and available options. The sections that follow **Tables 5-1 and 5-2** explain the features and functions in detail and provide guidelines for changing the program settings.

Enter the programming mode by pressing #*.

Press 0 in front of a feature number to turn the feature OFF.

Press 1 in front of a feature number to turn the feature ON.

Exit the programming mode by pressing **.

Table 5-1. Lineshare Pro Custom Features.

Feature Number	Feature	Factory Setting	Options Available
0	Extension Detection	0	0 OFF/1 ON
1	Home Routing	0	0 OFF/1 ON
2	Secured Operation	0	0 OFF/1 ON
NOTE: Turning the secured operation feature ON affects the operation of other features.			
3	No Answer Cascade	1	0 OFF/1 ON
4	Answer/Disconnect Cascade	0	0 OFF/1 ON
5	Pulse Transfer	1	0 OFF/1 ON
6	Open Line Notification	0	0 OFF/1 ON
7	Inbound Tone Transfer	0	0 OFF/1 ON
8	Ring Reduction	1	0 OFF/1 ON
9	Outbound Tone Transfer	0	0 OFF/1 ON

5.3 Lineshare Pro Functions

Enter the programming mode by pressing #*.

Change function settings by entering the function number, followed by a valid entry from the options available column.

Exit the programming mode by pressing **.

Table 5-2. Lineshare Pro Custom Functions.

Function Number	Function	Factory Setting	Options Available
2 1	Protocol Tone Access Signal Detection	0 0 1 1	0 OFF/1 ON for each port
2 2	Dual Tone Detection	1 1 1 1	0 OFF/1 ON for each port
2 3	Protocol Tone Access Signal Assignment	0 6 1 9	Any protocol tone 0-6 or 9, see Table 5-3
3	Cascade Port Order	1 2 3 4	Any order
4	Phantom Ring Style	1	1 to 7
5	Emergency Call Override	0	0 OFF 1 ON—automatic 2 ON—manual
6	Dual Tone Assignments	See Description	Any 1 to 4 digits for each port
7 5	Time at Home	3 0	1 to 6 0

Table 5-2 (continued). Lineshare Pro Custom Functions.

Function Number	Function	Factory Setting	Options Available
7 6	Extension Detection to Timer	1.5	1 to 3 0
8	Rings Available to the Ports	See Description	0 to 99 for each port
8 5	Rings to Answer Call	1	0 to 9 9
9 9 9	Reset to Factory Settings		default values

The following sections contain specific information about each feature and function and how to change the setting.

5.4 Changing ON/OFF features

Earlier in this chapter, **Table 5-1** listed the features that can be turned ON or OFF individually, or simultaneously with other features during a single programming session. The features are numbered [0] through [9]. In this section, you will find a description of each feature and instructions for turning the feature ON or OFF.

To turn a feature ON or OFF, use the following steps:

1. Press # * from a tone phone connected to Port 1 to enter the programming mode.
2. Turn the feature ON by pressing 1 followed by the feature number. Turn the feature OFF by pressing 0 followed by the feature number.
3. Press * to end the programming sequence.
4. Continue performing steps 2 and 3 until all the desired features have been changed.

NOTE

You have 5 seconds between each tone entry to enter another command. If you do not enter a command within 5 seconds, the Lineshare Pro exits the programming mode without saving the changes.

5. When you are finished making changes, press the * key again to save the changes and exit the programming mode.

Example. To turn Home Routing ON, enter the programming mode and press 1 1 *. Press * again to save the changes, and exit the programming mode. To turn Home Routing OFF, enter the programming mode and press 0 1 *. Press * again to save the changes, and exit the programming mode.

[0] Extension Detection

Extension Detection operates only when the Lineshare Pro is configured in the non-secured mode, and when an inbound telephone call is ringing PORT 1 (or the primary default port).

This feature allows the Lineshare Pro to detect when an extension phone not directly connected to the Lineshare Pro answers a call that is actively ringing the primary default port. When the Lineshare Pro detects that the extension phone has gone off-hook, it releases the call to the extension phone and stops ringing the primary default port.

The Extension Detection feature is

factory-preset OFF, 0 0 *. To turn the Extension Detection feature ON, enter the programming mode and press the following on your tone phone:

1 Turn ON

0 Extension Detection

* End programming sequence (3 beeps indicate correct entry)

(Optional entries for additional changes)

* Save changes and exit programming

[1] Home Routing

Home Routing operates only when the Lineshare Pro is configured in the secured mode.

This feature enables the Lineshare Pro to hold the phone line after a device disconnects from a call and then route it to another port, or “home.” Home is a temporary state where the caller must enter an access code, or a single-frequency protocol tone, to access another port.

When a call is rerouted home, the amount of time that the caller has to select another port is limited by the Time at Home function. If the caller does not enter a tone to access another port during this time, the Lineshare Pro disconnects the call.

The Home Routing feature is factory-preset OFF, 0 1 *.

Turn this feature ON if you want to allow access of multiple ports during a single call in the secured mode.

To turn Home Routing ON, enter the programming mode and press the following on your tone phone:

1 Turn ON

1 Home Routing

* End programming sequence (3 beeps indicate correct entry)

(Optional entries for additional changes)

* Save changes and exit programming

[2] Secured Operation

When the Lineshare Pro is in the secured mode, the following features are affected regardless of their programming defaults or current settings:

0 Extension Detection is OFF.

3 No Answer Cascade is OFF.

4 Answer/Disconnect Cascade is OFF.

5 Pulse Transfer is OFF.

6 Open Line Notification is OFF.

7 Inbound Tone Transfer is OFF.

8 Ring Reduction is OFF.

9 Outbound Tone Transfer is OFF.

(For more information about the secured mode, see **Section 4.2**)

The Secured Operation feature is factory-preset OFF, 0 2 *. Turn this feature ON if you want to limit access to the Lineshare Pro ports.

To turn Secured Operation ON, enter the programming mode and press the following on your tone phone:

1 Turn ON

2 Secured Operation

* End programming sequence (3 beeps indicate correct entry)

(Optional entries for additional changes)

* Save changes and exit programming

[3] *No Answer Cascade*

No Answer Cascade operates only when the Lineshare Pro is configured in the non-secured mode.

If an incoming call remains unanswered (on the primary default port) after the Rings Available count expires, the No Answer Cascade feature will automatically route the call to the next port in the Cascade Port Order. This feature can be used for any port. If the last port in the Cascade Port Order does not answer the call, the Lineshare Pro disconnects the call.

The No Answer Cascade feature is factory-preset ON, 1 3 *.

To turn No Answer Cascade OFF, enter the programming mode and press the following on your tone phone:

0 Turn OFF

3 No Answer Cascade

* End programming sequence (3 beeps indicate correct entry)

(Optional entries for additional changes)

* Save changes and exit programming

NOTE

See Cascade Port Order in Section 5.5 for more information.

[4] *Answer/Disconnect Cascade*

Answer/Disconnect Cascade operates only when the Lineshare Pro is configured in the non-secured mode.

If an incoming call is answered from any port and disconnected, the Answer/Disconnect Cascade feature will automatically route the call to the next port in the Cascade Port Order. This feature can be used for all four ports. After the last port in the Cascade Port Order answers a call, the Lineshare Pro disconnects the phone line.

The Answer/Disconnect Cascade feature is factory preset OFF, 0 4 *.

To turn the Answer/Disconnect Cascade ON, enter the programming mode and press the following on your tone phone:

- 1 Turn ON
- 4 Answer/Disconnect Cascade
- * End programming sequence (3 beeps indicate correct entry)
- (Optional entries for additional changes)
- * Save changes and exit programming

NOTE

See Cascade Port Order in Section 5.5 for more information.

[5] Pulse Transfer

Pulse Transfer operates only when the Lineshare Pro is configured in the non-secured mode.

The Pulse Transfer feature allows rotary or pulse-dialing phones that are connected to the primary default port of the Lineshare Pro to transfer calls to other ports. (See **Section 3.5**)

The Pulse Transfer codes for the ports are as follows:

- PORT 1 - dial 2
- PORT 2 - dial 3
- PORT 3 - dial 4
- PORT 4 - dial 5

The Pulse Transfer is factory preset ON, 1 5 *.

To turn the Pulse Transfer feature OFF, enter the programming mode and press the following on your tone phone:

- 0 Turn OFF
- 5 Pulse Transfer
- * End programming sequence (3 beeps indicate correct entry)
- (Optional entries for additional changes)
- * Save changes and exit programming

[6] Open Line Notification (OLN)

Open Line Notification operates only when the Lineshare Pro is configured in the non-secured mode.

When ON, this feature is typically used when all the phones are wired directly to the primary default port of the Lineshare Pro. If you pick up a phone connected to the primary default port, and hear a busy tone indicating that a device on another port is on the line, simply hang up the phone. After the other device releases the line, OLN signals the phone devices connected to the primary default port with a short ring. You now have an open telephone line to make a call.

The OLN feature is factory-preset OFF, 0 6 *. To turn the OLN feature ON, enter the programming mode and press the following on your tone phone:

1 Turn ON

6 Open Line Notification

* End programming sequence (3 beeps indicate correct entry)

(Optional entries for additional changes)

* Save changes and exit programming

[7] *Inbound Tone Transfer*

Inbound Tone Transfer operates only when the Lineshare Pro is configured in the non-secured mode.

This feature enables you to manually transfer an inbound call from the primary default port to another port using your tone-type phone. (The setting of this feature does not affect an inbound computer call using access codes.)

The Inbound Tone Transfer is factory preset OFF, 0 7 *. To turn the Inbound Tone Transfer ON, enter the programming mode and press the following on your tone phone:

1 Turn ON

7 Inbound Tone Transfer

* End programming sequence (3 beeps indicate correct entry)

(Optional entries for additional changes)

* Save changes and exit programming

[8] *Ring Reduction*

Ring Reduction is designed mainly to accommodate auto-dial faxes that do not produce CNG tones.

During unattended hours, if your phones aren't answered by the sixth ring (primary default port ring count), the Lineshare Pro automatically reduces the number of rings available to the primary default port to two. The next time a call is answered and routed to the primary default port, the Lineshare Pro will only ring the primary default port two times and then route the call to the next port in the Cascade Port Order.

If you do not want the Ring Reduction feature to reduce the ring count on the primary default port, you can turn the feature OFF.

The feature is factory-preset ON, 1 8 *. To turn the Automatic Ring Reduction feature OFF, enter the programming mode and press the following on your tone phone:

0 Turn OFF

8 Automatic Ring Reduction

* End programming sequence (3 beeps indicate correct entry)

(Optional entries for additional changes)

* Save changes and exit programming

[9] Outbound Tone Transfer

Outbound Tone Transfer operates only when the Lineshare Pro is configured in the non-secured mode.

This feature enables you to manually transfer an outbound call from the primary default port to another port using your tone-type phone.

The Outbound Tone Transfer is factory preset OFF, 0 9 *.

To turn the Outbound Tone Transfer ON, enter the programming mode and press the following on your tone phone:

1 Turn ON

9 Outbound Tone Transfer

* End programming sequence (3 beeps indicate correct entry)

(Optional entries for additional changes)

* Save changes and exit programming

5.5 Changing Function Options

Earlier in this chapter, **Table 5-2** listed the functions that can be altered to customize the operation of the Lineshare Pro.

The functions are [2] [1] through [9] [9] [9]. In this section you will find a description of each function and instructions for customizing the function.

[2] [1] Protocol Tone Access Signal Detection

Protocol Tone Access Signal Detection allows you to turn ON or OFF each port's ability to detect single-frequency routing tones. Setting the options for this function can be performed in two ways:

- Setting an individual port ON or OFF.
- Setting all ports ON or OFF in one programming sequence.

The Protocol Tone Access Signal Detection is factory-preset as follows (the first number is the corresponding port number; the second number is 0 for OFF, or 1 for ON):

1 0 * (Port 1 = OFF)

2 0 * (Port 2 = OFF)

3 1 * (Port 3 = ON)

4 1 * (Port 4 = ON)

To change one port to detect single-frequency tones, enter the programming mode and press the following on your tone phone:

2 1 Protocol Tone Access Signal Detection

The desired port selection (1-4)

1 Turn ON

* End programming sequence (3 beeps indicate correct entry)

(Optional entries for additional changes)

* Save changes and exit programming

To change all ports to detect single frequency tones, enter the programming mode and press the following on your tone phone:

2 1 Protocol Tone Access Signal Detection

0 Select all ports 1 through 4

1 1 1 1 All ports ON

* End programming sequence (3 beeps indicate correct entry)

(Optional entries for additional changes)

* Save changes and exit programming

[2] [2] Dual Tone Detection

Dual Tone Detection allows you to turn ON or OFF each port's ability to detect dual tones (access codes). Setting the options for this function can be performed in two ways.

- Setting an individual port ON or OFF.

- Setting all ports ON or OFF in one programming sequence.

NOTE

Settings in this function do not affect the settings in the Dual Tone Assignments function.

Dual Tone Detection is factory-preset as follows (the first number is the corresponding port number; the second number is 0 for OFF, or 1 for ON):

- 1 1 * (Port 1 = ON)
- 2 1 * (Port 2 = ON)
- 3 1 * (Port 3 = ON)
- 4 1 * (Port 4 = ON)

To change one port to ignore dual tones, enter the programming mode and press the following on your tone phone:

- 2 2 Dual Tone Detection
 - The desired port selection (1-4)
- 0 Turn OFF
 - * End programming sequence (3 beeps indicate correct entry)
 - (Optional entries for additional changes)
 - * Save changes and exit programming

To change all ports to ignore dual tones, enter the programming mode and press the following on your tone phone:

- 2 2 Dual Tone Detection
 - 0 Select all ports 1 through 4
 - 0 0 0 0 All ports OFF
 - * End programming sequence (3 beeps indicate correct entry)
 - (Optional entries for additional changes)
 - * Save changes and exit programming

[2] [3] Protocol Tone Access Signal Assignment

Protocol Tone Access Signal Assignment allows you to define the protocol tone access signal for each of the ports. You can enter a protocol tone access signal of 0-6 or 9 (see **Table 5-3** for information).

Table 5-3. Protocol Tone Access Signal Options.

Keypad #	Protocol Tone Access Signal
0	1000 Hz
1	1100 Hz (typically fax CNG tone)
2	1200 Hz
3	1300 Hz
4	1400 Hz
5	1500 Hz
6	1600 Hz
9	2225 Hz (typically reverse modem tone)

The Protocol Tone Access Signal is factory-preset to 0 6 1 9 *. Protocol tone 0 will access Port 1, protocol tone 6 will access Port 2, protocol tone 1 will access Port 3, and protocol tone 9 will access Port 4.

To change Protocol Tone 4 to access a port, enter the programming mode and press the following on your tone phone:

- 2 3 Protocol Tone Access Signal
- The desired port selection (1-4)
- 4 The desired new Protocol Tone Access Signal
- * End programming sequence (3 beeps indicate correct entry)
- (Optional entries for additional changes)
- * Save changes and exit programming

To select different protocol tones for all ports, press the following on your tone phone:

2 3 Protocol Tone Access Signal

0 Select all ports 1 through 4

The desired new protocol tones

* End programming sequence (3 beeps indicate correct entry)

(Optional entries for additional changes)

* Save changes and exit programming

NOTE

You must enter all four digits to associate a tone to each port. If you enter only one or two numbers, the Lineshare Pro will produce an error tone.

Do not assign a single protocol tone to more than one port. If you inadvertently assign a protocol tone to more than one port, the Lineshare Pro will produce an error tone.

[3] Cascade Port Order

Cascade Port Order operates only when the Lineshare Pro is configured in the non-secured mode.

This function sets the assigned order for the No Answer Cascade and Answer/Disconnect Cascade features.

The sequence of the Cascade Port Order can be set to default to any of the Lineshare Pro ports. The Cascade Port Order is factory-preset to 1 2 3 4 *.

To change the Cascade Port Order to reverse its default order (4 3 2 1), enter the programming mode and press the following on your tone phone:

3 Cascade Port Order

4 3 2 1 The desired new cascade order

* End programming sequence (3 beeps indicate correct entry)

(Optional entries for additional changes)

* Save changes and exit programming

NOTE

You can enter one, two, three, or all four port numbers in this function. The Lineshare Pro will release a call after it reaches the last port in this sequence.

[4] Phantom Ring Style

When the Lineshare Pro answers a call, it produces a “phantom” ring signal. This tone is intended to make the switching process transparent to the caller. The Lineshare Pro has seven (7) different phantom ring types to choose from, allowing you to select a ring style similar to your local phone company’s ring signal.

The following ring types are available:

- 1 U.S. style 1: 2-second ring, 4-second silence, dual tones
- 2 Belgium style: 1-second ring, 3-second silence
- 3 European style: 0.4-second ring, 0.2-second silence
- 4 Special style: 1-second ring, 5-second silence
- 5 U.K. style: 1.5-second ring, 1.5-second silence
- 6 U.S. style 2: 2-second ring, 4-second silence, single-frequency low tone

7 U.S. style 3: 2-second ring, 4-second silence, single-frequency high tone

The factory-preset Phantom Ring Style is U.S. style 1, 4 1 *.

To change the Phantom Ring Style, enter the programming mode and press the following on your tone phone:

4 Phantom Ring Style

The desired ring style

* End programming sequence (3 beeps indicate correct entry)

(Optional entries for additional changes)

* Save changes and exit programming

[5] Emergency Call Override

Emergency Call Override allows you to interrupt a call that is in process on either Port 2, Port 3, or Port 4.

The Emergency Call Override feature is factory-preset OFF, 5 0 *, and will not allow interruption of calls. When ON, this feature has two modes of operation as follows:

- 1 Automatic
- 2 Manual

To turn Emergency Call Override ON (automatic mode), enter the programming mode and press the following on your tone phone:

- 5 Emergency Call Override
- 1 Automatic
- * End programming sequence (3 beeps indicate correct entry)
- (Optional entries for additional changes)
- * Save changes and exit programming

[6] Dual Tone Assignments

The Dual Tone Assignments function allows you to define the port access code to each of the Lineshare Pro ports. When you or a caller enter this code on the keypad of a tone phone, the Lineshare Pro transfers the call to the selected port. You can enter up to a four-digit code in this position for each of the ports.

The Dual Tone Assignments are factory-preset as follows:

- Port 1 1 1
- Port 2 2 2
- Port 3 3 3
- Port 4 4 4

NOTE

You can set only one port's assignment per programming sequence.

To select a new Dual Tone Assignment for a port, press the following on your tone phone:

- 6 Dual Tone Assignments
- The desired port selection (1-4)
- The desired new access code
- * End programming sequence (3 beeps indicate correct entry)
- (Optional entries for additional changes)
- * Save changes and exit programming

NOTE

Do not program similar, or identical access codes into PORT 1, PORT 2, PORT 3, or PORT 4 Dual Tone Assignments (example: PORT 1 = 123, PORT 2 = 1234). Similar or identical codes may interfere with proper operation.

[7][5] Time at Home

The Time at Home function controls the amount of time that the Lineshare Pro holds the phone line open and listens for a routing command. It is activated when the Lineshare Pro is in the secured mode, or when Home Routing is turned ON and a call is routed home. When the Time at Home period expires, the Lineshare Pro disconnects the call without rerouting to another port.

NOTE

You must turn ON the Home Routing feature in order for this function to activate, even in the secured mode.

The Time at Home is factory-preset, 30 *, which allows 30 seconds for a routing command to be entered. The range of this function can be set between 1 to 60 seconds.

To change the Time at Home to 40 seconds, enter the programming mode and press the following on your tone phone:

7 5 Time at Home

4 0 Set time to 40 seconds

* End programming sequence
(3 beeps indicate correct entry)

(Optional entries for additional changes)

* Save changes and exit programming

[7][6] Extension Detection Timer

The Extension Detection Timer operates only when the Lineshare Pro is configured in the non-secured mode.

This function controls the amount of time that the Lineshare Pro allows an extension phone (not connected to one its ports) to answer an incoming call that is ringing the primary default port.

The Extension Detection Timer is factory preset, 15 *, which allows 15 seconds for a routing command to be entered. The timer can be set for from 1 to 30 seconds.

To change the Extension Detection Timer to 25 seconds, enter the programming mode and press the following on your tone phone:

7 6 Extension Detection Timer

2 5 Set time to 25 seconds

* End programming sequence (3 beeps indicate correct entry)

(Optional entries for additional changes)

* Save changes and exit programming

[8] Rings Available to the Ports

The Rings Available to the Ports feature allows you to define the number of rings available to each port. The number of rings available to the ports range from 0 to 99 rings. The Rings Available to the Ports are factory-preset as follows:

- Port 1 6 rings
- Port 2 4 rings
- Port 3 4 rings
- Port 4 4 rings

To change the Rings Available to a port to 20 rings, enter the programming mode and press the following on your tone phone:

8 Rings Available to the FAX/MODEM Port

The selected port

2 0 The desired new number of rings

* End programming sequence (3 beeps indicate correct entry)

(Optional entries for additional changes)

* Save changes and exit programming

[8] [5] Rings to Answer Call

The Rings to Answer Call feature determines the number of rings received for a incoming phone call before the Lineshare Pro answers. The factory setting is one ring, to permit the Lineshare Pro to answer and transfer calls as quickly as possible.

Under normal circumstances, it is not necessary to change this setting. However, if you have the phone company's "Caller ID" service, you must set the Rings to Answer Call to two rings.

This function has a range of 0 to 99 rings to answer a call. The Rings to Answer Call is factory-preset to one ring, 8 5 1 *.

To change the Rings to Answer Call to two rings, enter the programming mode and press the following on your tone phone:

8 5 Rings to Answer Call

2 The desired new number of rings

* End programming sequence (3 beeps indicate correct entry)

(Optional entries for additional changes)

* Save changes and exit programming

[9] [9] [9] Reset to Factory Settings

To reset all features to their original factory settings, enter the programming mode and press the following on your tone phone:

9 9 9 Reset to Factory Settings

* End programming sequence (3 beeps indicate correct entry)

(Optional entries for additional changes)

* Save changes and exit programming



© Copyright 1996. Black Box Corporation. All rights reserved.

1000 Park Drive • Lawrence, PA 15055-1018 • 724-746-5500 • Fax 724-746-0746