

Four-Channel RS-232 to TTL/CMOS Converter

Product Code IC1157A



Description

This unit converts RS-232 to TTL/CMOS compatible levels. Two channels are used to convert from RS-232 to 0 to +5 VDC signals and two channels are used to convert from 0 to +5 VDC signals to RS-232. This converter supports TD, RD, RTS, and CTS. The DB9S female connector is for the RS-232 side. The DB9P male connector is for the TTL/CMOS side. This unit is powered from the RS-232 data and handshake lines whether the lines are high or low.

Pins used are:

DB9S Female RS-232		DB9P Male TTL/CMOS	
<u>Pin</u>	<u>Function</u>	<u>Pin</u>	
3 (input)	TD	3	(output)
2 (output)	RD	2	(input)
7 (input)	RTS	7	(output)
8 (output)	CTS	8	(input)

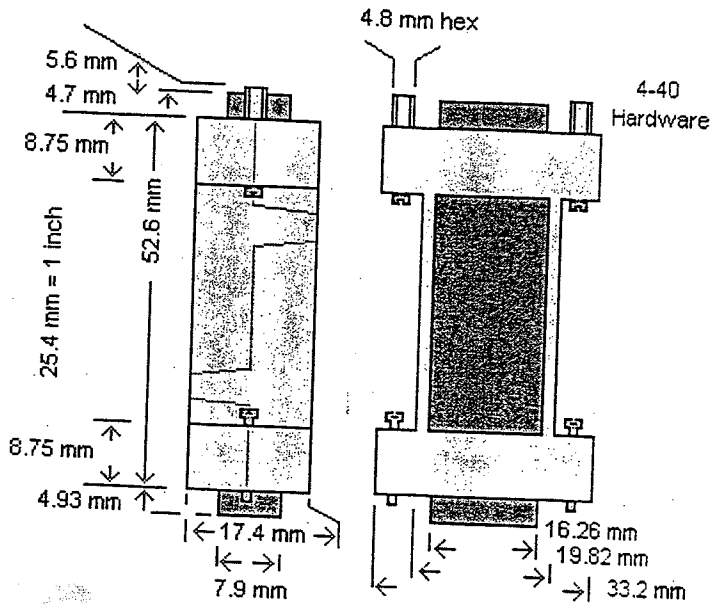
Pin 5 is signal ground for both connectors. This unit is powered by the signals on pins 7(RTS), 4(DTR), and 3(TD). These handshake lines can be in either the high or low condition, but must be present to power the converter. The unit can work at baud rates up to 115.2 kbps.

It is important that TTL/CMOS logic, and only TTL/CMOS logic (0 to +5 VDC) is used for the TTL/CMOS side of the converter. The maximum sinking current for one TTL/CMOS output is 3.2 mA. The maximum source current for one TTL/CMOS is 1 mA. Signal levels are inverted by the converter. Please refer to table below.

Polarity

TTL/CMOS Input	RS-232 Output
Low (< .8V)	+5V minimum, +9V typical
High (> 2V)	-5V minimum, -+9V typical
RS-232 Input	TTL/CMOS Output
Low (< .2V)	+3.45V minimum, +4.6V typical
High (> 2.4V)	+.55V maximum, +.1V typical

Black Box Corporation - 1000 Park Drive - Lawrence, PA 15055-1018
 Tech Support and Ordering: 724-746-5500 - Fax: 724-746-0746
 To contact us about Black Box products or services: info@blackbox.com



Model Number:	IC1157A
Description:	4-Channel RS-232 to TTL/CMOS Converter
Type:	Light industrial ITE equipment
Application of Council Directive:	89/336/EEC
Standards:	EN 50082-1:1998 EN 61000 (-4-2, -4-3, -4-4, -4-6) ENV 50204

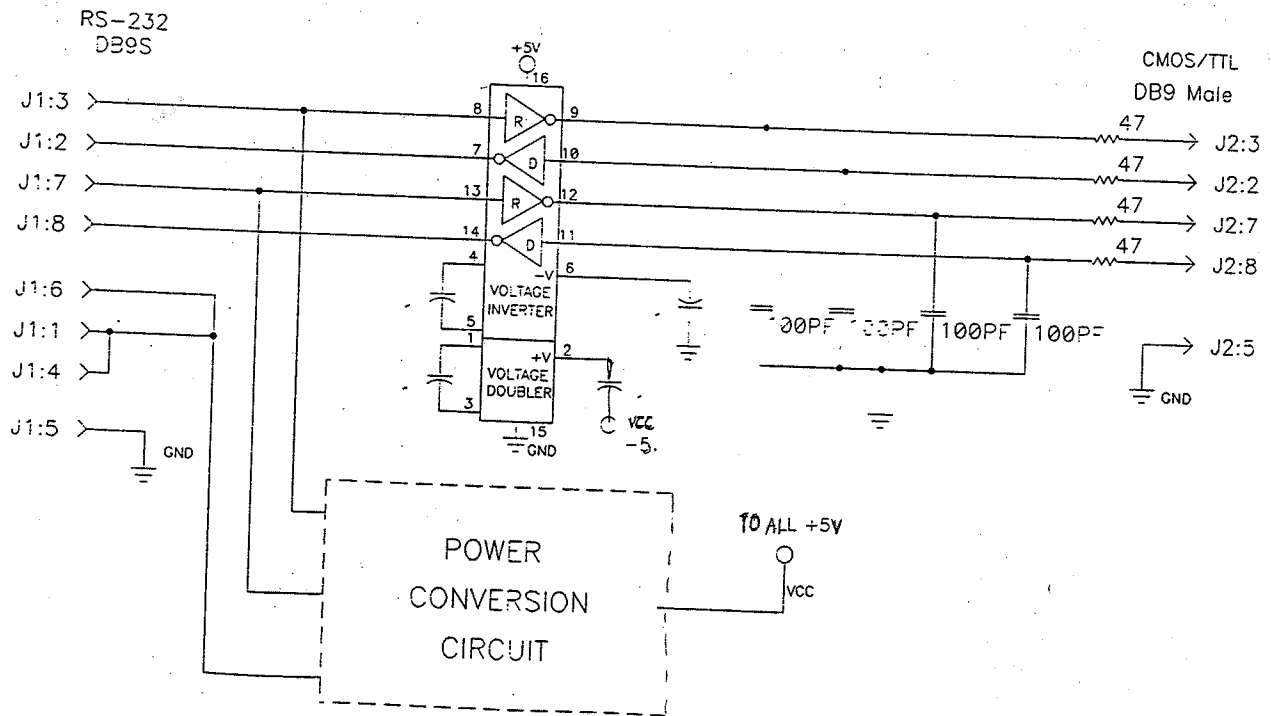


Note: Male DB9 Connectors are sized slightly larger outside

Specifications

Supply Voltage:
Temperature Range:
Data Rates:

Port Powered
0°C to 70°C
Up to 115.2 kbps



Black Box Corporation - 1000 Park Drive - Lawrence, PA 15055-1018
 Tech Support and Ordering: 724-746-5500 - Fax: 724-746-0746
 To contact us about Black Box products or services: info@blackbox.com