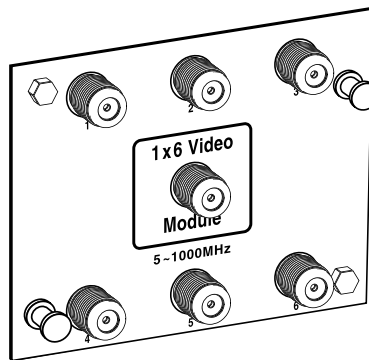




Pure Home Networking Bidirectional CATV 1 x 4-, 6-, or 8-Port, 1-GHz Video Splitter Modules



1. Specifications

Frequency: 1 GHz

Connectors: JHN2040A: (5) F-type;
JHN2042A: (7) F-type;
JHN2044A: (9) F-type

Size: 3"H x 6.3"W (7.6 x 16 cm)

Weight: 0.5 lb. (0.2 kg)

2. Overview

The Pure Home Networking Bidirectional CATV 1 x 4-, 6-, or 8-Port, 1-GHz Video Splitter Modules should be installed in one of the Pure Home Networking Boxes (JHN1014A, JHN1020A, JHN1030A, or JHN1040A). The 1 x 6-port module (JHN2042A) is shown above.

The modules carry four, six, or eight modulated standard inbound video signals from VCRs, digital cable, DVDs, or CATV sources. And since they're bidirectional, the modules support four, six, or eight outbound ports from each input. All three models operate at 1-GHz frequency, so they work with standard TV/cable.

3. Installation

3.1 Tools You'll Need

- Coaxial wire strippers
- Coaxial connectors
- Coaxial crimpers
- Wire cutters

3.2 Cable Handling Guidelines

- Do not route telephone cables through the same cable holes as the AC power cables.
- For safety, separate all telephone cables from parallel AC power lines by at least 6 inches (15.2 cm) whenever possible. Avoid kinking the cable.
- Do not attach cable tie-downs too tightly. The cable-fastening hardware should not compress the cable sheath.
- Do not bend the cable sharply. Place the cables properly in the cable management after passing them through the holes, since the edges of the hole can compress or damage the cable sheath.
- When installing an individual module in the Pure Home Networking Box, place it above or below the interfacing module (if possible). This will eliminate excessive cable crossing.
- For your safety, do not use this or any electrical product near water (unless it is specifically designed for wet areas). Do not install wiring during thunder and lightning storms.
- Use caution when handling or installing any computer, telephone, video, or electrical devices.

3.3 Attaching a Module to the Module Bracket

Using the MDU Module Bracket with (2) MDU and (1) CATV Module Openings, 1 Unit, Full Size (JHN2030A) is optional. To install it, snap the module into the bracket. Then press the pushbuttons on the bracket to lock the module in place. If you choose not to use the module bracket, go straight to **Section 3.4**.

3.4 Installing a Module in the Pure Home Networking Box

1. Determine the area for installation.
2. Position the metal tabs on the left side of the module at a 45-degree angle and slide them into the rail holes on the Pure Home Networking Box.
3. Insert the metal tabs on the right side of the module into the rail.
4. Press the button to fasten the module to the Pure Home Networking Box.

3.5 Removing a Module from the Pure Home Networking Box

1. Press the button and hold it in while pulling the module from the Pure Home Networking Box.
2. Swing the module out.

3.6 Connecting the Cables to the Coaxial Video Modules

There are two types of coaxial cable installations, deluxe and premium. Which one you use depends on your individual requirements.

3.6.1 DELUXE CONFIGURATION

The deluxe configuration is simply taking a single inbound video line and splitting it out to up to eight individual outlets. You'll need only a Bidirectional CATV Video Splitter Module (JHN2040A, JHN2042A, or JHN2044A).

1. Connect the inbound video line and attach it to the center inbound post.
2. Connect the outbound connectors to the individual outlets.
3. Join the cables neatly together with cable ties using the cable management anchoring points within the enclosure.

Figure 3-1 shows a deluxe configuration application.

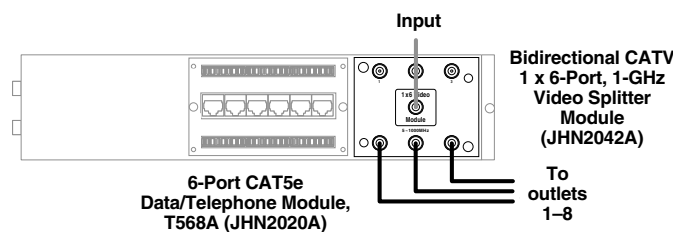


Figure 3-1. Deluxe setup.

PURE HOME NETWORKING BIDIRECTIONAL CATV 1-GHZ VIDEO SPLITTER MODULE

3.6.2 PREMIUM CONFIGURATION

The premium configuration is done when combining multiple input devices such as DVD players, VCRs, or surveillance cameras and distributing them to eight individual outlets. You might need a video modulator for multiple inputs.

You will use a combination of a Pure Home Networking 1 x 2-Port Video Combiner (Passive) Module (JHN2046A), a 1 x 8-Port Bidirectional Video CATV Splitter (Passive) Module (JHN2048A), a Bidirectional CATV Video Splitter Module (JHN2040A, JHN2042A, or JHN2044A), and a Video Signal Booster, 1-Port Module (JHN2060A).

For best results, start from the top and work down.

1. Install a Bidirectional CATV 1-GHz Video Splitter Module and connect all incoming devices.
2. Next, install the 1 x 2-Port Video Combiner (Passive) Module and connect a coax jumper cable from the center post of the Video Combiner Module.
3. Connect digital or analog cable to the CATV IN post on the Video Combiner Module.
4. Connect a coax jumper from the outbound post of the Video Combiner Module.
5. Install the Video Signal Booster Module by connecting a cable from the Video Combiner Module's outbound post to the booster input.
6. From the Video Signal Booster Module signal output, connect to the center post of the 1 x 8-Port Bidirectional Video CATV Splitter (Passive) Module and then connect the outbound cables leading to the outlets. (Supports up to eight outlets.)

7. Join the cables neatly together with cable ties using the cable management anchoring points within the enclosure.
8. Connect the power adapter to the power input on the booster. Once the connections are secure, plug the adapter into the 110 power outlet.

NOTE

Ground the booster to the bottom of the box by using a grounding wire (16 AWG). Do not connect the power to the booster until all connections are made.

Figure 3-2 shows a premium configuration application.

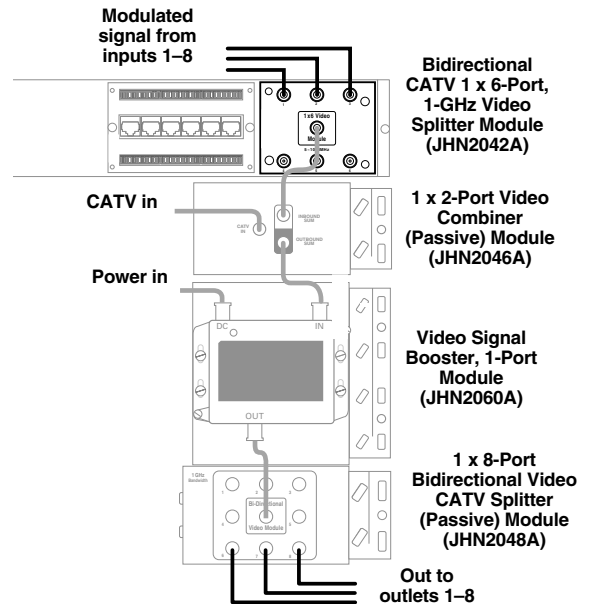


Figure 3-2. Premium setup.

Any trademarks mentioned in this manual are acknowledged to be the property of the trademark owners.



© Copyright 2005. Black Box Corporation. All rights reserved.

1000 Park Drive • Lawrence, PA 15055-1018 • 724-746-5500 • Fax 724-746-0746