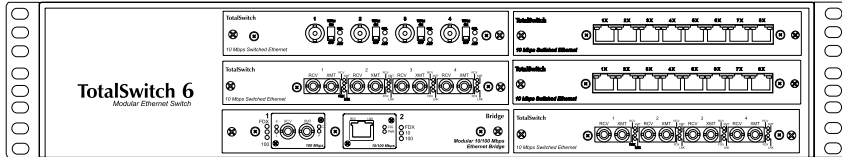


TotalSwitch 6

Installation Guide

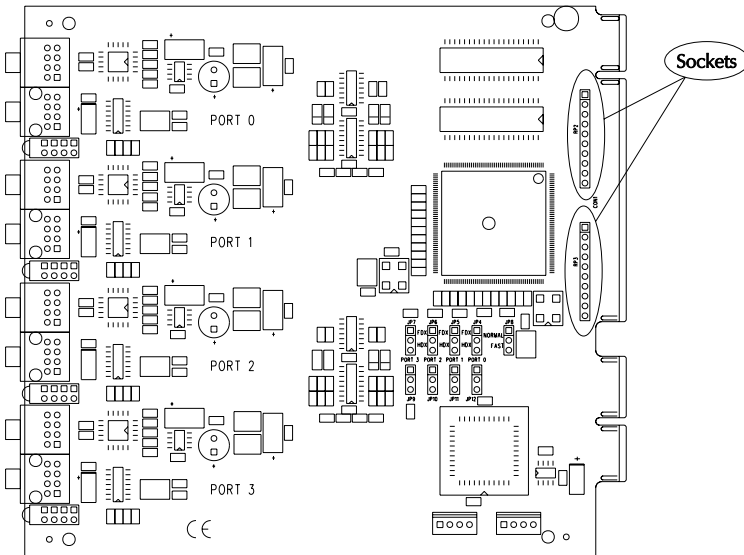
LB6000A

TotalSwitch 6 is a 2U high, modular, rack-mountable chassis designed with slots for installing from one to six *Bridge Modules* and/or *TotalSwitch 6 10-Mbps Modules* (referred to as *TotalSwitch Modules* throughout the rest of this manual). *TotalSwitch 6* chassis include an internal, fixed 95/240 VAC power supply.

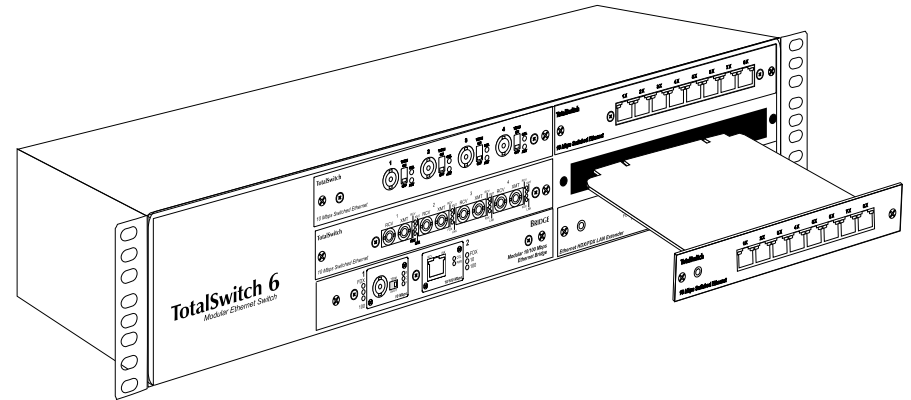


Installing a Module in a TotalSwitch 6

Before installing, each module may need to be configured for various features. Refer to the installation manual included with the module for details. Also, each module installed in a *TotalSwitch 6* must have the resistor packs removed from the sockets on the rear of the PCB (lift the resistor pack from the socket). The following diagram shows where the sockets are located on a *TotalSwitch Module*. Sockets on *Bridge Modules* and other *TotalSwitch Modules* are in the same general location.



TotalSwitch 6 chassis come with blank brackets covering the slots where the modules are to be installed. To install a module in a *TotalSwitch 6*, remove the blank bracket by removing the two screws located closest to the outside edges of the bracket. Slide the module straight into the chassis, via the cardguides and avoiding any obstructions, until the module is seated securely in the connector on the backplane. Secure the module to the chassis by tightening the thumbscrews.



NOTE: Before installing a module in a *TotalSwitch 6*, the unit must be powered down; the modules are not “hot swappable”.

TotalSwitch Modules can be installed in any available slot. For proper addressing, *Bridge Modules* must be installed in the two bottom slots on the left. If only one *Bridge Module* is installed, it must be installed in the bottom, left slot.

NOTE: Before installation in a *TotalSwitch 6*, all *Bridge Modules* must have two 100-Mbps Modules installed. If you need to reconfigure the *Bridge Module* at a later date, remove the module from the *TotalSwitch 6*, then remove the 100-Mbps Module(s) and replace with the desired one(s). Then re-install the *Bridge Module*.

Installing a TotalSwitch 6

Once modules are installed, attach the cables between the *TotalSwitch 6* and each device that will be interconnected then plug the unit into a reliable, filtered power source.

NOTE: A reset button is located on the back of the chassis for resetting the unit.

Customer Service Information

Call: (724) 746-5500 7:00 AM Monday to midnight Friday;
8:00 AM to 4:00 PM Saturday (EST)

Fax: (724) 746-0746 or in North America **1-800-321-0746**

Mail order: Black Box Corporation, 1000 Park Drive,
Lawrence, PA 15055-1018

Technical Support, phone and fax orders 24 hours a day

* Contact Black Box Corporation for warranty information.

Federal Communications Commission Radio Frequency Interference Statement

This equipment generates, uses, and can radiate radio frequency energy that may cause interference to radio communication if not installed and used in strict accordance with the manufacturer's instructions. It has been tested and found to comply with the limits for a Class A computing device in accordance with the specifications in Subpart J of Part 15 of FCC rules, which are designed to provide reasonable protection against such interference when the equipment is operated in a commercial environment. Operation of this equipment in a residential area is likely to cause interference, in which case the user at his own expense will be required to take whatever measures may be necessary to correct the interference.

Changes or modifications not expressly approved by the party responsible for compliance could void the user's authority to operate the equipment.

This digital apparatus does not exceed the Class A limits for radio noise emission from digital apparatus set out in the Radio Interference Regulation of the Canadian Department of Communications.

Le présent appareil numérique n'émet pas de bruits radioélectriques dépassant les limites applicables aux appareils numériques de classe A prescrites dans le Règlement sur le brouillage radioélectrique publié par le ministère des Communications du Canada.

NOTE: Modules are FCC approved and UL, TUV/GS and CE certified only when installed in a Black Box chassis.

Safety Certifications

UL: Listed to UL1950 and CSA 22.2, No. 950, Safety of Information Technology Equipment, Including Electrical Business Equipment.

TUV/GS: Certified to EN 60 950, Safety of Information Technology Equipment, Including Electrical Business Equipment.

CE: The products described herein comply with the Council Directive on Electromagnetic Compatibility (89/336/EEC) and the Council Directive on Electrical Equipment Designed for use within Certain Voltage Limits (73/23/EEC). For further details, contact Black Box.



1000 Park Drive • Lawrence, PA 15055-1018 USA

TEL: (724) 746-5500 • FAX: (724) 746-0746

EMAIL: info@blackbox.com

WEB: <http://www.blackbox.com>

© 1998 Black Box Corporation. All rights reserved.

The information in this document is subject to change without notice. Black Box Corporation assumes no responsibility for any errors that may appear in this document. Specific brands and product names may be trademarks and are the property of their respective companies.

Document Number 56-80500BB-00 A0

September 1998