



JULY 2001

LE073A-R2	LE171
LE074A-R2	LE172
LE075A-R2	LE175
LE076A	

Addendum

Modular Parallel Adapters and Modular Media Units

This addendum contains important changes to your April 2000 manual. Please keep this addendum with that manual for easy reference.

In error, we accidentally placed the arrow and callout for Figure 3-5 (page 19) by the wrong connector. Please refer to the illustration on the back of this page for correct placement.

We apologize for any inconvenience this may have caused.

CUSTOMER SUPPORT INFORMATION

Order **toll-free** in the U.S.: Call **877-877-BBOX** (outside U.S. call **724-746-5500**)
FREE technical support 24 hours a day, 7 days a week: Call **724-746-5500** or fax **724-746-0746**
Mailing address: **Black Box Corporation**, 1000 Park Drive, Lawrence, PA 15055-1018
Web site: www.blackbox.com • E-mail: info@blackbox.com

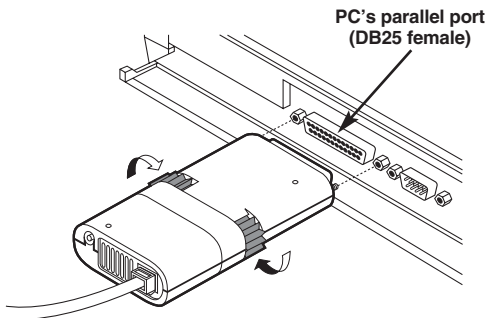


Figure 3-5. Plugging the Adapter into the computer.

© Copyright 2001. Black Box Corporation. All rights reserved.

1000 Park Drive • Lawrence, PA 15055-1018 • 724-746-5500 • Fax 724-746-0746