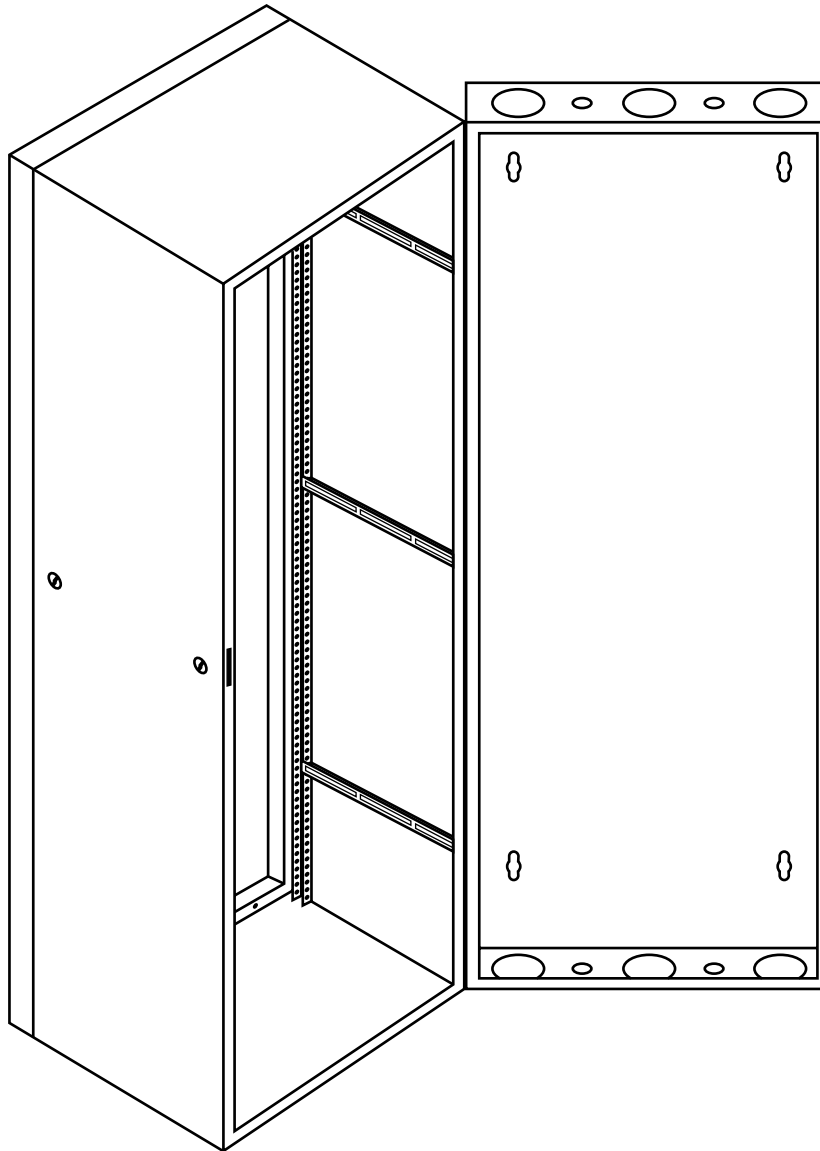


The Wallmount Cabinets do not come with shelves. Any 19-inch removable shelf will fit inside the cabinet. If you need help selecting shelves for your cabinet, call Black Box at 724-746-5500 and ask about rack accessories.



**Figure 2.** Once the rear door is mounted on the wall, the entire cabinet will pivot outward for easy access to the back of the equipment.

© Copyright 2000. Black Box Corporation. All rights reserved.



**BLACK BOX**<sup>®</sup>  
NETWORK SERVICES



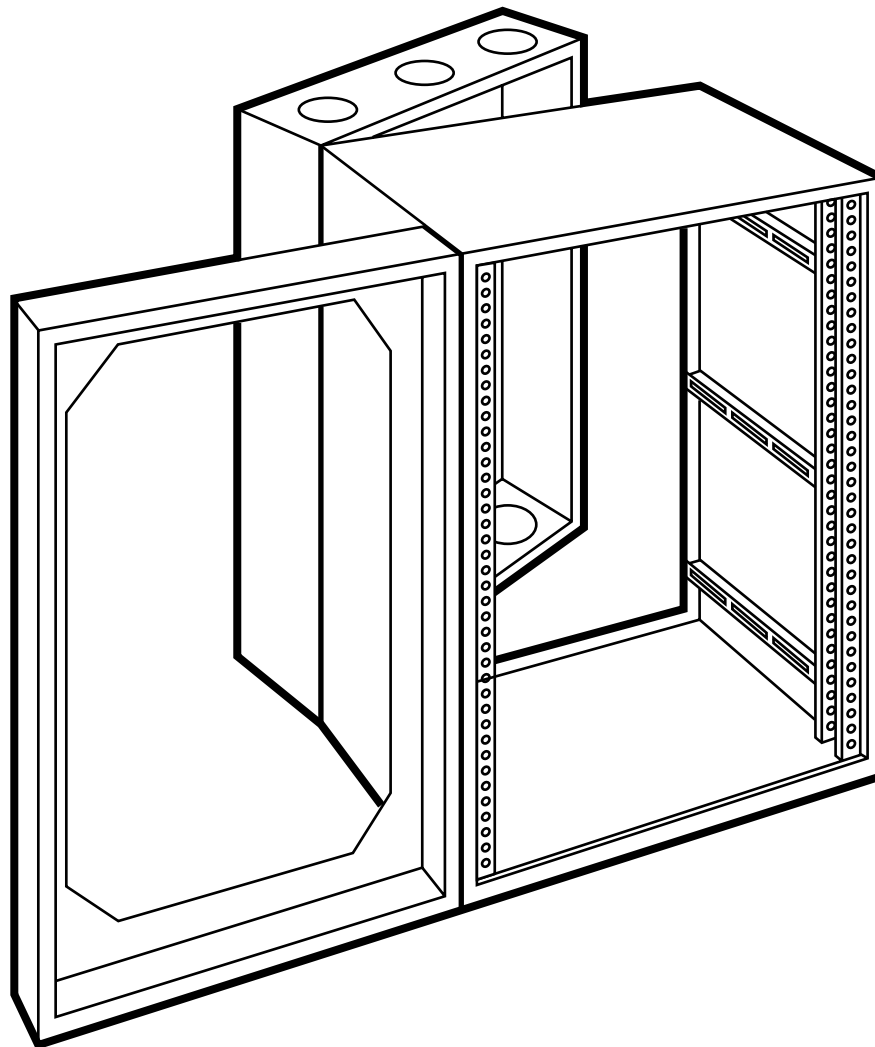
JULY 2000

RM231A	RM250	RM433A
RM232A	RM334A	RM434A
RM233A	RM335A	RM435A
RM234A	RM336A	RM436A
RM235A		

# 12U Wallmount Cabinets

# 20U Wallmount Cabinets

# 26U Wallmount Cabinets



**CUSTOMER  
SUPPORT  
INFORMATION**

Order toll-free in the U.S.: Call **877-877-BBOX** (outside U.S. call **724-746-5500**)  
FREE technical support 24 hours a day, 7 days a week: Call **724-746-5500** or fax **724-746-0746**  
Mailing address: **Black Box Corporation**, 1000 Park Drive, Lawrence, PA 15055-1018  
Web site: [www.blackbox.com](http://www.blackbox.com) • E-mail: [info@blackbox.com](mailto:info@blackbox.com)

# 1. Specifications

**Fan**—Diameter: 6.77" (17.2 cm); Depth: 2" (5.1 cm); CFM: 250; Voltage: 115 VAC; Watts: 35

**Construction**—Heavy-duty 14- and 16-gauge steel; textured finish with polyurethane baked-on paint

**Rack Units**—RM232A, RM233A, RM334A, RM335A: 12U; RM433A, RM434A, RM435A, RM436A: 20U; RM231A, RM234A, RM235A, RM336A: 26U

**Weight**—RM334A, RM335A: 75 lb. (34 kg); RM232A, RM233A: 89 lb. (40.4 kg); RM433A, RM434A: 93 lb. (42.3 kg); RM231A, RM336A: 109 lb. (49.4 kg); RM435A, RM436A: 111 lb. (50.5 kg); RM234A, RM235A: 130 lb. (59 kg)

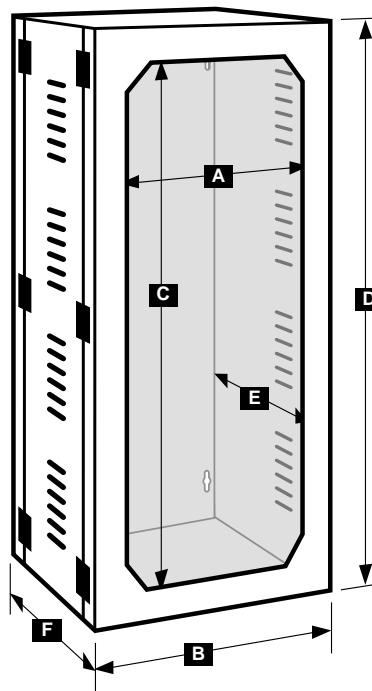


Figure 1. Size Specifications.

Table 1. Size Specifications

	12U Cabinets (24")		20U Cabinets (37")		26U Cabinets (48")	
	RM334A, RM335A	RM232A, RM233A	RM433A, RM434A	RM435A, RM436A	RM336A, RM231A	RM234A, RM235A
(1) Hole to Hole	18.31" (46.5 cm)		18.31" (46.5 cm)		18.31" (46.5 cm)	
(B) Overall Width	21.25" (54 cm)		21.25" (54 cm)		21.25" (54 cm)	
(C) Usable Height	21" (53.3 cm)		35" (88.9 cm)		45.5" (115.6 cm)	
(D) Overall Height	23.13" (58.8 cm)		37.13" (94.3 cm)		48.13" (122.3 cm)	
(E) Inside Depth	14.15" (35.9 cm)	20.15" (51.2 cm)	14.15" (35.9 cm)	20.15" (51.2 cm)	14.15" (35.9 cm)	20.15" (51.2 cm)
(F) Overall Depth	20.15" (51.2 cm)	26" (66 cm)	20.15" (51.2 cm)	26" (66 cm)	20.15" (51.2 cm)	26" (66 cm)

## 2. Introduction

### 2.1 Available Models

Product Code	Product Name
RM232A	Wallmount Cabinet, 12U, 24"H x 20"D, Black
RM233A	Wallmount Cabinet, 12U, 24"H x 20"D, Ivory
RM335A	Wallmount Cabinet, 12U, 24"H x 26"D, Black
RM334A	Wallmount Cabinet, 12U, 24"H x 26"D, Ivory
RM433A	Wallmount Cabinet, 20U, 37"H x 20"D, Black
RM434A	Wallmount Cabinet, 20U, 37"H x 20"D, Ivory
RM435A	Wallmount Cabinet, 20U, 37"H x 26"D, Black
RM436A	Wallmount Cabinet, 20U, 37"H x 26"D, Ivory
RM234A	Wallmount Cabinet, 26U, 48"H x 20"D, Black
RM235A	Wallmount Cabinet, 26U, 48"H x 20"D, Ivory
RM336A	Wallmount Cabinet, 26U, 48"H x 26"D, Black
RM231A	Wallmount Cabinet, 26U, 48"H x 26"D, Ivory

### 2.2 Description

These wall-hung cabinets are the perfect solution when space is a problem. Choose from three rack-unit sizes (12, 20, or 26) and two front-to-back depths (20" or 26"D). The units are designed to house 19-inch rack equipment, and the  $\frac{1}{32}$ " and  $\frac{1}{24}$ " tapped holes in the mounting rails (2 are included) provide a secure fit for a wide variety of rackmount items. The cabinet's durable frame, which supports up to 75 pounds, is made of 14- and 16-gauge steel with a textured finish and polyurethane-baked paint. Your cabinet should arrive fully assembled.

Additional features include:

- Four  $\frac{1}{8}$ " -  $\frac{7}{8}$ " knockouts, located on the top and bottom of the unit, provide easy wire and cable access. They also ensure against unsightly wires hanging out of the cabinet.
- Louvered side panels provide extra ventilation.
- Symmetrically hinged doors allow for left or right access. Once it's mounted properly, the entire cabinet swings out (away from the wall) to give you access to equipment from the rear. (See **Figure 2**.)
- Front and rear locking doors provide security for expensive equipment.
- Keyhole wall-mounting locations are spaced at 16" to match standard stud locations.
- Completely assembled with small latch gates or cable hangers.

### 2.3 Accessories

An optional 250-CFM exhaust fan (product code RM250) is available. It includes an 80" (203.2-cm) power cord and finger guards on both the top and bottom. To install it, simply punch out the fan panel in the top of the cabinet, then insert the fan.