



© Copyright 2000. Black Box Corporation. All rights reserved.

1000 Park Drive • Lawrence, PA 15055-1018 • 724-746-5500 • Fax 724-746-0746



NetRack

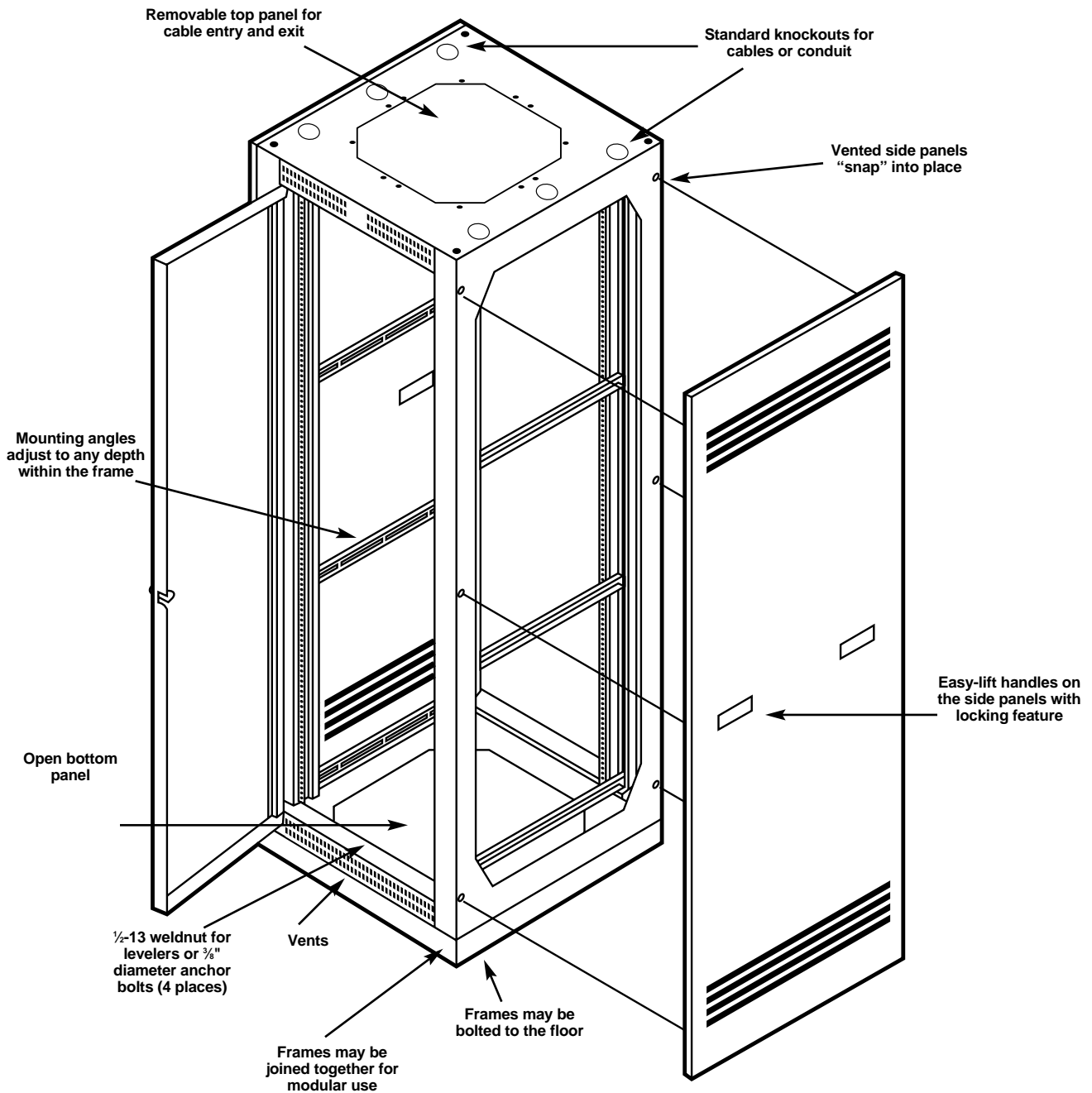
What You Should Have Received

Please take a moment to make sure that you received everything that's included with your order. Each product is described below.

- RM500A-R2:** (1) NetRack, black. The Rack is 85"H x 26"W x 32"D (215.9 x 66 x 81.3 cm). It consists of a welded frame with 2 sets of adjustable rails, a full-length steel rear door with a lock, and 2 perforated shelves. It also has vented, lift-off side panels, a removable top panel, an open bottom for wire/cable access, and a locking plexidoor.
- RM501-R2:** (1) Top fan panel, black.
- RM502:** (2) Bottom-mount tower shelves, black. (For a complete list of the included hardware, see **page 2**.)
- RM503-R2:** (1) 12-gauge-steel caster base with four 3-inch non-locking casters, black.
- RM505A-R2:** (1) NetRack, beige. The Rack is 85"H x 26"W x 32"D (215.9 x 66 x 81.3 cm). It consists of a welded frame with 2 sets of adjustable rails, a full-length steel rear door with a lock, and 2 perforated shelves. It also has vented, lift-off side panels, a removable top panel, an open bottom for wire/cable access, and a locking plexidoor.
- RM506-R2:** (1) Top fan panel, beige.
- RM507:** (2) Bottom-mount tower shelves, beige. (For a complete list of the included hardware, see **page 2**.)
- RM508-R2:** (1) 12-gauge-steel caster base with four 3-inch non-locking casters, beige.

The NetRack

These fully welded and assembled racks are constructed of heavy 12-gauge steel. The mounting angles, also made of 12-gauge steel, are tapped with #10-32 thread in the E.I.A. RS 310-D universal pattern. There's ample space inside the frame sides for cabling, so large bundles of wire and cable fit without a problem. Plus, there's a locking door with a "slam latch" that provides quick access and security. And the doors can easily be changed from left- to right-opening with a quick-release pin.



Bottom-Mount Tower Shelves (RM502, RM507)

The following items are included with the RM502 or RM507.

Table 1. Items included with the RM502 or RM507

Key	Description	Quantity
1	Support plate	4
2	¼-20 x ½" hexbolt	8
2A	¼-20 x ½" carriage bolt	8
3	¼-20 hexnut	8
4	Slide bracket	4
5	Slide assembly	4
6	10-32 x ⅜" panhead screw (included with slide)	8
7	10-32 hexnut (included with slide)	8
8	10-32 x ⅝" cuphead screw	16
9	Shelf assembly	2

You must supply the following tools:

- ⅜" nutdriver or socket
- ⅞" socket and ratchet
- ⅞" end wrench

NOTE

Shelves may be installed to slide out toward the front or the rear of the cabinet, whichever you prefer.

1. Attach support plates (item 1) to the cabinet base. Make sure that the flange is oriented as shown in **Figure 1**, and attach it using ¼-20 x ½" hexbolts (item 2) or ¼-20 x ½" carriage bolts (item 2A) and ¼-20 hexnuts (item 3). If the unit has round holes, use item 2. If the unit has square holes, use item 2A. Tighten the hardware securely. Repeat for remaining plates.

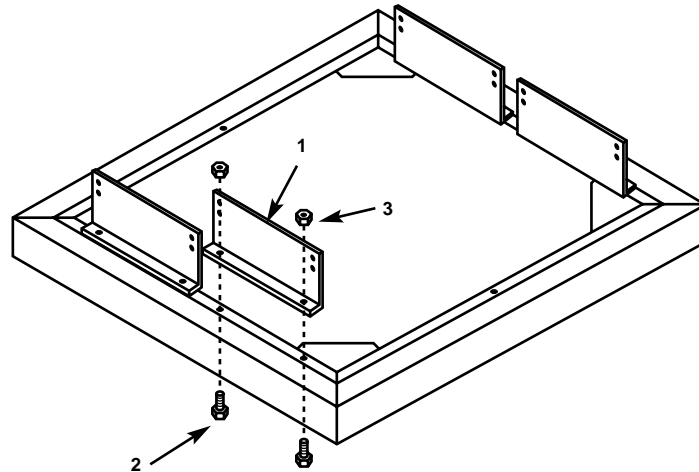


Figure 1. Attaching support plates to the cabinet base.

- 2a. Loosely attach the slide bracket (item 4) to the rear of the slide (item 5) as shown below, using two 10-32 x $\frac{3}{8}$ " panhead screws (item 6) and two 10-32 hexnuts (item 7). **Do not tighten at this time.**

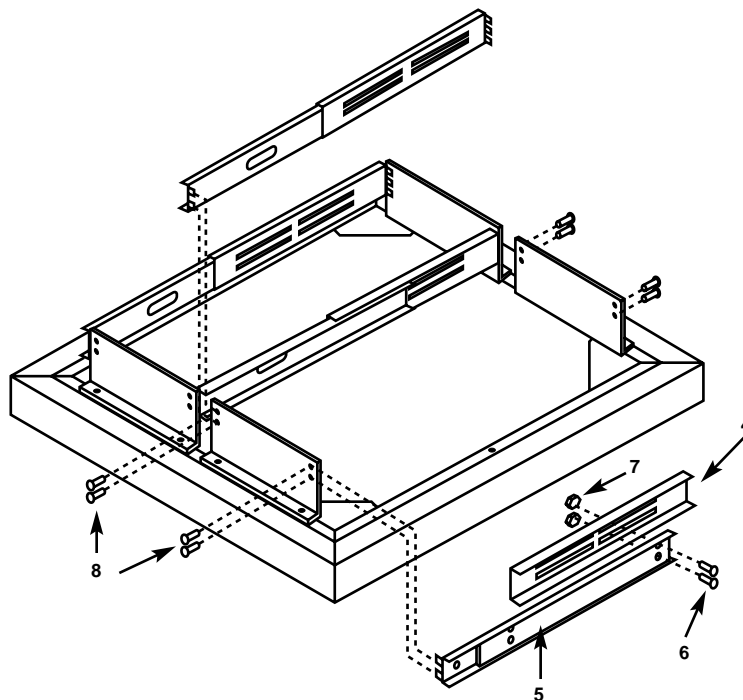


Figure 2. Attaching the slide bracket to the rear of the slide.

- 2b. Extend the slide/bracket assembly so that it will extend around the outside of the support plates installed in step 1. Attach the slide/bracket assembly to support plates with four 10-32 x $\frac{3}{8}$ " cuphead screws (item 8) and tighten securely. (Keep the slide/bracket assembly tight against the side of the support plate when tightening.)
- 2c. Tighten the screws and hexnuts installed in step 2a.
- 2d. Repeat 2a, 2b, and 2c for the remaining slides.

- 3a. Extend the inner slide members of slides to the front of the unit until they lock in place. Take the shelf assembly (item 9) and carefully insert slide members attached to the inside of the shelf into extended slide members. Slide the drawer all the way to the rear of the cabinet to engage.

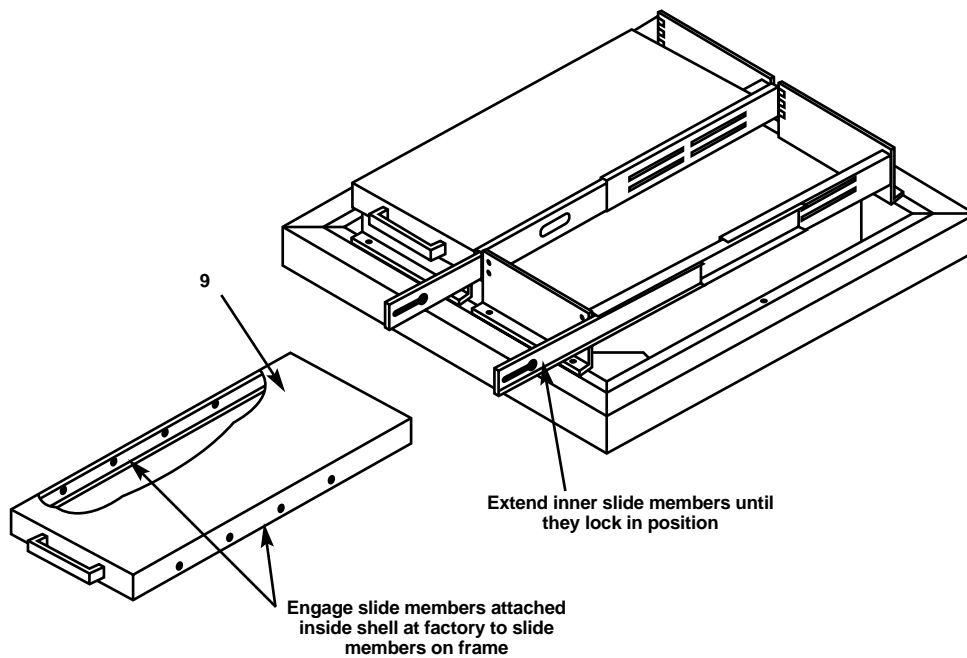


Figure 3. Sliding the drawer into the cabinet.

- 3b. Test the shelf by extending and retracting to assure proper engagement.

TRADEMARKS

Any trademarks mentioned in this manual are acknowledged to be the property of the trademark owners.