



NetRack

What You Should Have Received

Please take a moment to make sure that you received everything that's included with your order. Each product is described below.

RM500A-R3 (black), **RM505A-R3** (beige):

(1) NetRack, 85"H x 26"W x 32"D (215.9 x 66 x 81.3 cm). It consists of a welded frame with two sets of adjustable rails, a full-length steel rear door with a lock, and two perforated shelves. It also has vented, lift-off side panels, a removable top panel, an open bottom for wire/cable access, and a locking plexidoor.

RM501-R3 (black), **RM506-R3** (beige):

(1) Top fan panel. (For a complete list of the panels' included hardware, see **page 6**.)

RM502-R2 (black), **RM507-R2** (beige):

(2) Bottom-mount tower shelves. (For a complete list of the shelves' included hardware, see **page 3**.)

RM503-R3 (black), **RM508-R3** (beige):

(1) 12-gauge-steel caster base with four 3-inch (7.6-cm) non-locking casters.

RM314 (black, solid), **RM315-R2** (black, vented), **RM615-R2** (beige, vented):

(1) Extra stationary shelf. (For a complete list of the shelves' included hardware, see **page 6**.)

The NetRack

These fully welded and assembled racks (shown in Figure 1) are constructed of heavy 12-gauge steel. The mounting angles, also made of 12-gauge steel, are tapped with #10-32 thread in the EIA RS-310-D universal pattern. There's ample space inside the frame sides for cabling, so large bundles of wire and cable fit without a problem. Plus, there's a locking door with a "slam latch" that provides quick access and security. And the doors can easily be changed from left- to right-opening with a quick-release pin.

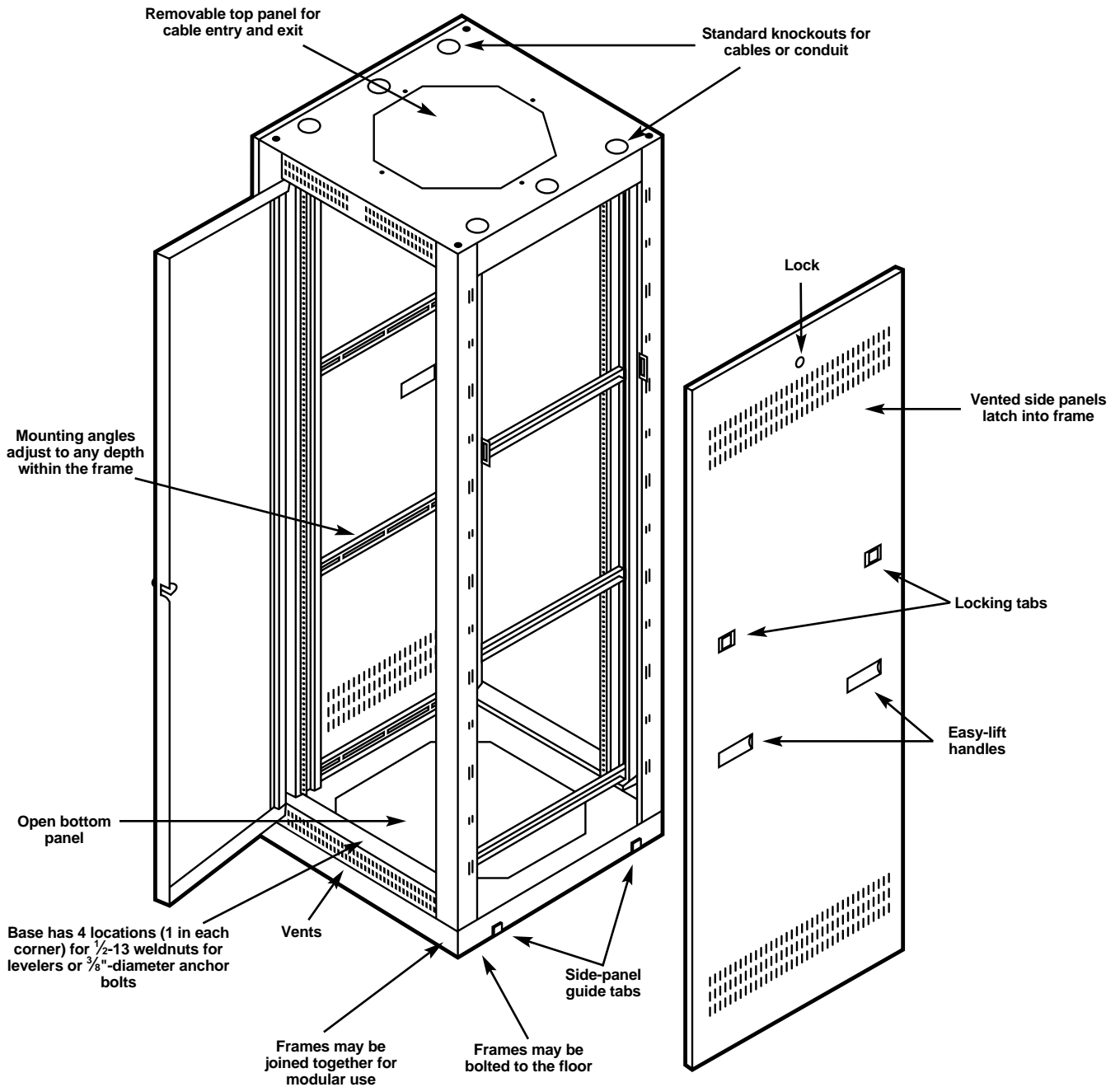


Figure 1. Construction of the NetRack.

Bottom-Mount Tower Shelves (RM502-R2, RM507-R2)

The following items are included with the RM502-R2 or RM507-R2:

- (4) Support plates.
- (8) $\frac{1}{4}$ -20 x $\frac{1}{2}$ " hexbolts.
- (8) $\frac{1}{4}$ -20 hexnuts.
- (4) Slide-bracket assemblies.
- (16) 10-32 x $\frac{1}{2}$ " Phillips panhead screws.
- (2) Shelf assemblies.

You must supply the following tools:

- $\frac{3}{8}$ " nutdriver or socket.
- $\frac{7}{16}$ " socket and ratchet.
- $\frac{7}{16}$ " end wrench.

NOTE

Shelves may be installed to slide out toward the front or the rear of the cabinet, whichever you prefer.

Installing the Bottom-Mount Shelves

1. Attach the included support plates (item 1) to the cabinet base. Make sure that the flange is oriented as shown in Figure 2, and attach it using the included $\frac{1}{4}$ -20 x $\frac{1}{2}$ " hexbolts (item 2) and $\frac{1}{4}$ -20 hexnuts (item 3). Tighten the hardware securely. Repeat for remaining plates.

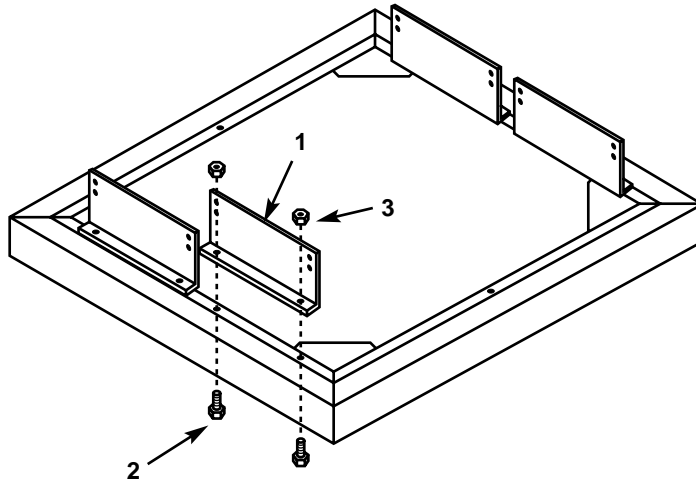


Figure 2. Attaching support plates to the base.

2. One at a time, extend the slide-bracket assemblies (item 4) so they stretch across the base, between the matching pairs of support plates. Attach each assembly to the support plates with four of the included 10-32 x $\frac{1}{2}$ " panhead screws (item 5), as shown in Figure 3. Tighten the screws securely while keeping each assembly tight against the side of the plate.

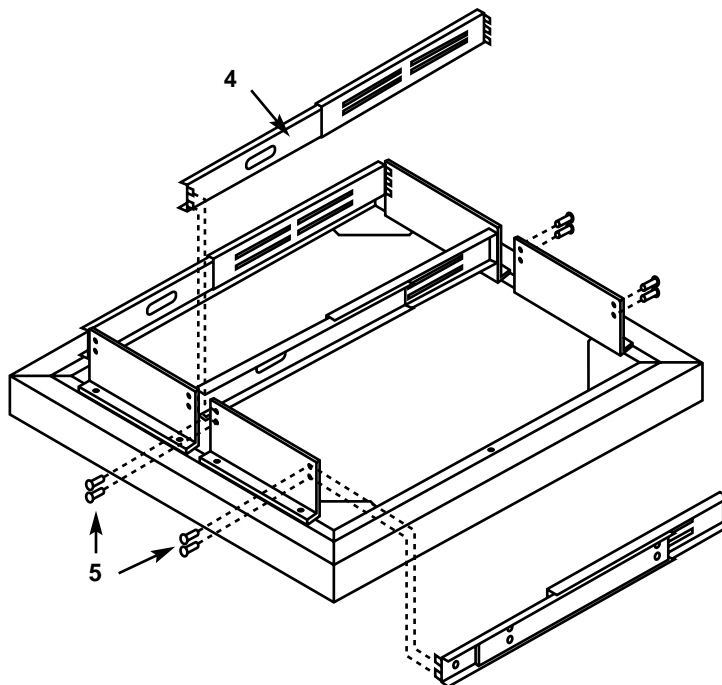


Figure 3. Attaching the slide-bracket assemblies.

3. Extend the inner slide members of the slide assemblies you just installed as far as they'll go, as shown in Figure 4. One at a time, take each shelf assembly (item 6) and slide it onto the the extended slide members, mating them with the slide members attached to the inside of the shelf. Slide the drawer all the way to the rear of the cabinet to engage it.

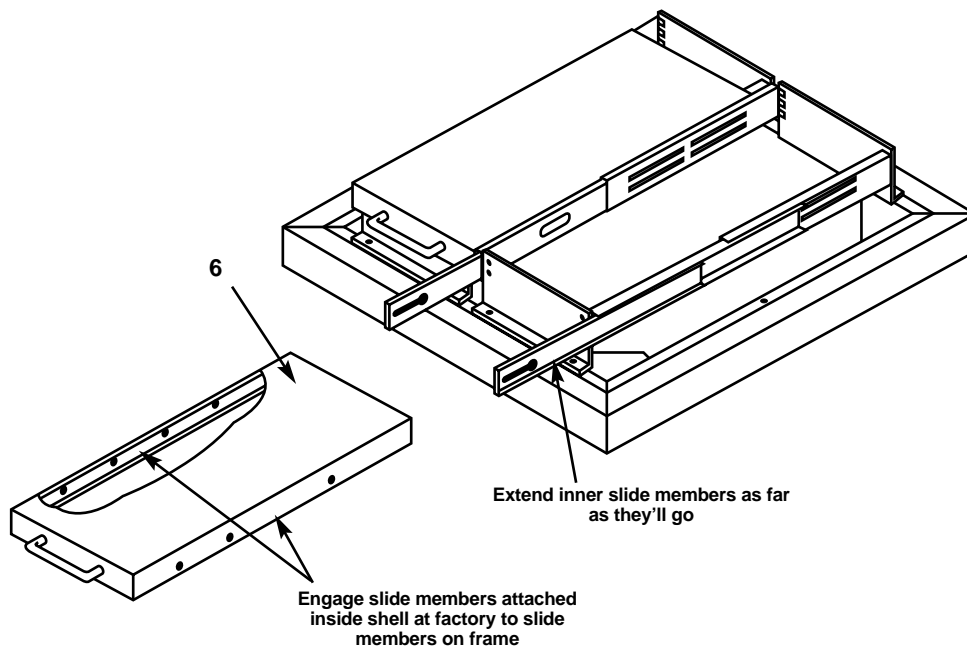


Figure 4. Sliding the drawer into the cabinet.

4. Test the shelf by extending and retracting it to make sure that it's properly engaged with the slide assemblies. If not, take the shelf back out and try to reseat it. When the shelf slides in and out normally, the installation is complete.

Extra Stationary Shelf (RM314, RM315, RM615-R2)

The following items are included with the RM314, RM315, or RM615-R2:

- (4) 10-32 x ½" panhead screws.

You must supply the following tools:

- Phillips screwdriver

To install the Extra Stationary Shelf, mount the shelf in the NetRack and secure it with the included 10-32 x ½" panhead screws.

Top Fan Panel (RM501-R3, RM506-R3)

The following items are included with the RM501-R3 or RM506-R3:

- (4) 8-32 x ⅜" panhead screws

You must supply the following tools:

- Phillips screwdriver

To install the Top Fan Panel in the NetRack:

1. Remove the solid top panel.
2. Insert the Top Fan Panel.
3. Secure the panel with the screws.



© Copyright 2002. Black Box Corporation. All rights reserved.

1000 Park Drive • Lawrence, PA 15055-1018 • 724-746-5500 • Fax 724-746-0746