

Specifications

Output—SP194A: (8) 20-amp rear outlets, (1) 15-amp front outlet, 20 amps total load (max.), all outlets switched; SP196A: (8) rear outlets, (1) front outlet, 15 amps total load (max.), all outlets switched

Protection—SP194A: 20-amp circuit breaker located on rear panel, master switch located on the front panel; SP196A: 15-amp circuit breaker located on front panel (master switch), differential plus common mode surge and spike protection, EMI filtered

Construction—16-gauge steel, black powder coat finish

Approvals—UL® listed

Power—SP194A: 115 VAC, 60 Hz, 20-amp circuit, 9-ft. (2.7-m) power cord (12/3), standard NEMA 5-20 male plug; SP196A: 115 VAC, 60 Hz, 15-amp circuit, 9-ft. (2.7-m) power cord (14/3), standard NEMA 5-15 male plug

Size—1.75"H (1 rack unit) x 19"W x 8.75"D (4.5 x 48.2 x 22.2 cm)

Description

These power strips are made of 16-gauge steel, with a black powder coat finish. Both models include a 9-ft. (2.7-m) power cord, and each strip occupies 1U of space.

The SP194A power strip features a rear-panel 20-amp circuit breaker, a front-panel master switch, and a 15-amp front-panel outlet. Power your equipment by connecting it to the eight 20-amp outlets on the rear panel.

Not only does the SP196A provide power for your equipment, it also provides surge and spike protection and EMI filtering. The front panel contains an illuminated combination power switch/circuit breaker and one outlet. On the rear panel, the unit has eight 15-amp outlets.

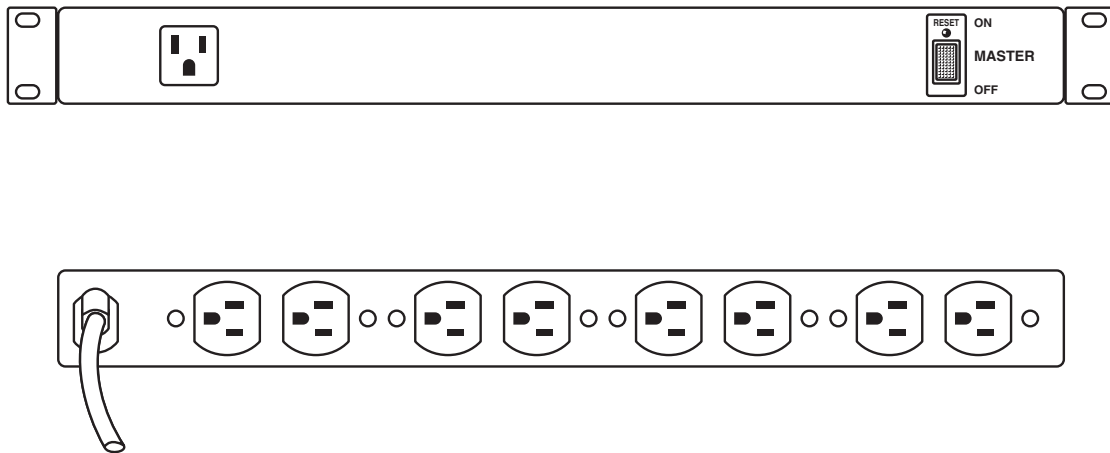
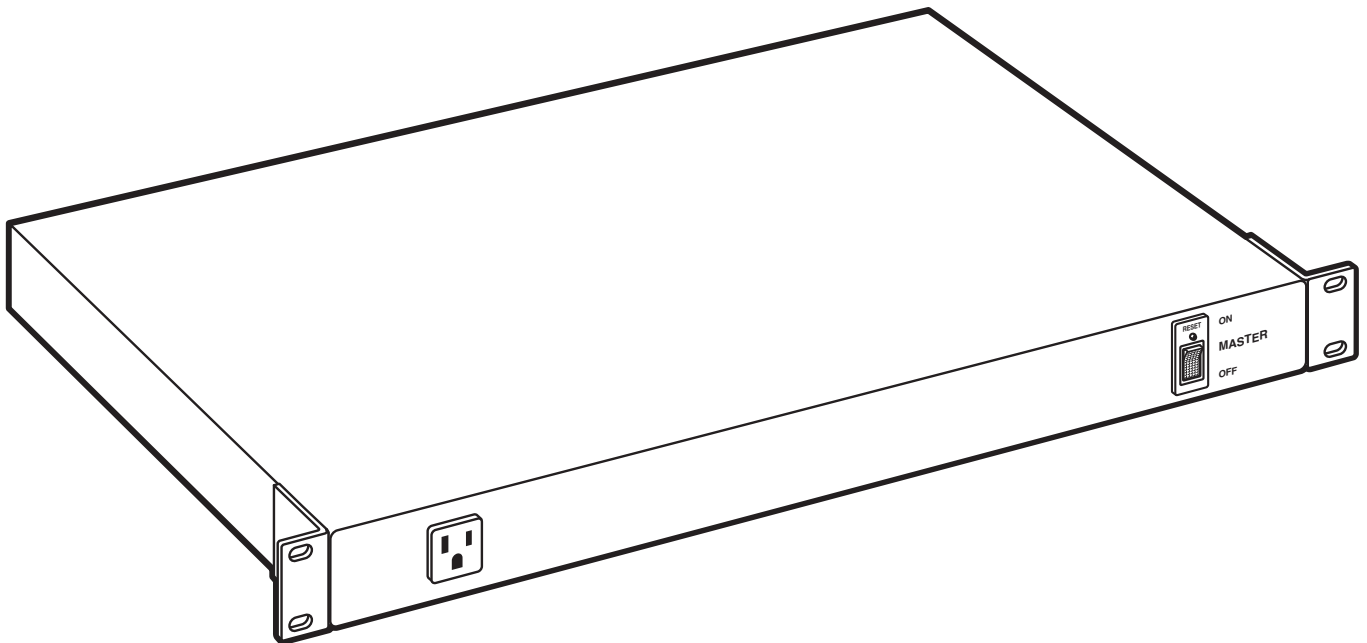


Figure 1. Front and Rear View of the SP196A.



20-Amp Rackmount Power Strip

Rackmount Power



**CUSTOMER
SUPPORT
INFORMATION**

Order **toll-free** in the U.S. 24 hours, 7 A.M. Monday to midnight Friday: **877-877-BBOX**
FREE technical support, 24 hours a day, 7 days a week: Call **724-746-5500** or fax **724-746-0746**
Mail order: **Black Box Corporation**, 1000 Park Drive, Lawrence, PA 15055-1018
Web site: www.blackbox.com • E-mail: info@blackbox.com