

# **BLACK BOX**

**TB1012-R2  
USER GUIDE**

**DIGITAL SERVICES SIMULATOR**

## DIGITAL SERVICES SIMULATOR. MODEL TB1012-R2

## 1. GENERAL DESCRIPTION

This unit enables the direct connection of two synchronous devices having the CCITT X.21 (V11) interface. Four data speeds are selectable by a DIL switch on the rear panel.

The full duplex connection is identical in both directions which means that the unit may be connected either way round in a circuit without affecting its operation. The two interface connectors are identical and are labelled J1 and J2.

## 2. USE

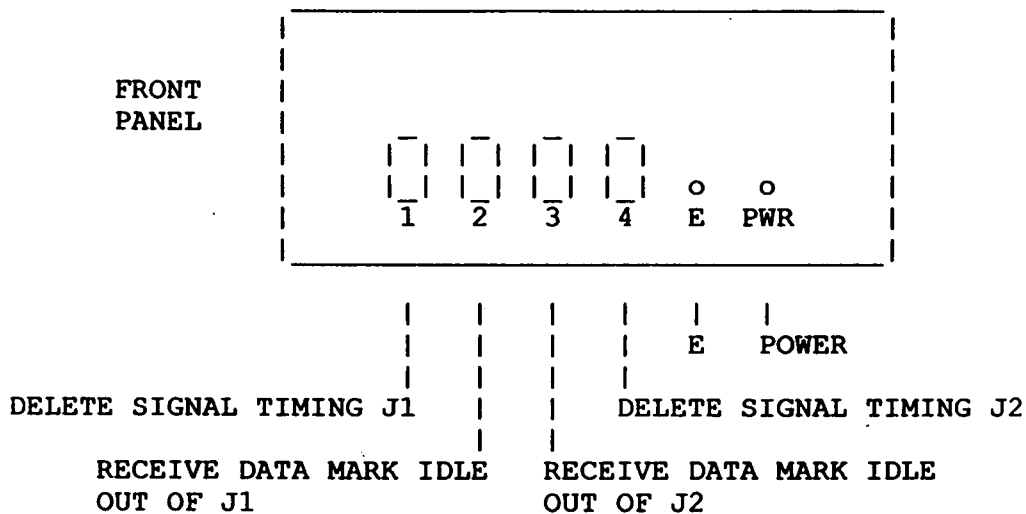
3. Set the data speed to one of the four values 48, 56, 64 or 128 kbps by the rear panel DIL switch as shown below.

SPEED kbps	SWITCH				
	1	2	3	4	
48		o		o	OFF
	o		o		ON
-----					
56		o		o	OFF
			o	o	ON
-----					
64				o	OFF
	o	o	o		ON
-----					
128			o	o	OFF
	o			o	ON

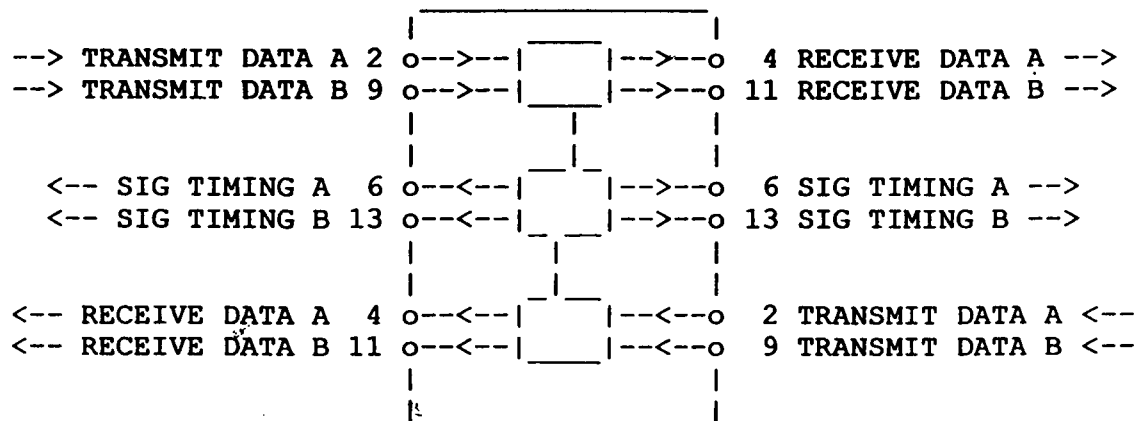
5. Connect the plug mounted power supply to a suitable mains supply, and insert the concentric connector in the socket on the rear panel.
6. Front panel momentary action push button switches are used to set the receive data outputs to the mark idle state, and to delete the signal timing outputs.  
When in the mark idle state a receive data output has pin 12 high and pin 11 low. In the deleted state a timing output has pin 13 high and pin 6 low.
7. Front panel LED indicators are
- "E" flashes when any one of the four front panel test switches is depressed.
- "PWR" indicates that the mains supply is connected.

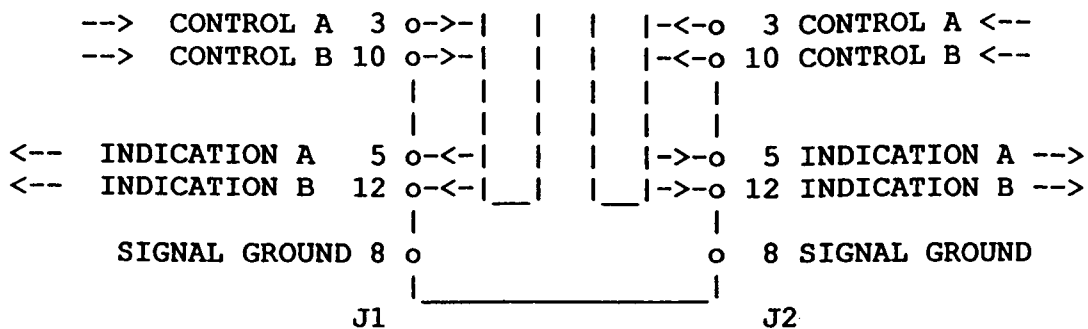
UM1071E2 page 1

4. PHYSICAL LAYOUT



6. BLOCK DIAGRAM SHOWING INTERFACE CONNECTORS J1 AND J2





BOTH CONNECTORS DB15 FEMALE 8 15 1 9 PIN NUMBERS VIEWED FROM MATING PLUG

UM1071E2 page 2

3.MAINTENANCE

For servicing the unit should be returned to the supplier.

7.SPECIFICATIONS

- Weight: Unit 0.6 kg Power supply unit 0.5 kg
- Dimensions in mm: 130 W x 150 D x 60 H excluding plug mounted PSU.
- Mains supply: 240 VAC + - 10% 50 HZ 6 VA Other voltages available.
- Ambient Temperature: 0 to 40 degrees C
- Relative humidity: 5 to 95 % non condensing
- Connectors: Two DB15S female
- Interface: X21 ( V11 )
- Speed: 48, 56, 64, 128 Kbps